



PHOENIX GOLD



Ti365CSX

Ti3CS1TX



Ti365CSX
Ti3CS1TX
OWNER'S MANUAL

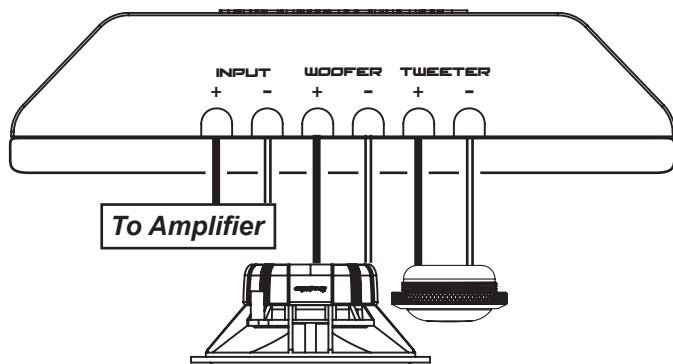
ABOUT OUR DESIGN

Thank you for purchasing the Phoenix Gold Ti365CSX speaker system. It features a 25mm pure silk dome tweeter that resides in an anodized aluminum housing that has been CNC'd from a single block of raw aluminum. The 6.5" midrange also features a dual roll surround that eliminates unwanted resonances, acoustical artifacts and dampens mechanical vibrations. The tweeter and midrange has been specifically engineered with complex FEA analysis that perfectly optimizes the motor structures. Engineering a great tweeter and midrange is not enough to guarantee excellent sound quality. The Ti3x passive crossovers are computer modeled and then real world (in car tested and further tweaked) to provide a seamless transition from the midrange to tweeter.

The overall result is ultra smooth, linear musical output with excellent spectral clarity without delivering overly bright or fatiguing high frequencies commonly found in most car audio component systems. The Ti3x speaker system provides breathtaking dynamic range and precision musical realism.

CROSSOVER WIRING AND INTERNAL SWITCHES

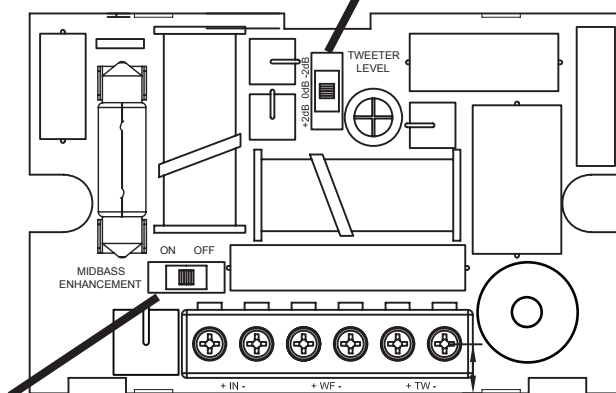
Wiring Connections:



Tweeter Protection: Most component speakers offer a simple one stage "tweeter shut down" for protection. The Ti3x system provides two stages (polyswitch and lightbulb) that variably optimizes the signal to the tweeter when automatically activated. This protection system adapts to the dynamic signal level of the music, so it always provides just the "right" level of protection.

The Ti3x protection circuit is also constantly monitoring the signal without running the signal through these components until the protection circuit is engaged. Most other two stage or complex tweeter protection circuits require the signal to run through these components, this can degrade audio performance. Hey, John C here, just saying hello and many thanks for reading the manual! We will see how many people find this?

Tweeter Level Switch



Midbass Enhancement EQ Switch

Tweeter Level Switch: Allows the tweeter's output level to be adjusted -2dB, 0dB and +2dB.

Midbass Enhancement EQ Switch: If set to "On" this will enhance midbass output and contour down the midrange output. This is the best setting for end users that listen to modern music styles and mostly MP3 material.

Set to "Off" the system will have a truly flat frequency response, perfect for the sound quality competitor or pure audiophile.

For most sound boards, we recommend to set the tweeter to 0dB or +2dB and Midbass Enhancement EQ to "On" for best performance. Results and ears may vary.

TWEETER MOUNTING



Installation Instructions:

1. Find a proper mounting location that is flat and has a mounting depth clearance of roughly 21 mm.
2. Cut a 47mm mounting hole in the door panel or mounting baffle.
3. Mount and secure the tweeter to the door panel or baffle using the threaded retaining nut.
4. Connect the tweeter wires to the amplifier.

TWEETER WIRING NOTE:

BLACK = POSITIVE (+)

BLACK W/WHITE STRIPE = NEGATIVE (-)

SPECIFICATIONS

T/S Parameters:	Ti365CSX
Re (Dcr)	3.6
FS (Hz)	55
Sd (SqM)	.0135
BL TM	5.5
Qms	5.38
Qes	.607
Qts	.545
Vas (liters)	13.24
Cms (uM/N)	581.08
Mms (gms)	15.26

*Midrange Driver Only

**Specifications subject to change

FEATURES:

- 25mm Silk Dome Tweeter
- Fully Machined Aluminum Tweeter Housing
- Dampened Polypropylene Cone
- Smooth Termination Dual Roll Rubber Surround
- Powder Coated Diecast Aluminum Basket
- Custom Tooled Crossover Housing with Direct Wiring Connections
- Audiophile Crossover with Tweeter and Midbass Adjustments
- Two Stage Light Bulb Tweeter Protection Circuitry
- Integrated Phase Plug
- Interwoven Tinsel Leads
- High Temperature CAE/CAD Motor Structure

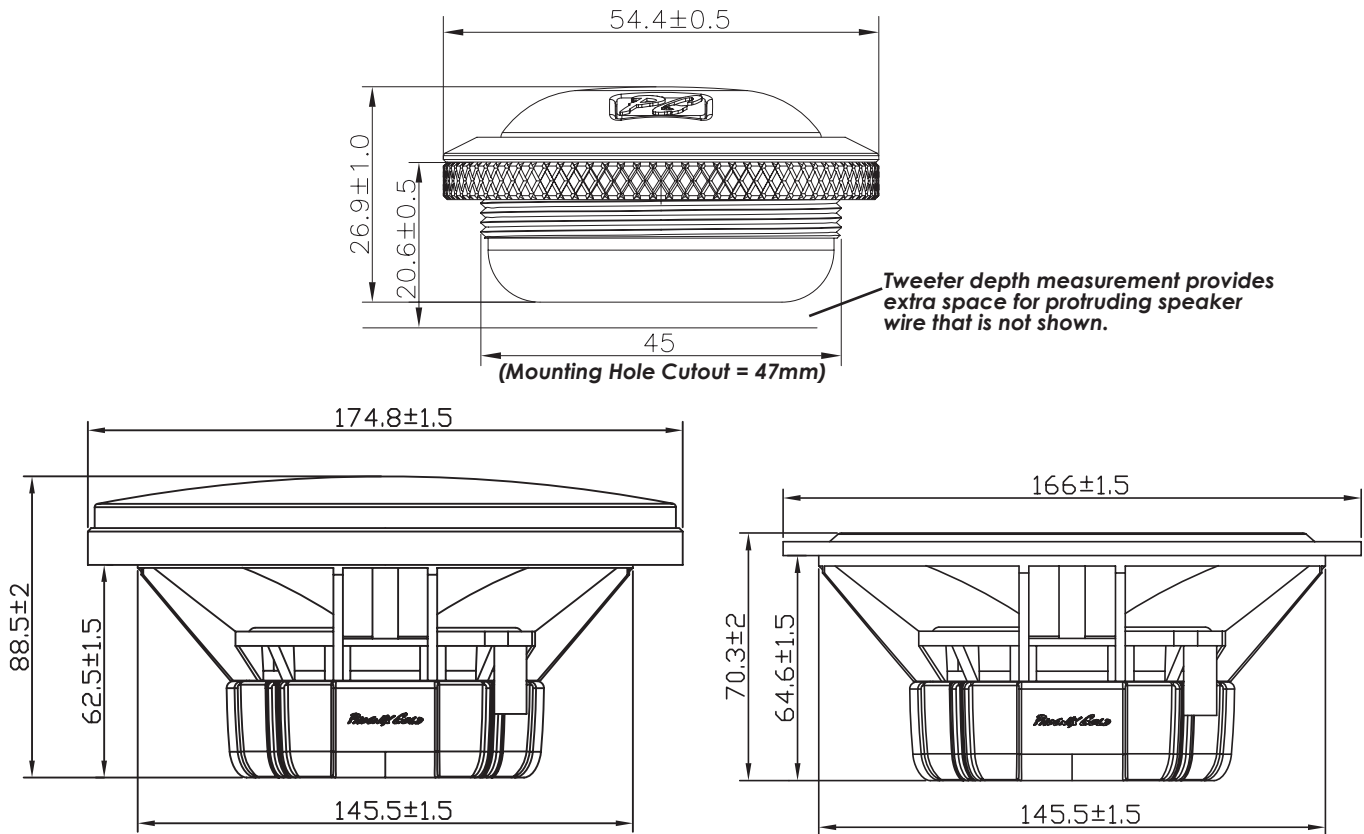
Specifications:	Ti365CSX
RMS Power Handling	150 watts
PEAK Power Handling	300 watts
Nominal Impedance	4 ohms
Tweeter HP Acoustical Crossover	3.5kHz @ 24dB (LnkRly)
Midrange LP Acoustical Crossover	2.95kHz @ 12dB (BTW)

(Mounting and Physical Dimensions are located on the back page)

Note on Fully Active Crossover Systems: For the best performance we always recommend the use of the provided passive crossovers with an external high pass electronic crossover usually located on the amplifier or headunit. The passive crossover design is extremely complex as it "blends" and "smoothes" the tweeter and midrange's response and impedances together.

Running the system fully active with an external electronic crossover (instead of the passive crossovers) for the tweeter and midrange eliminates all this smoothing and transitional circuitry. The reality is that it almost guarantees worse performance unless the system is perfectly EQ'd with precision crossover points. It also eliminates the tweeter protection. Unless you are sound quality and tuning expert, using the provided crossovers will deliver the best performance.

DIMENSIONS



All measurements in Millimeters



Phoenix Gold is a Power Brand of AAMP Global
 support@phoenixgold.com phoenixgold.com
 facebook.com/phoenixgoldofficial

© AAMP Global
 Designed and Engineered in the USA

LIMITED WARRANTY

Phoenix Gold warrants this product to be free of defects in materials and workmanship for a period of one (1) year from the original date of purchase. This warranty is not transferable and applies only to the original purchaser from an authorized Phoenix Gold dealer in the United States of America only. Should service be necessary under this warranty for any reason due to manufacturing defect or malfunction, Phoenix Gold will (at its discretion), repair or replace the defective product with new or remanufactured product at no charge. Damage caused by the following is not covered under warranty: accident, misuse, abuse, product modification or neglect, failure to follow installation instructions, unauthorized repair attempts, misrepresentations by the seller. This warranty does not cover incidental or consequential damages and does not cover the cost of removing or reinstalling the unit(s). Cosmetic damage due to accident or normal wear and tear is not covered under warranty.

INTERNATIONAL WARRANTIES

Products purchased outside the United States of America are covered only by that country's Authorized Phoenix Gold reseller and not by Phoenix Gold. Consumers needing service or warranty information for these products must contact that country's reseller for information.