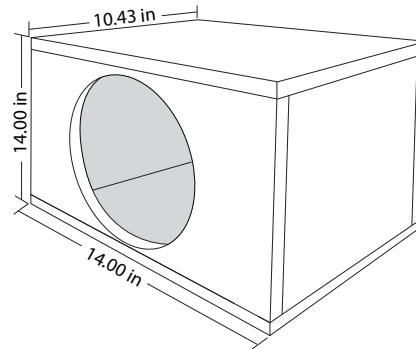


Enclosure Recommendations

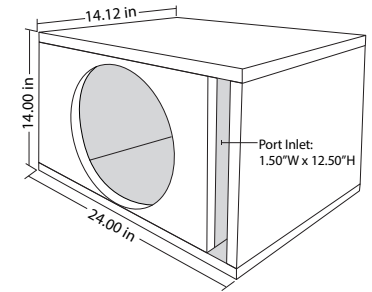
Speaker and port displacement are already taken into account for recommended enclosures

Sealed Enclosure	
Box External Dimensions	14.00" x 14.00" x 10.43"
Material Thickness	0.75"
Net Internal Volume	.71 cu ft
Qtc	0.70

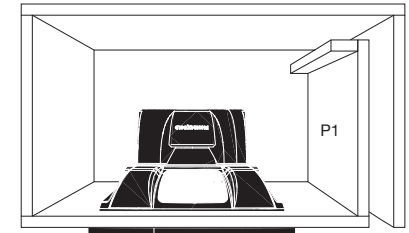
Detail	Size	Quantity
Top/Bottom	14.00" x 10.43"	2
Front/Rear	14.00" x 12.50"	2
Left/Right	8.94" x 12.50"	2



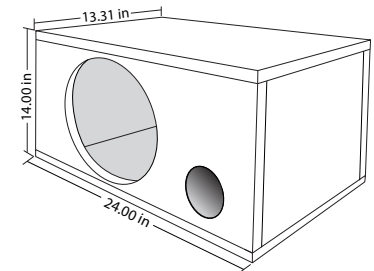
Slot Ported Enclosure	
Box External Dimensions	24.00" x 14.00" x 14.12"
Material Thickness	0.75"
Net Internal Volume	1.75 cu ft
Tuning Frequency	37Hz
Port Area	18.75 inch ²
Port Inlet (WxH)	1.50" x 12.50"
Port Length	17.43"



Detail	Size	Quantity
Top/Bottom	24.00" x 14.12"	2
Front	21.75" x 12.50"	1
Rear	24.00" x 12.50"	1
Left	12.63" x 12.50"	1
Right	13.37" x 12.50"	1
Port 1	11.13" x 12.50"	1
Port 2	3.30" x 12.50"	1



Round Ported Enclosure	
Box External Dimensions	24.00" x 14.00" x 13.31"
Material Thickness	0.75"
Net Internal Volume	1.75 cu ft
Tuning Frequency	37Hz
Port Area	12.56 inch ²
Port Diameter	4.00"
Port Length	11.28"



Detail	Size	Quantity
Top/Bottom	24.00" x 13.31"	2
Front/Rear	24.00" x 12.50"	2
Left/Right	11.82" x 12.50"	2

