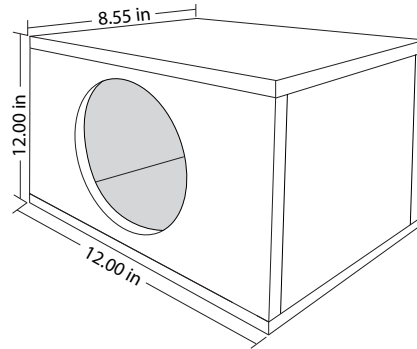


Enclosure Recommendations

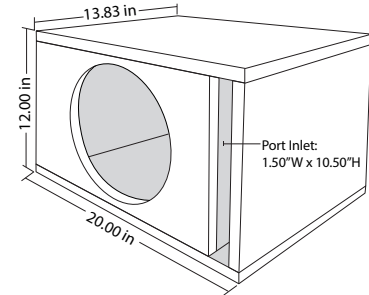
Speaker and port displacement are already taken into account for recommended enclosures

Sealed Enclosure	
Box External Dimensions	12.00" x 12.00" x 8.55"
Material Thickness	0.75"
Net Internal Volume	.40 cu ft
Qtc	0.56

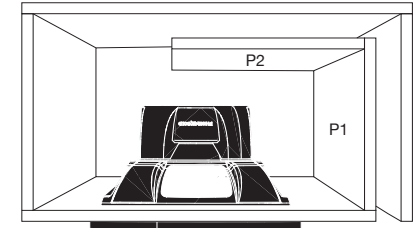


Detail	Size	Quantity
Top/Bottom	12.00" x 8.85"	2
Front/Rear	12.00" x 10.50"	2
Left/Right	7.35" x 10.50"	2

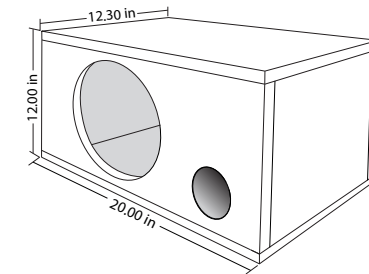
Slot Ported Enclosure	
Box External Dimensions	20.00" x 12.00" x 13.83"
Material Thickness	0.75"
Net Internal Volume	1.00 cu ft
Tuning Frequency	37Hz
Port Area	15.75 inch ²
Port Inlet (WxH)	1.50" x 10.50"
Port Length	26.16"



Detail	Size	Quantity
Top/Bottom	20.00" x 13.83"	2
Front	17.75" x 10.50"	1
Rear	20.00" x 10.50"	1
Left	12.33" x 10.50"	1
Right	13.08" x 10.50"	1
Port 1	10.83" x 10.50"	1
Port 2	12.33" x 10.50"	1
Port	9.82" x 10.50"	1



Round Ported Enclosure	
Box External Dimensions	20.00" x 12.00" x 12.30"
Material Thickness	0.75"
Net Internal Volume	1.00 cu ft
Tuning Frequency	37Hz
Port Area	12.56 inch ²
Port Diameter	4.00"
Port Length	21.71"



Detail	Size	Quantity
Top/Bottom	20.00" x 12.30"	2
Front/Rear	20.00" x 10.50"	2
Left/Right	10.81" x 10.50"	2

