

LTspice Model

DC/DC Buck Regulator

Microchip Technology

MIC261203YJL-TR

Model Information

Model A macro model
Call Name MDC_MIC261203YJL-TR_LT
Pin Assign 1:PVDD 2:PGND 3:NC 4:SW 5:PGND 6:PGND 7:PGND 8:PGND 9:SW 10:SW
 11:SW 12:SW 13:PVIN 14:PVIN 15:PVIN 16:PVIN 17:PVIN 18:PVIN 19:PVIN 20:BST
 21:PGND 22:CS 23:SGND 24:FB 25:PG 26:EN 27:VIN 28:VDD
File List Model Library MDC_MIC261203YJL-TR_LT02.lib
 Model Report MDC_MIC261203YJL-TR_LT.pdf(this file)
Verified Simulator Version LTspice XVII
Note

References

The information which was used for modeling is as follow:

[Data Sheet]
 ●Date/Version M9999-071311-A July 2011
 ●Product name MIC261203
 ●Company name Microchip Technology

[Characteristics listed]
 ●Characteristics
 Transient(Soft Start)
 Input Voltage Range
 EN Control
 Over Current Protection

Simulation Condition

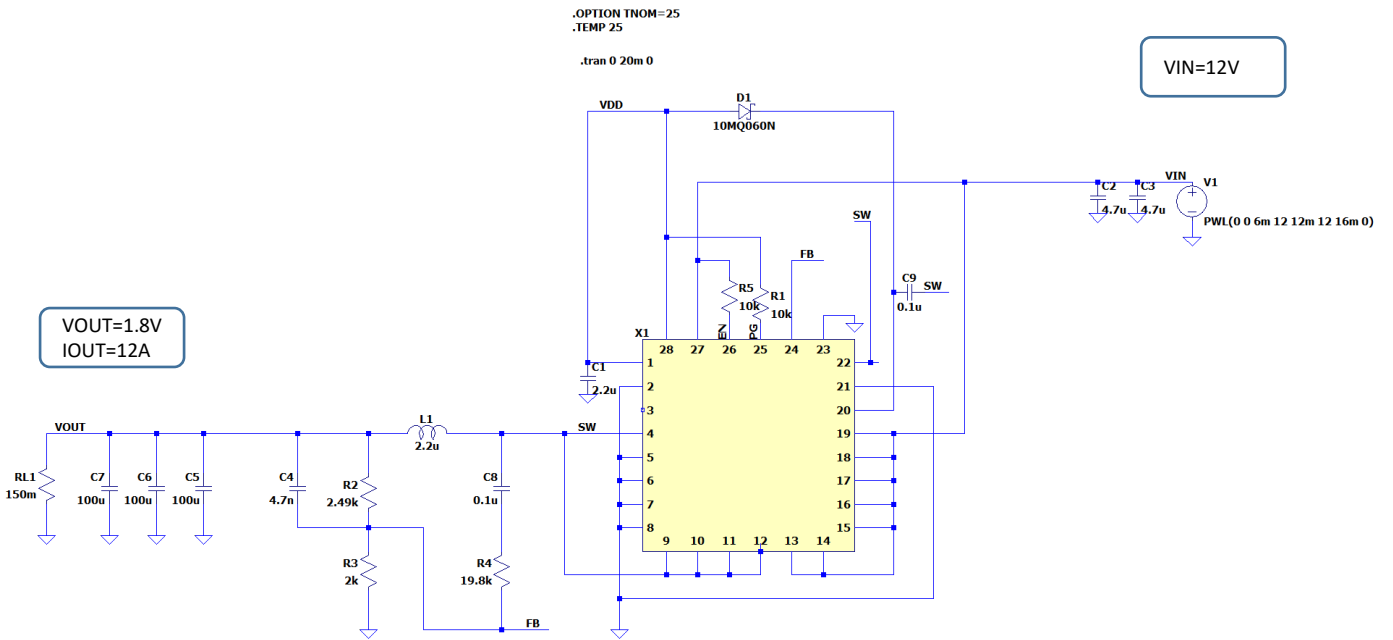
This table shows the range of evaluated simulation range that was not occurs any convergence problems in this area.

Item	Condition	Unit
Temperature	25	deg C

Model Functions Table

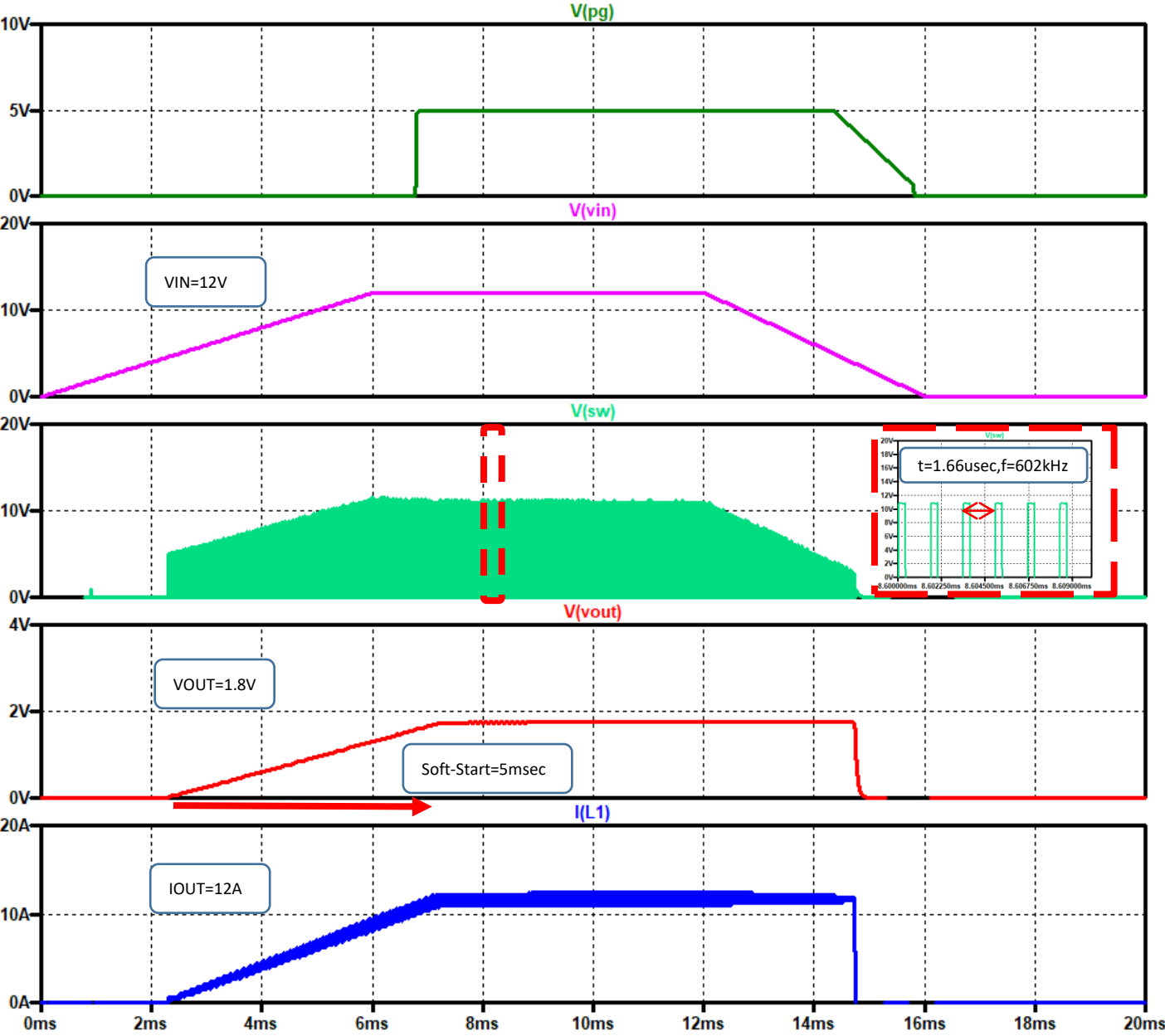
Functions	Implemented
Switching Frequency=600kHz	○
Input voltage range 4.5V to 28V	○
Output current up to 12A	○
Adjustable output voltage from 0.8V to 5.5V	○
Power Good(PG) output	○
Soft start function	○
Current Limit	○

Transient(Soft Start) Testbench



Simulation results are following.
Explanatory notes — : simulated

Transient(Soft Start)



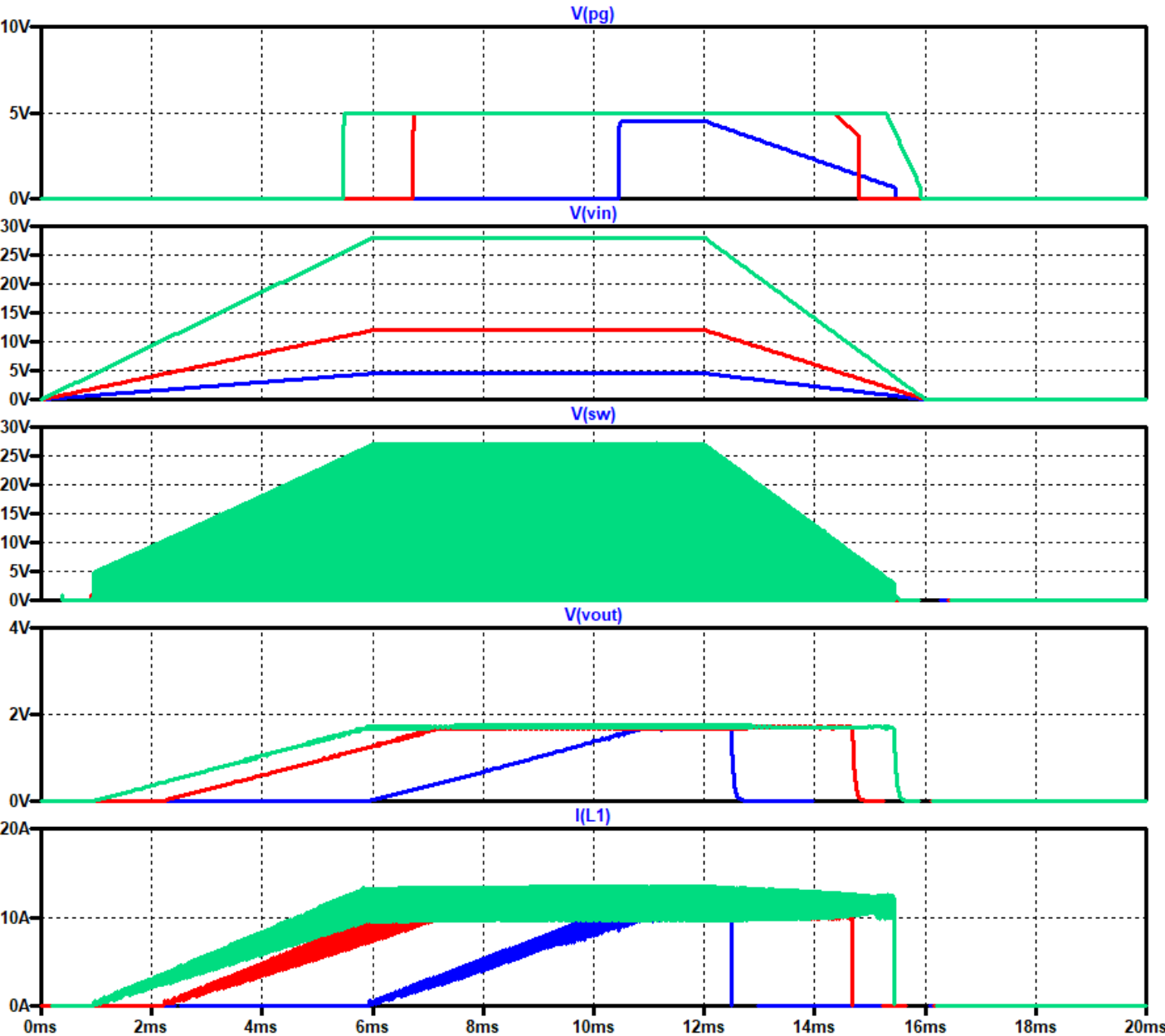
Simulation results are following.
 Explanatory notes — : simulated

Input Voltage Range

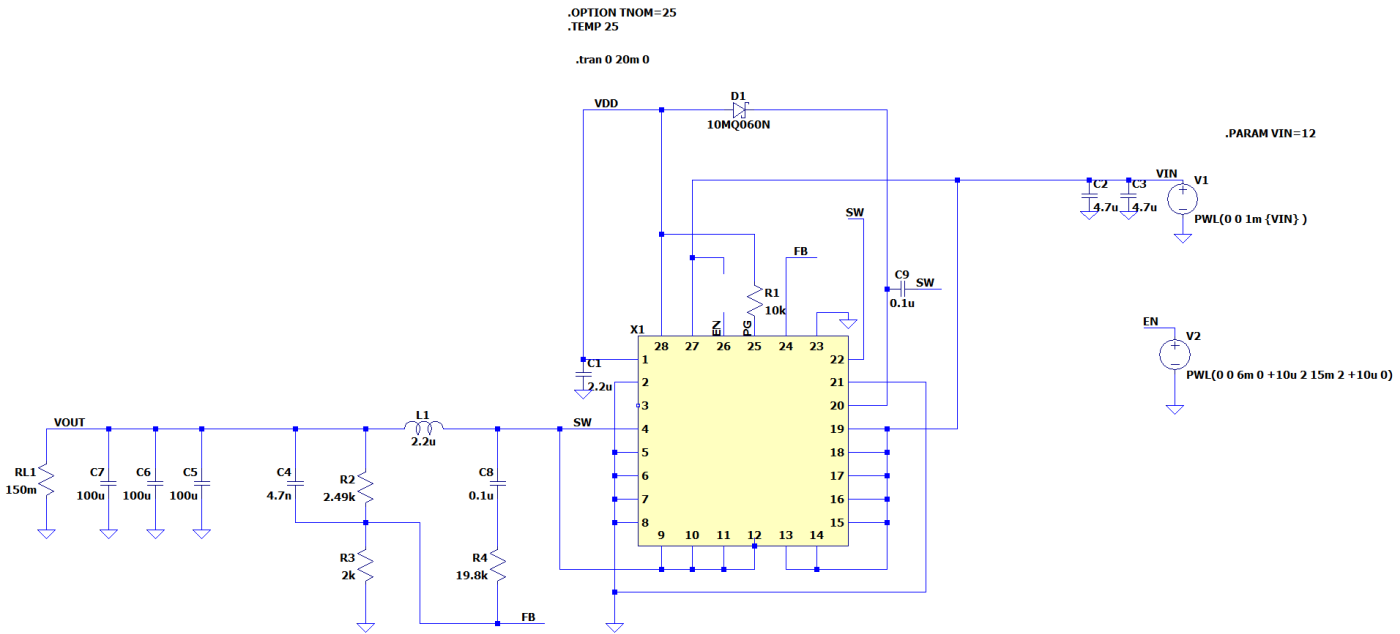
— :VIN=4.5V

— :VIN=12V

— :VIN=28V

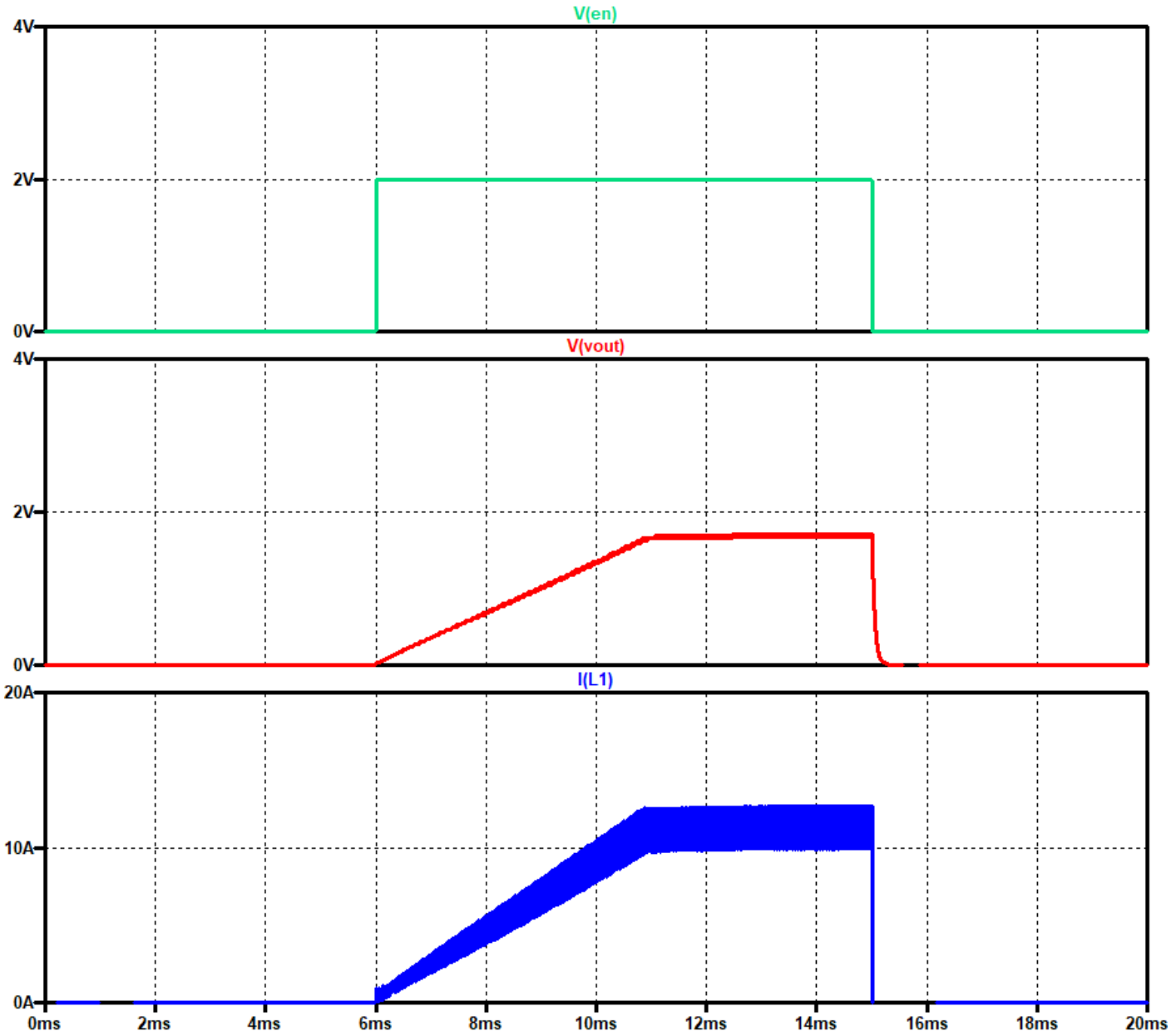


EN Control Testbench

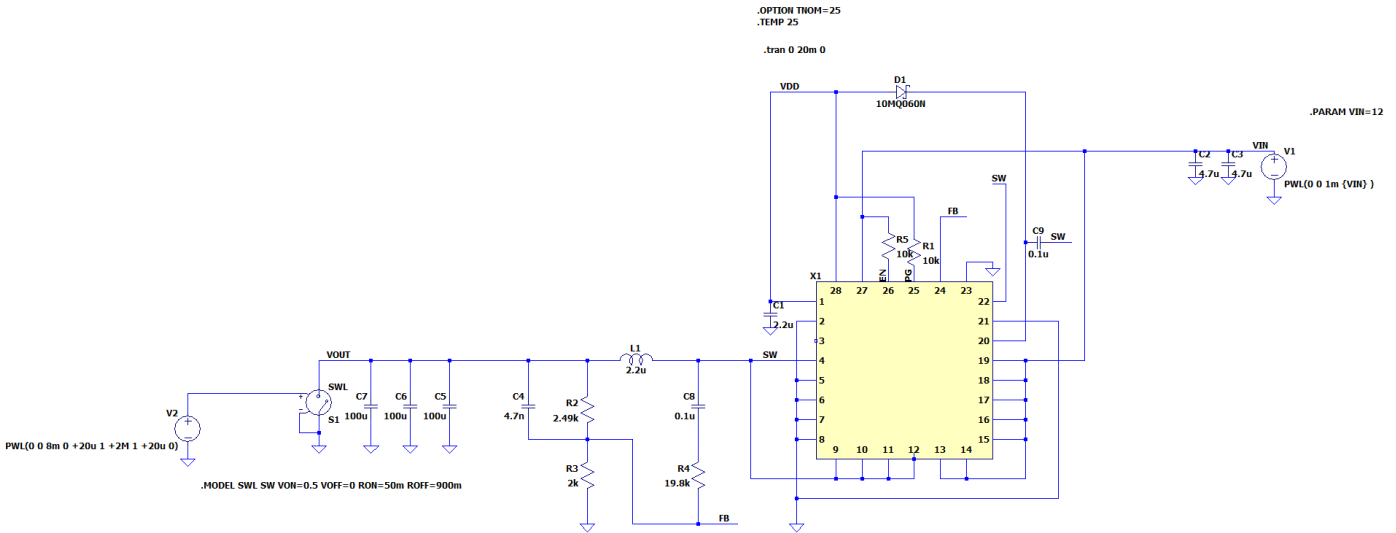


Simulation results are following.
Explanatory notes — : simulated

EN Control

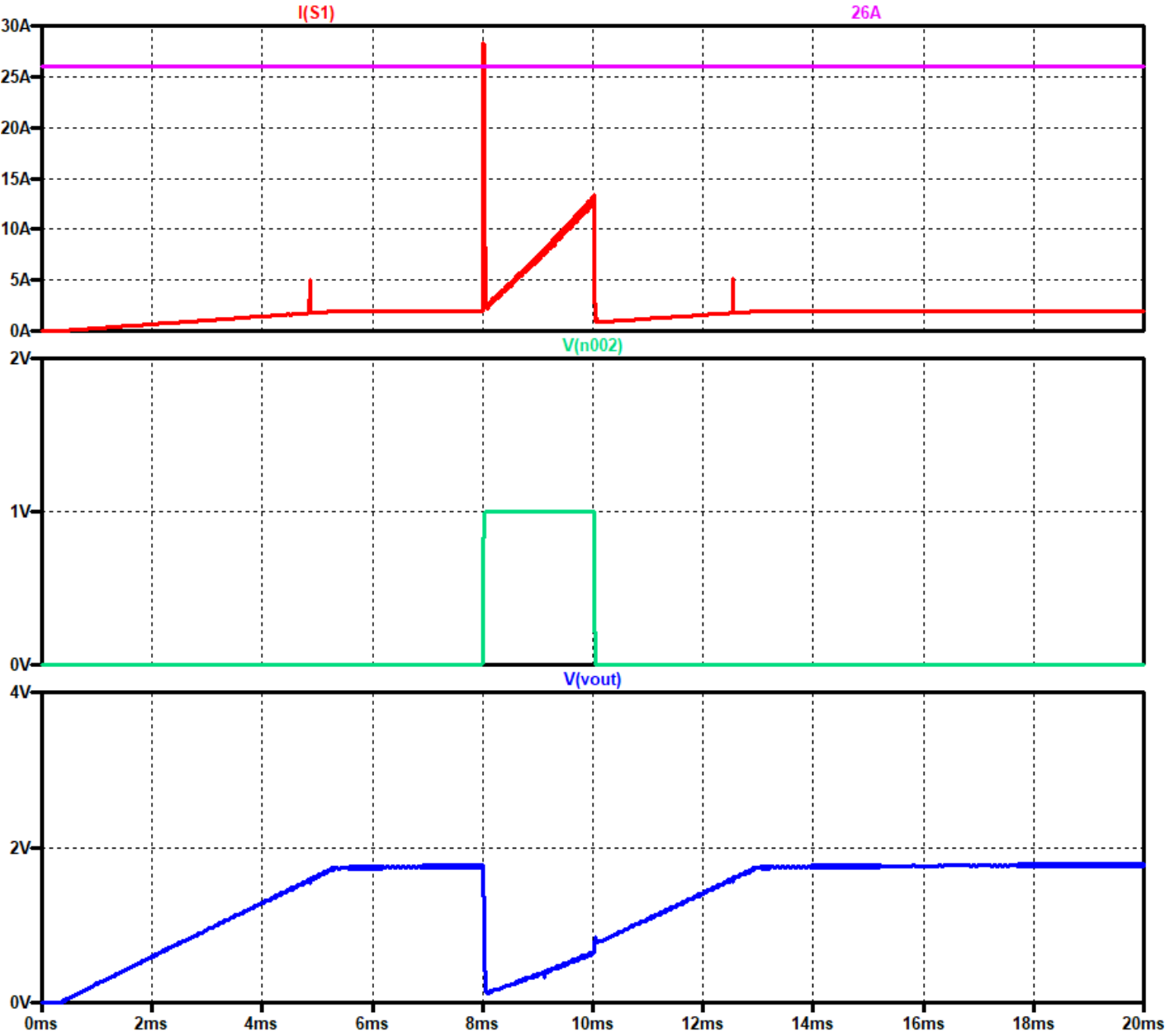


Over Current Protection Testbench



Simulation results are following.
Explanatory notes — : simulated

Over Current Protection



DISCLAIMER

1. This SPICE (Simulation Program with Integrated Circuit Emphasis) model and its content (the "Contents") are copyright of MoDeCH Inc. All rights reserved. Any redistribution or reproduction of any or all part of the Contents in any form is prohibited without express written permission made by MoDeCH Inc.
2. MoDeCH Inc. as licensor (the "Licensor") hereby grants to you, as licensee (the "Licensee"), a non-exclusive, non-transferable license to use the Contents as long as you abide by the terms and conditions of this DISCLAIMER.
3. The Licensee is not authorized to sell, loan, rent and redistribute or license the Contents in whole or in part, or in modified form, to anyone.
4. The Licensor shall in no way be liable to the Licensee or any third party for any loss or damage (including ,but not limited to, lost profits, or other incidental, consequential, or punitive damages), however caused (including through negligence) which may be directly or indirectly suffered from, arising out of, or in connection with, any use of the Contents .
5. Notwithstanding anything contained in this DISCLAIMER, in no event shall Licensor be liable for any claims, damages or loss which may arise from the modification, combination, operation or use of the Contents with the Licensee's computer programs.
6. The Licensor does not warrant that the Contents will function in any environment.
7. The Contents may be changed or updated without notice. MoDeCH Inc. may also make improvements and/or changes in the products, pricing and/or the programs related to the Contents at any time without notice.



MoDeCH Inc.

Head Office

Location: 5-15 Yokoyama-cho, Hachioji-Shi, Tokyo 192-0081, Japan

Tel:+81-42-656-3360

E-Mail:model-on-support@modech.co.jp

URL:<http://www.modech.com/en/>