

LTspice Model

LDO

TOREX

XC6701D702PR-G

Model Information

Model A macro model
Call Name MDC_XC6701D702PR-G_LT
Pin Assign 1:VOUT 2:VSS 3:VIN
File List Model Library MDC_XC6701D702PR-G_LT01.lib
 Model Report MDC_XC6701D702PR-G_LT_LT.pdf(this file)

Verified Simulator Version

Note

References

The information which was used for modeling is as follow:

- [Data Sheet]
- Date/Version JTR0334_012b
 - Product name XC6701D702PR-G
 - Company name TOREX

- [Characteristics listed]
- Characteristics $V_{IN}-V_{OUT}, V_{dif}, I_{OUT}-V_{OUT}$
 Input Rising Response
 Input Transient Response
 Load Transient Response

Simulation Condition

This table shows the range of evaluated simulation range that was not occurs any convergence problems in this area.

Item	Condition	Unit
Temperature	25	deg C

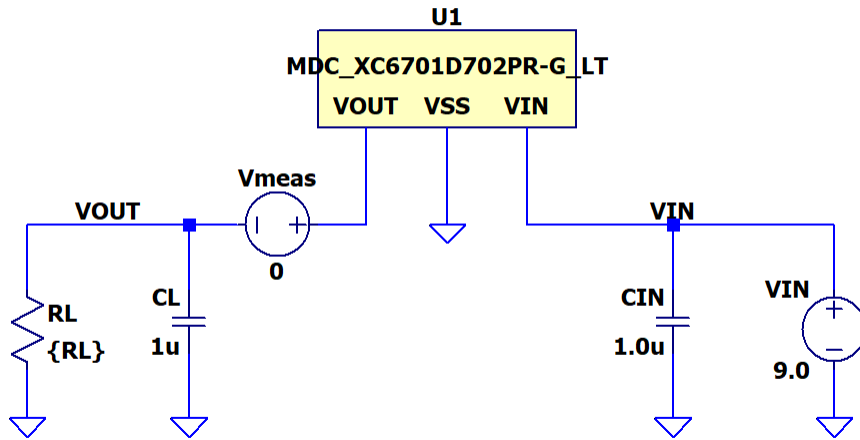
Model Functions Table

Functions	Implemented
$V_{IN}-V_{OUT}$	○
Vdif	○
$I_{OUT}-V_{OUT}$	○
Input Rising Response	○
Input Transient Response	○
Load Transient Response	○

V_{IN} - V_{OUT} Testbench

Referred to Data Sheet

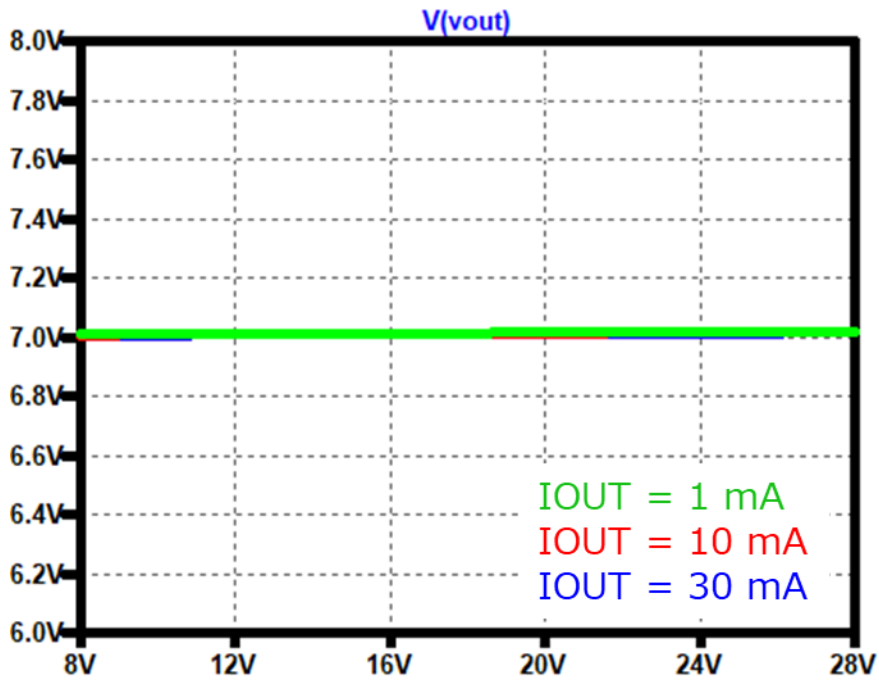
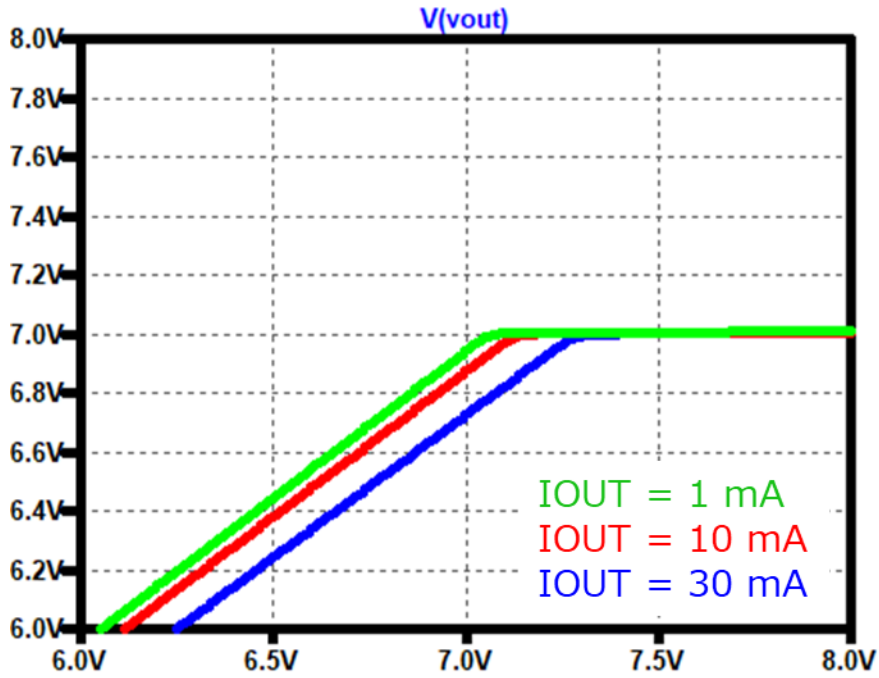
```
.option TNOM=25
.temp 25
.dc VIN 6.0 28 0.01      .lib MDC_XC6701D702PR-G_LT.lib
```



```
.step param RL list 7.0k 700 233.333
```

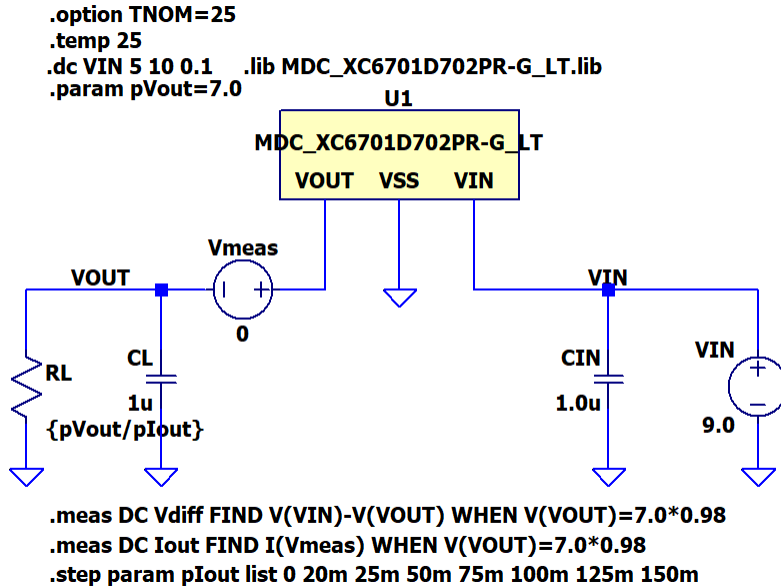
Simulation results are following.
Explanatory notes — : simulated

$V_{IN}-V_{OUT}$



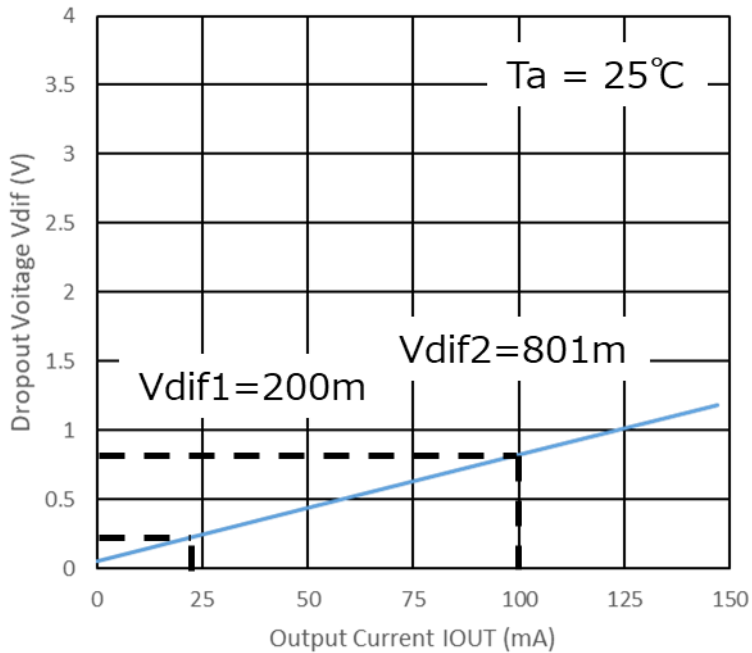
Vdif Testbench

Referred to Data Sheet

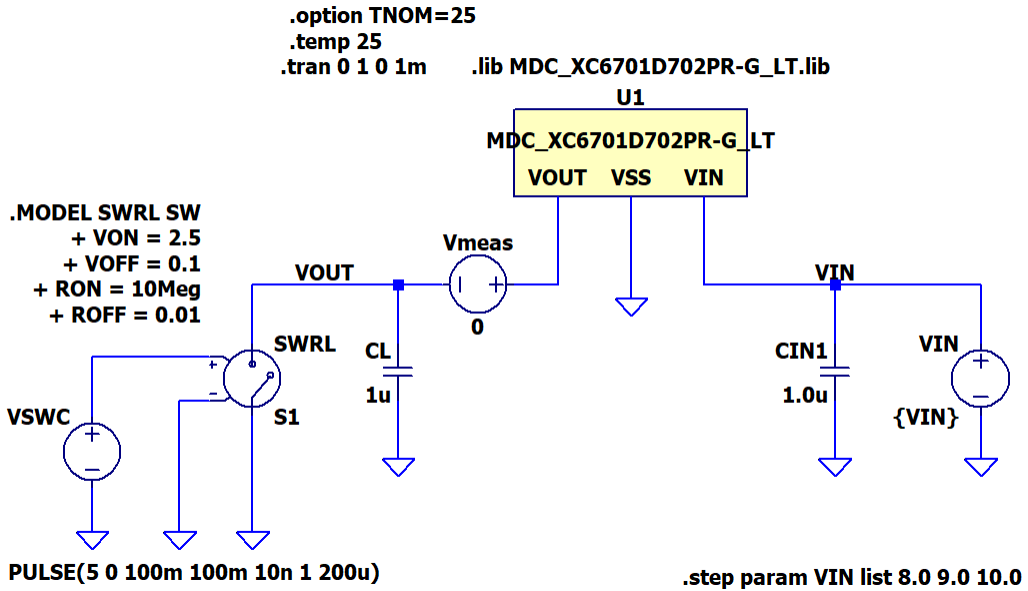


Simulation results are following.
 Explanatory notes — : simulated

Vdif

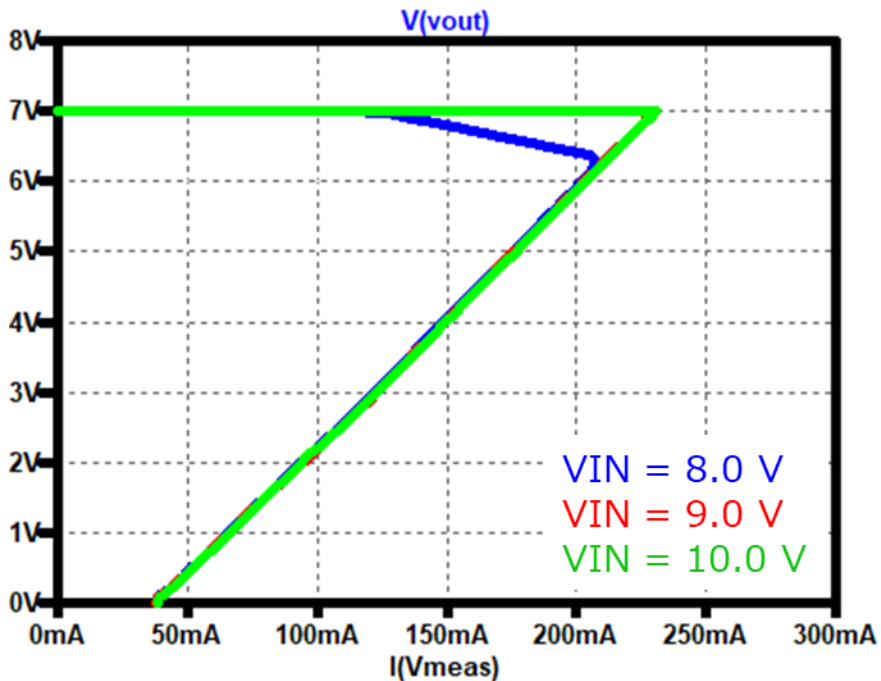


I_{OUT} - V_{OUT} Testbench
 Referred to Data Sheet

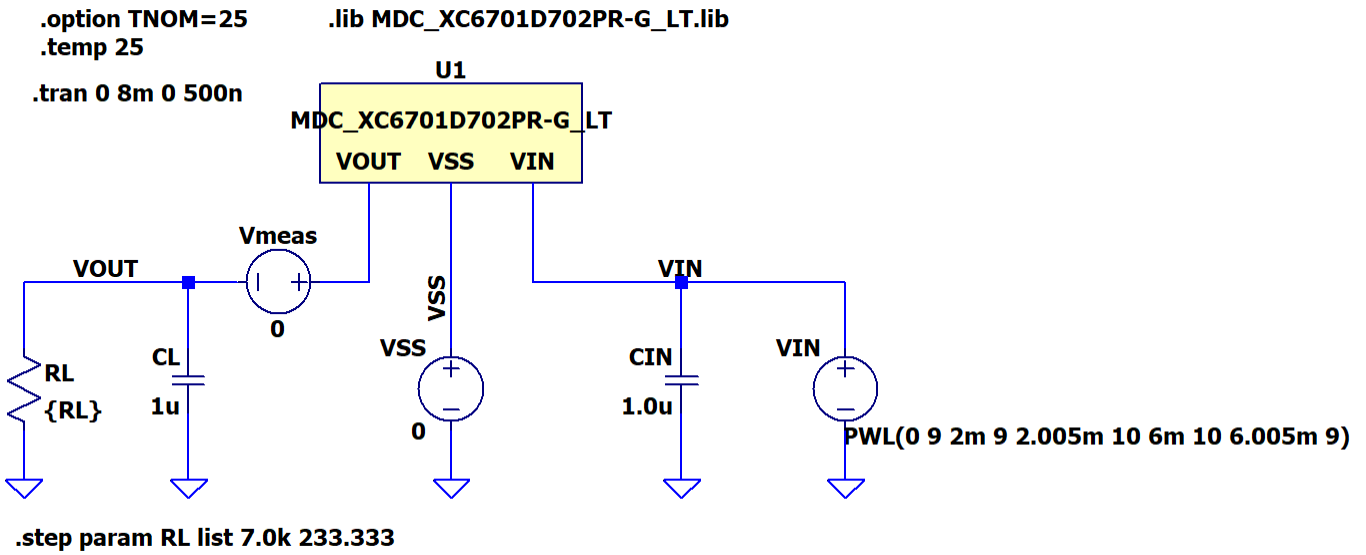


Simulation results are following.
 Explanatory notes — : simulated

I_{OUT} - V_{OUT}

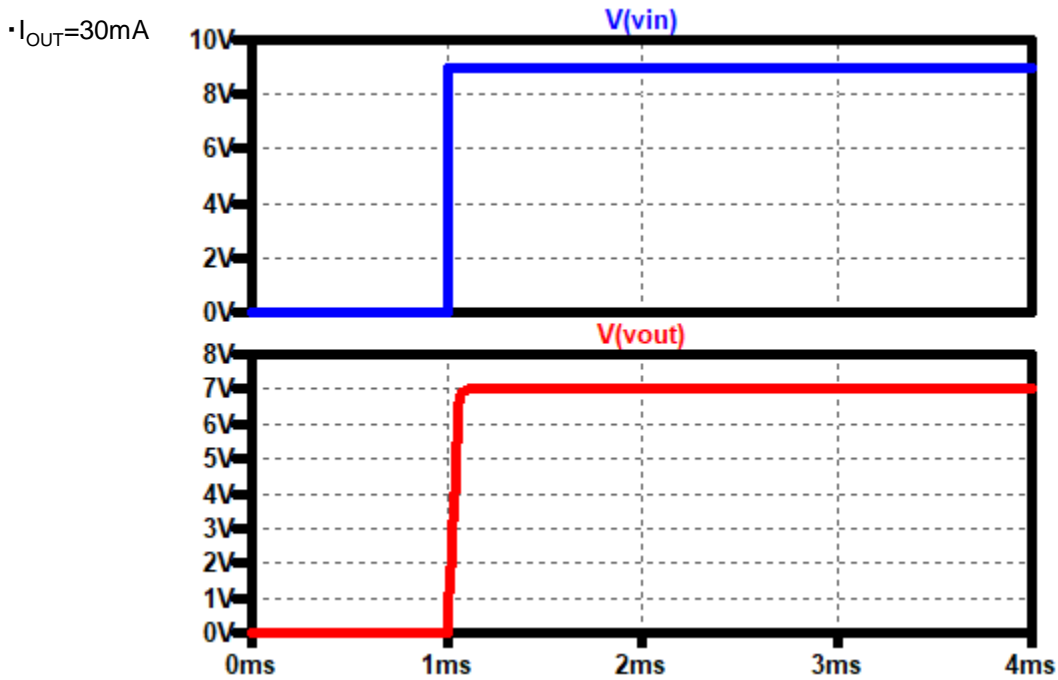
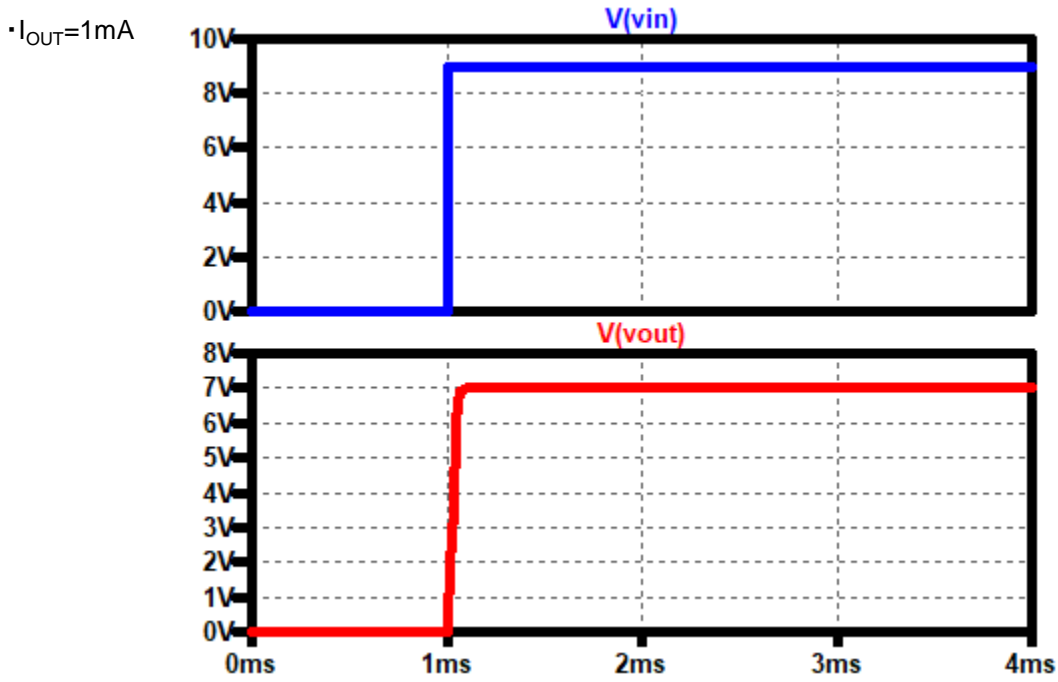


Input Rising Response Testbench
Referred to Data Sheet

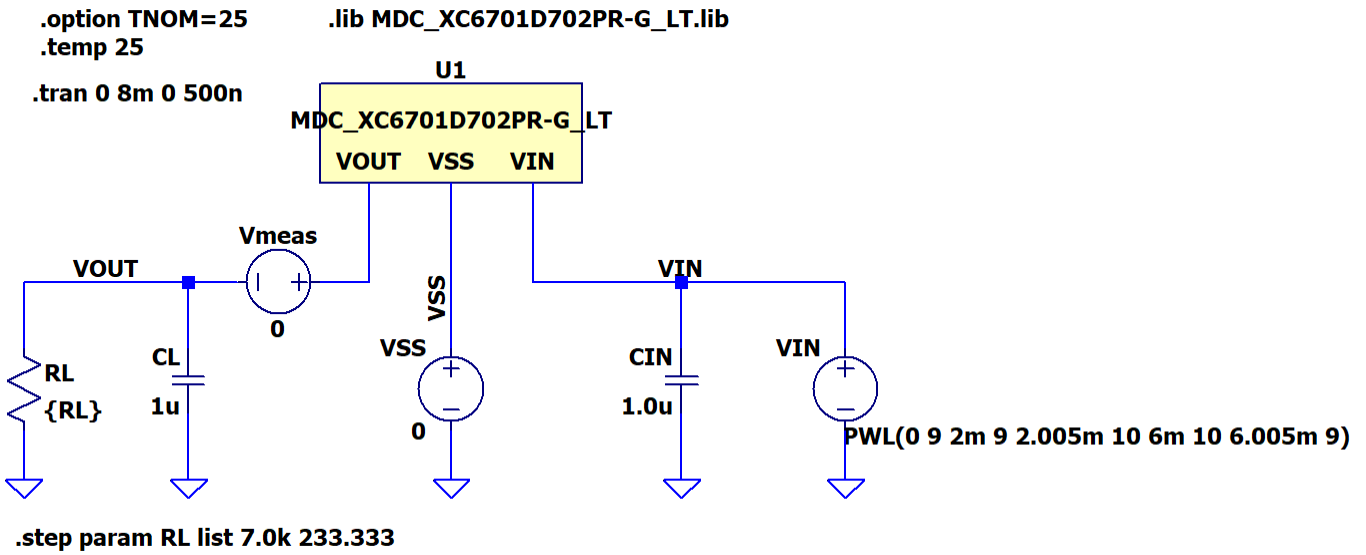


Simulation results are following.
Explanatory notes — : simulated

Input Rising Response

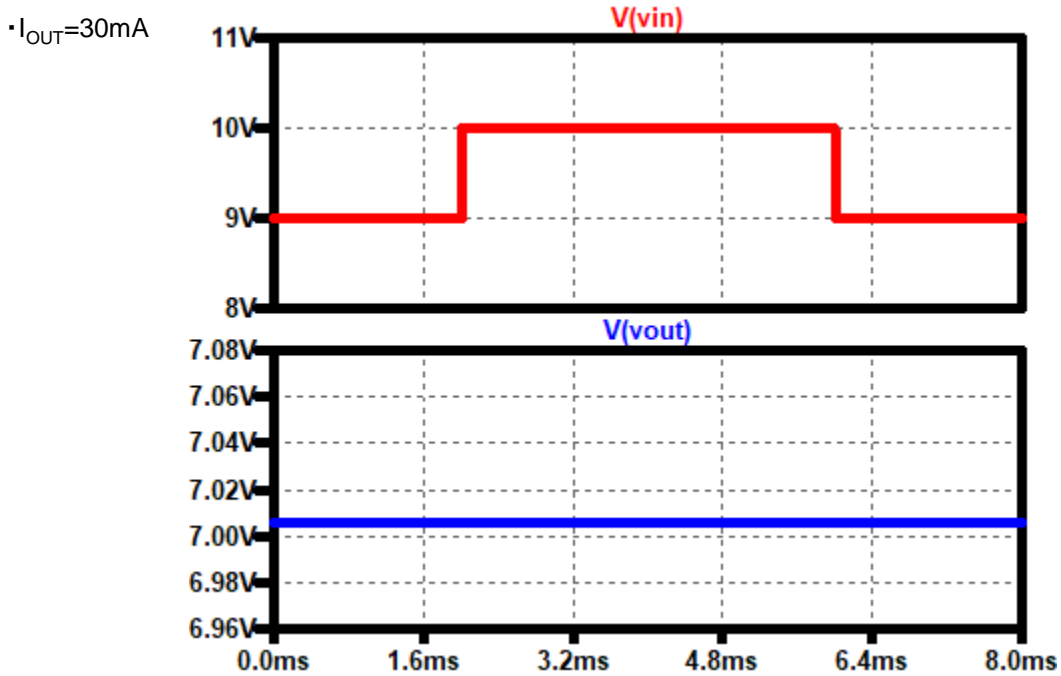
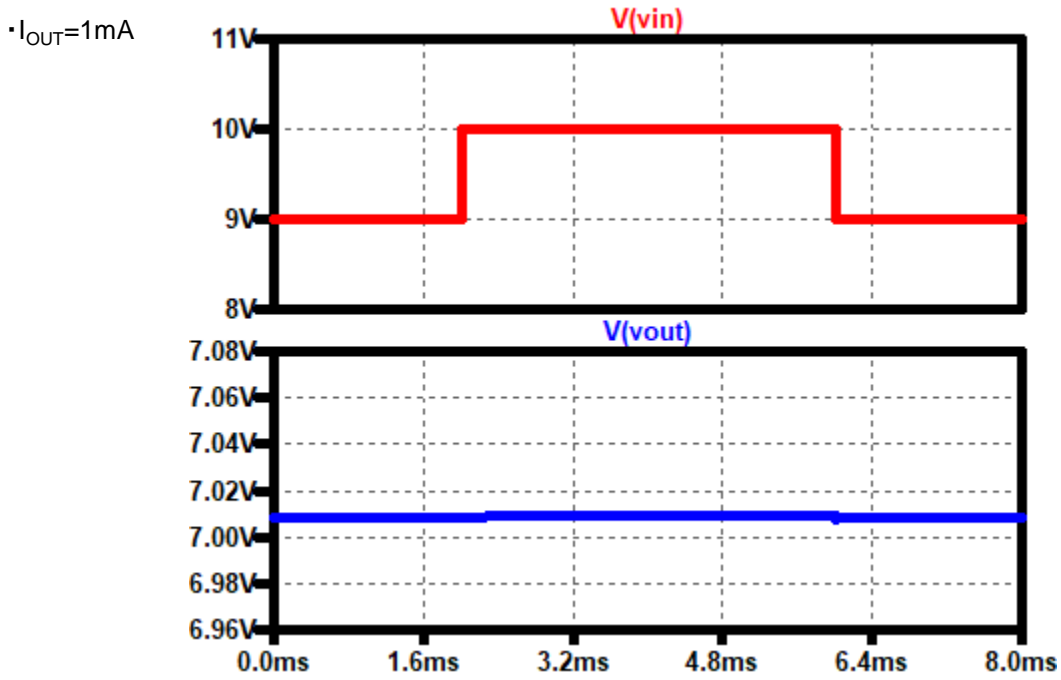


Input Transient Response Testbench
Referred to Data Sheet

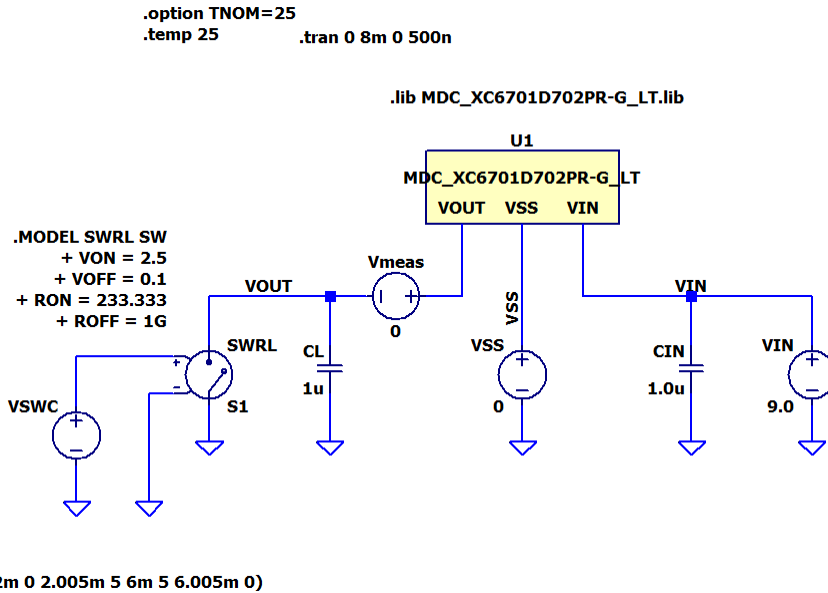


Simulation results are following.
 Explanatory notes — : simulated

Input Transient Response



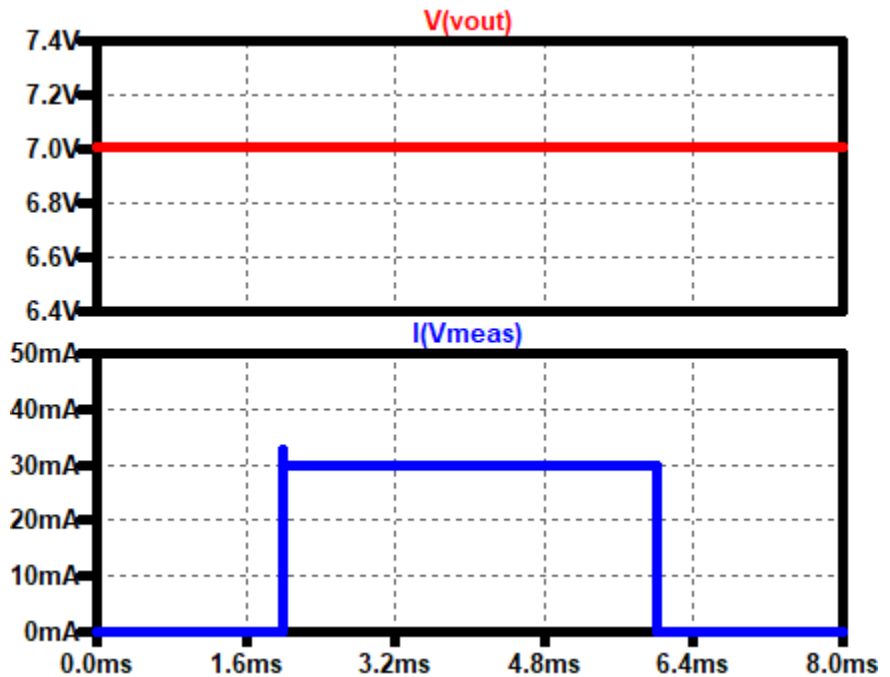
Load Transient Response Testbench
 Referred to Data Sheet



Simulation results are following.
 Explanatory notes — : simulated

Load Transient Response

• I_{OUT}: 0mA to 30mA



DISCLAIMER

1. This SPICE (Simulation Program with Integrated Circuit Emphasis) model and its content (the "Contents") are copyright of MoDeCH Inc. All rights reserved. Any redistribution or reproduction of any or all part of the Contents in any form is prohibited without express written permission made by MoDeCH Inc.
2. MoDeCH Inc. as licensor (the "Licensor") hereby grants to you, as licensee (the "Licensee"), a non-exclusive, non-transferable license to use the Contents as long as you abide by the terms and conditions of this DISCLAIMER.
3. The Licensee is not authorized to sell, loan, rent and redistribute or license the Contents in whole or in part, or in modified form, to anyone.
4. The Licensor shall in no way be liable to the Licensee or any third party for any loss or damage (including ,but not limited to, lost profits, or other incidental, consequential, or punitive damages), however caused (including through negligence) which may be directly or indirectly suffered from, arising out of, or in connection with, any use of the Contents .
5. Notwithstanding anything contained in this DISCLAIMER, in no event shall Licensor be liable for any claims, damages or loss which may arise from the modification, combination, operation or use of the Contents with the Licensee's computer programs.
6. The Licensor does not warrant that the Contents will function in any environment.
7. The Contents may be changed or updated without notice. MoDeCH Inc. may also make improvements and/or changes in the products, pricing and/or the programs related to the Contents at any time without notice.



MoDeCH Inc.

Head Office

Location: 5-15 Yokoyama-cho, Hachioji-Shi, Tokyo 192-0081, Japan

Tel:+81-42-656-3360

E-Mail:model-on-support@modech.co.jp

URL:<http://www.modech.com/en/>