

LTspice Model

High and Low Side Driver

Infineon Technologies AG

IR2213S

Model Information

Model A macro model
Call Name MDC_IR2213S_LT
Pin Assign 1:LO 2:COM 3:VCC 4,5:NC 6:VS 7:VB 8:HO 9,10:NC 11:VDD 12:HIN 13:SD 14:LIN 15:VSS 16:NC5
File List Model Library MDC_IR2213S_LT01.lib
 Model Report MDC_IR2212S_LT.pdf(this file)
Verified Simulator Version LTspice XVII

Note

References

The information which was used for modeling is as follow:

[Data Sheet]

- Date/Version April 26, 2016
- Product name IR2213S
- Company name Infineon Technologies AG

[Characteristics listed]

- Characteristics ton, toff, tsd, tr, tf, MT
Vih, Vil, Voh, Vol
Iqbs, Iqcc, Iqdd, Iin+/-, Io+/-

Simulation Condition

This table shows the range of evaluated simulation range that was not occurs any convergence problems in this area.

Item	Condition			Unit
	Min	Typ	Max	
Supply voltage (Vcc)	12		20	V
Temperature		25		deg C

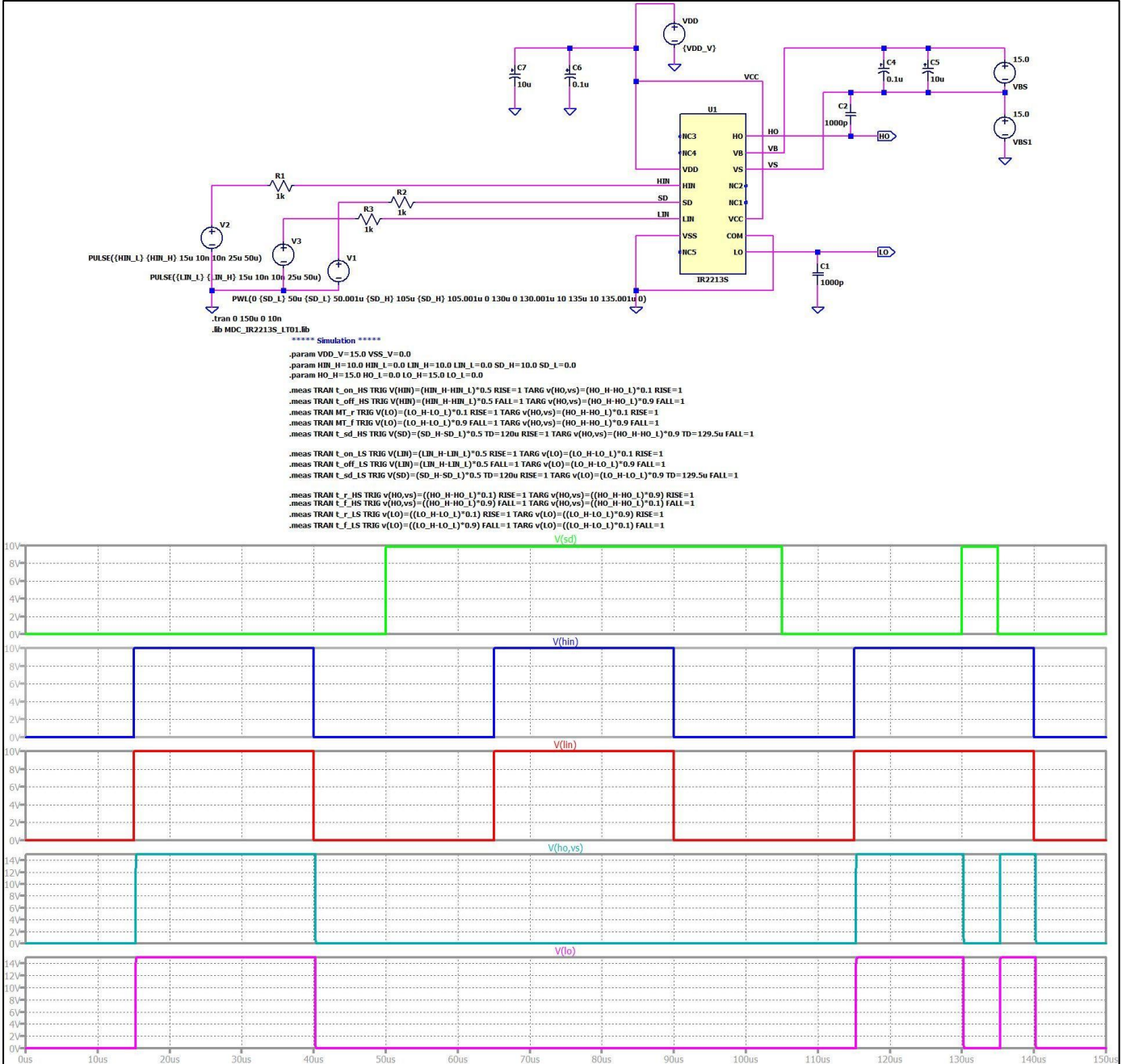
○ : Implemented
 × : Not Implemented
 — : Not applicable

Model Functions Table
RANK=1

Functions	RANK	Implemented
Truth Table	1	○
On Resistance	1	○
Switching(Typ.)	1	○
UVLO	1	○
VH/VIL-VDD	1	○
Clamp Voltage	1	—
Propagation delay	1	○
Over Current Protection	2	—
Over Voltage Protection	2	—

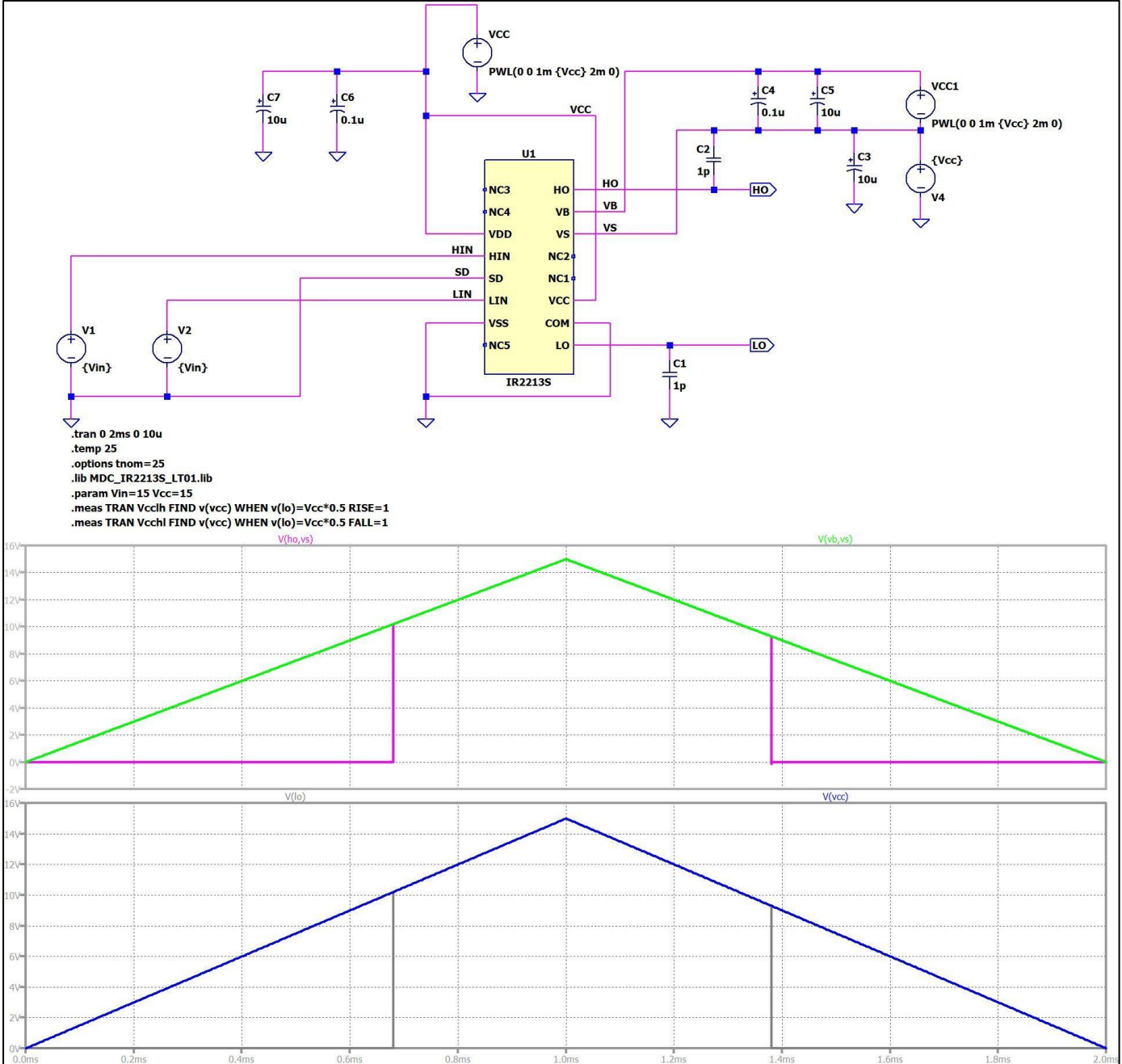
Dynamic characteristics Testbench (Vcc=Vdd=Vbs=Vin=15V)

Referred to Data Sheet



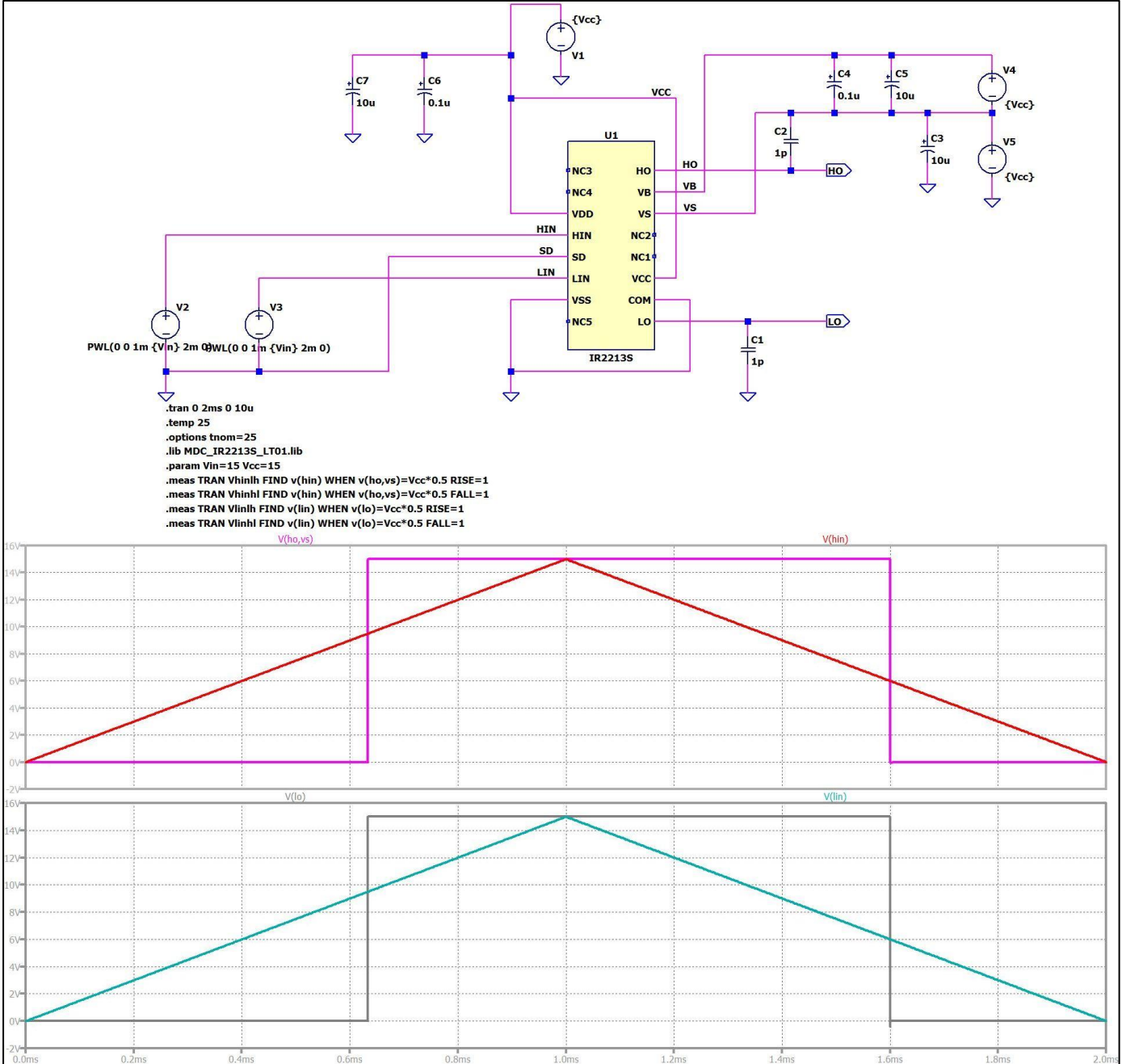
UVLO characteristics Testbench (Vcc=Vdd=Vbs=Vin=15V)

Referred to Data Sheet



Vin threshold characteristics Testbench (Vcc=Vdd=Vbs=Vin=15V)

Referred to Data Sheet



DISCLAIMER

1. This SPICE (Simulation Program with Integrated Circuit Emphasis) model and its content (the "Contents") are copyright of MoDeCH Inc. All rights reserved. Any redistribution or reproduction of any or all part of the Contents in any form is prohibited without express written permission made by MoDeCH Inc.
2. MoDeCH Inc. as licensor (the "Licensor") hereby grants to you, as licensee (the "Licensee"), a non-exclusive, non-transferable license to use the Contents as long as you abide by the terms and conditions of this DISCLAIMER.
3. The Licensee is not authorized to sell, loan, rent and redistribute or license the Contents in whole or in part, or in modified form, to anyone.
4. The Licensor shall in no way be liable to the Licensee or any third party for any loss or damage (including ,but not limited to, lost profits, or other incidental, consequential, or punitive damages), however caused (including through negligence) which may be directly or indirectly suffered from, arising out of, or in connection with, any use of the Contents .
5. Notwithstanding anything contained in this DISCLAIMER, in no event shall Licensor be liable for any claims, damages or loss which may arise from the modification, combination, operation or use of the Contents with the Licensee's computer programs.
6. The Licensor does not warrant that the Contents will function in any environment.
7. The Contents may be changed or updated without notice. MoDeCH Inc. may also make improvements and/or changes in the products, pricing and/or the programs related to the Contents at any time without notice.



MoDeCH Inc.

Head Office

Location: 5-15 Yokoyama-cho, Hachioji-Shi, Tokyo 192-0081, Japan

Tel:+81-42-656-3360

E-Mail:model-on-support@modech.co.jp

URL:<http://www.modech.com/en/>