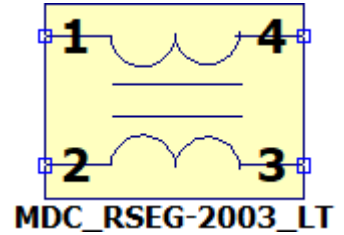


LTspice Model

EMC Filter

TDK Lambda

MDC_RSEG-2003_LT



Model Information

Model	A macro model		
Call Name	MDC_RSEG-2003_LT		
Pin Assign	1:1 2:2 3:3 4:4		
File List	Model Library	MDC_RSEG-2003_LT.lib	
	Model Report	MDC_RSEG-2003_LT.pdf(this file)	
Verified Simulator Version	LTspice XVII		
Note			

References

The information which was used for modeling is as follow:

[Data Sheet]

- Date/Version web190111
- Product name RSEG-2003
- Company name TDK-Lambda Corporation.

[Characteristics listed]

- Characteristics Attenuation vs Frequency(Differential mode)

Simulation Condition

This table shows the range of evaluated simulation range that was not occurs any convergence problems in this area.

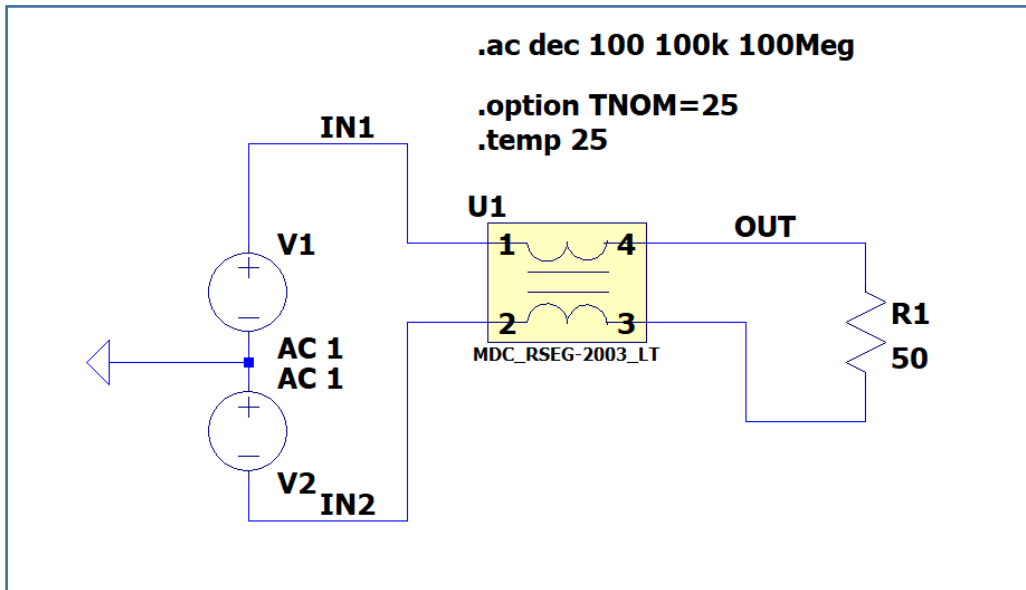
Item	Condition	Unit
Temperature	25	deg C

Model Functions Table

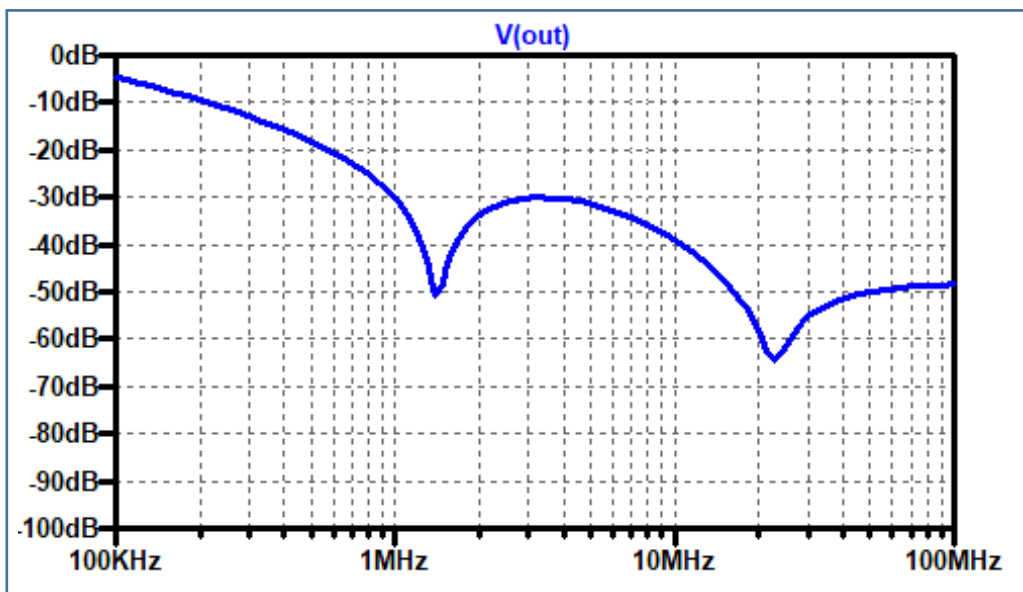
Functions	Implemented
Attenuation vs Frequency(Differential mode)	○

Attenuation vs Frequency(Differential mode)

TestBench



Simulation results are following.
 Explanatory notes — : simulated



DISCLAIMER

1. This SPICE (Simulation Program with Integrated Circuit Emphasis) model and its content (the "Contents") are copyright of MoDeCH Inc. All rights reserved. Any redistribution or reproduction of any or all part of the Contents in any form is prohibited without express written permission made by MoDeCH Inc.
2. MoDeCH Inc. as licensor (the "Licensor") hereby grants to you, as licensee (the "Licensee"), a non-exclusive, non-transferable license to use the Contents as long as you abide by the terms and conditions of this DISCLAIMER.
3. The Licensee is not authorized to sell, loan, rent and redistribute or license the Contents in whole or in part, or in modified form, to anyone.
4. The Licensor shall in no way be liable to the Licensee or any third party for any loss or damage (including ,but not limited to, lost profits, or other incidental, consequential, or punitive damages), however caused (including through negligence) which may be directly or indirectly suffered from, arising out of, or in connection with, any use of the Contents .
5. Notwithstanding anything contained in this DISCLAIMER, in no event shall Licensor be liable for any claims, damages or loss which may arise from the modification, combination, operation or use of the Contents with the Licensee's computer programs.
6. The Licensor does not warrant that the Contents will function in any environment.
7. The Contents may be changed or updated without notice. MoDeCH Inc. may also make improvements and/or changes in the products, pricing and/or the programs related to the Contents at any time without notice.



MoDeCH Inc.

Head Office

Location: 5-15 Yokoyama-cho, Hachioji-Shi, Tokyo 192-0081, Japan

Tel:+81-42-656-3360

E-Mail:model-on-support@modech.co.jp

URL:<http://www.modech.com/en/>