

# ADS Model PWM Controller ROHM BM2P104E

## Model Information

**Model** A macro model  
**Call Name** MDC\_BM2P104E\_AD  
**Pin Assign** 1:SOURCE 2:BR 3:GND 4:FB 5:ZT 6:VCC 7:DRAIN  
**File List** Model Library MDC\_BM2P104E\_AD.lib  
 Model Report MDC\_BM2P104E\_AD.pdf(this file)  
**Verified Simulator Version** ADS 2020  
**Note** Integration Method=Gear

## References

The information which was used for modeling is as follow:

[Data Sheet]

- Date/Version TSZ02201-0F1F0A200350-1-1 2018.09.12 Rev.001
- Product name BM2P104E
- Company name ROHM Co., Ltd.

[Characteristics listed]

- Characteristics Transient(Soft Start)  
VCC Charge  
Frequency Reduction

## Simulation Condition

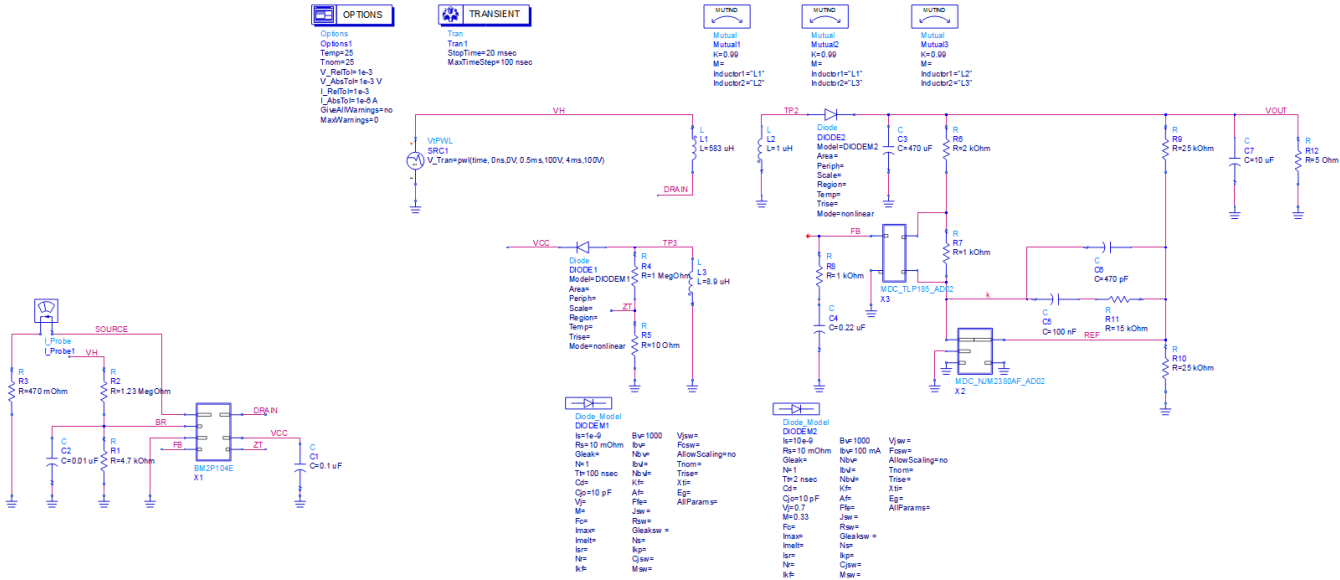
This table shows the range of evaluated simulation range that was not occurs any convergence problems in this area.

Item	Condition	Unit
Temperature	25	deg C

**Model Functions Table**

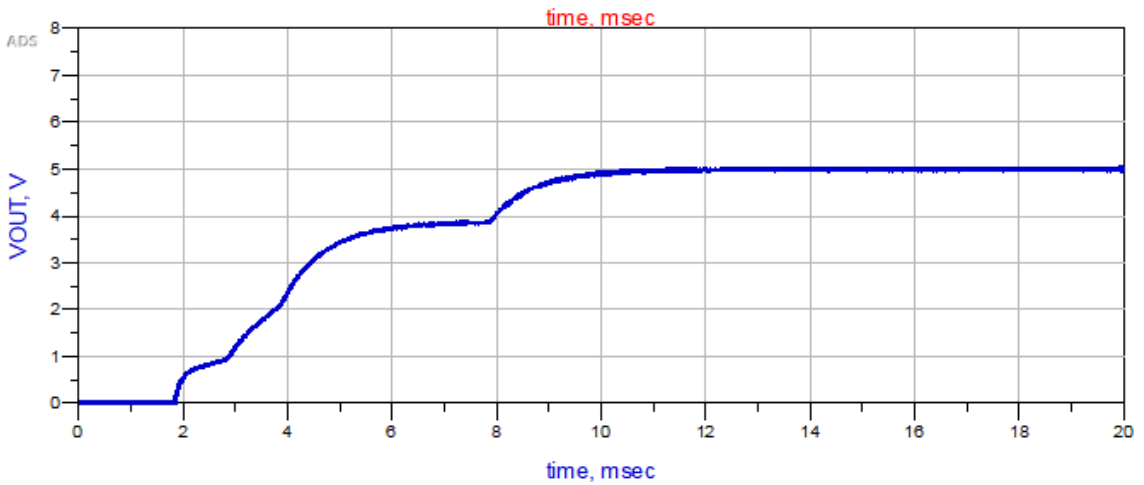
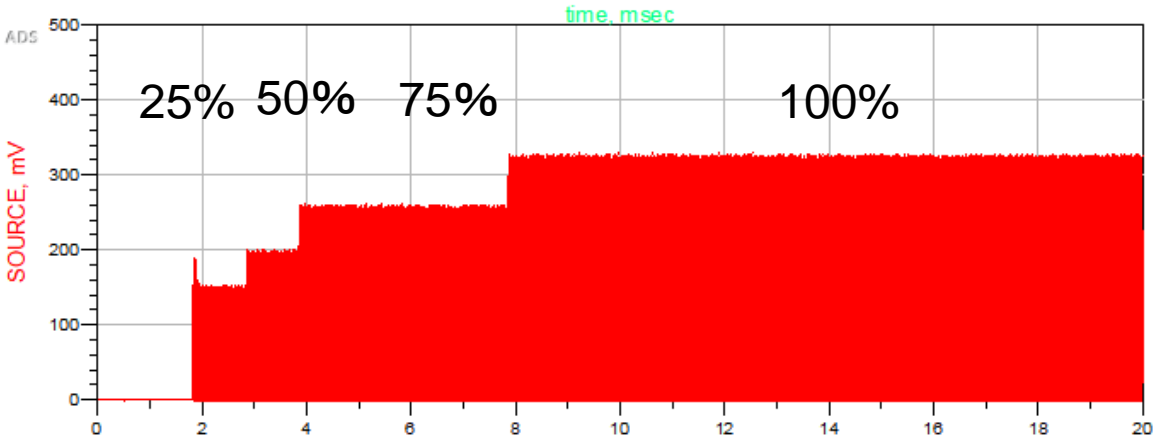
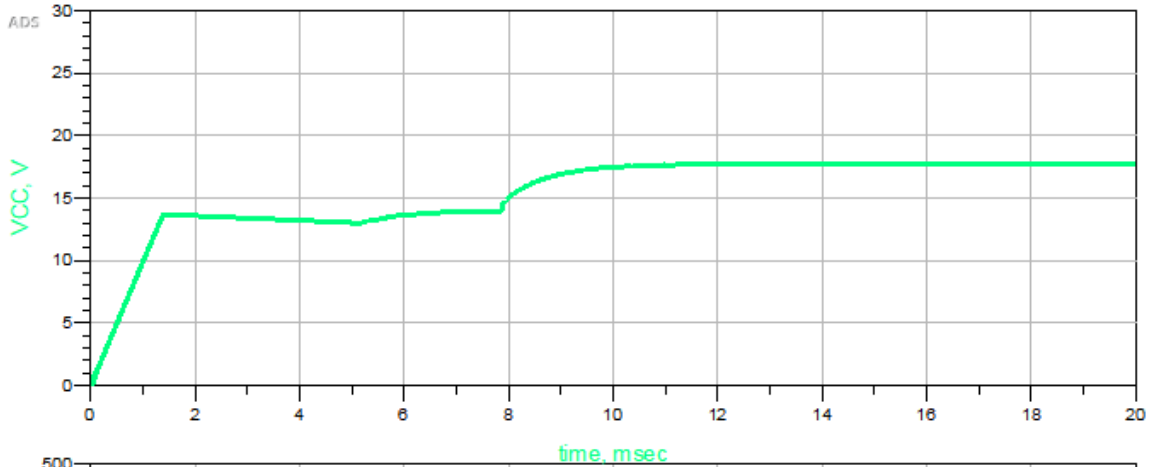
Functions	Implemented
Switching Frequency=100kHz	○
Built-in Frequency Hopping Function	×
Burst Operation at Light Load	○
Frequency Reduction Function	○
VCC Pin Under/Over Voltage Protection	○
Over Current Limiter Function per Cycle	○
Soft Start Function	○
Brown IN/OUT Function	○
ZT Pin OVP Function(DC Detect)	○

# Transient(Soft Start) Testbench Referred to Data Sheet



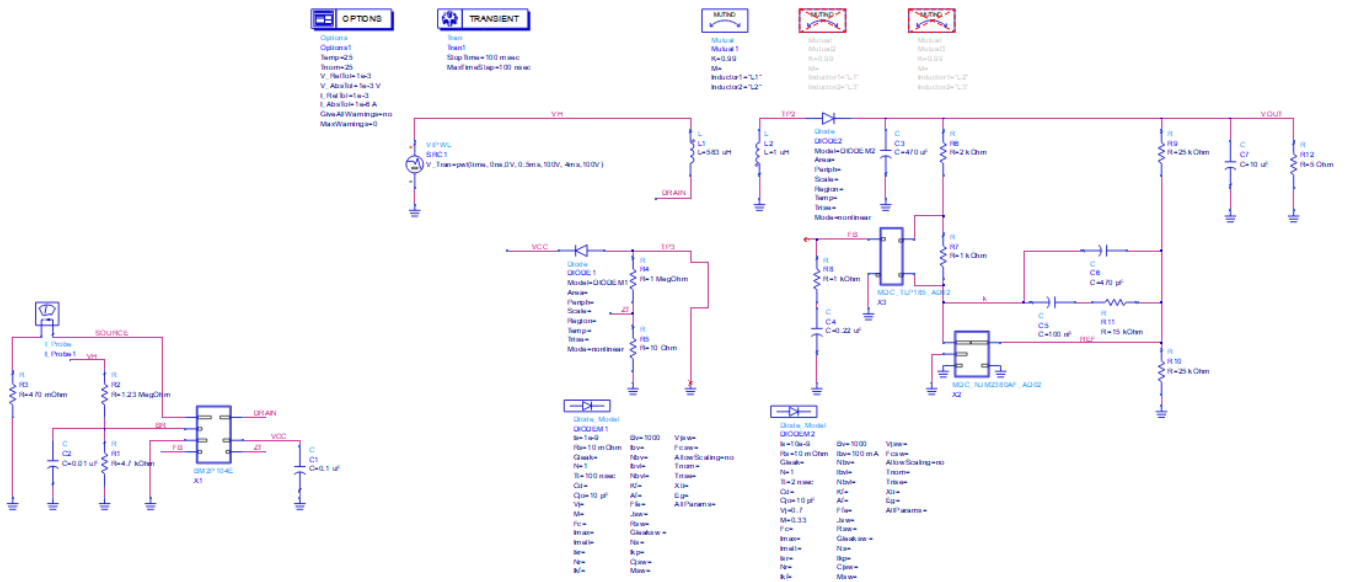
Simulation results are following.  
Explanatory notes — : simulated

**Transient(Soft Start)**



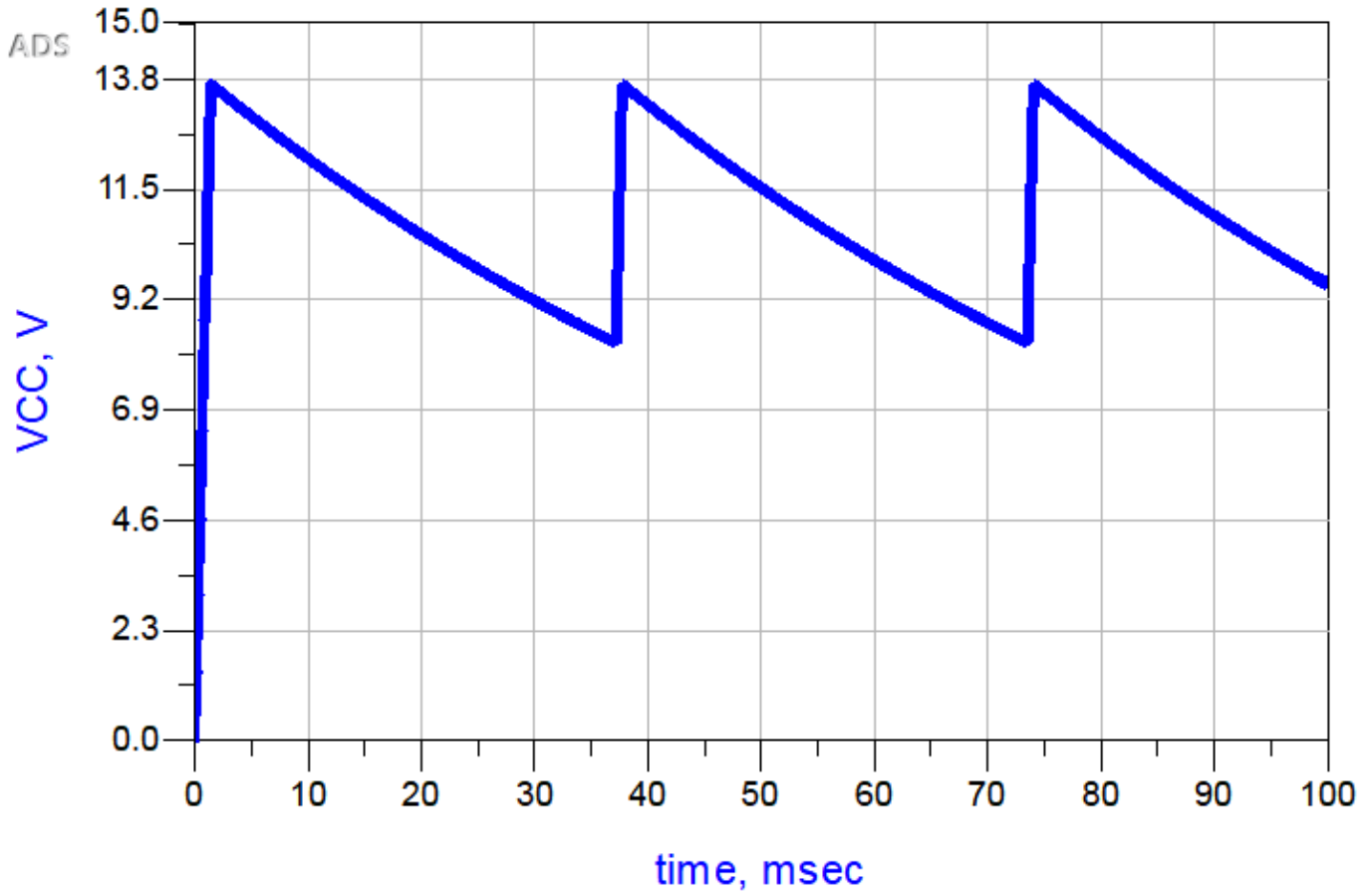
# VCC Charge TestBench

## Referred to Data Sheet

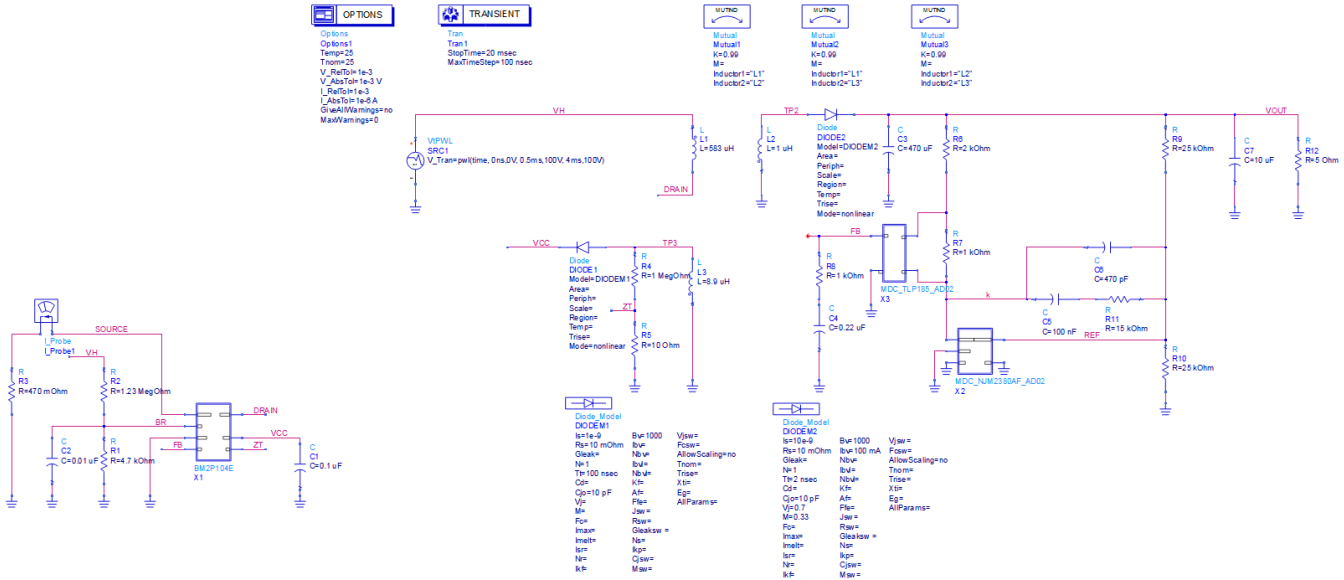


Simulation results are following.  
Explanatory notes — : simulated

VCC Charge

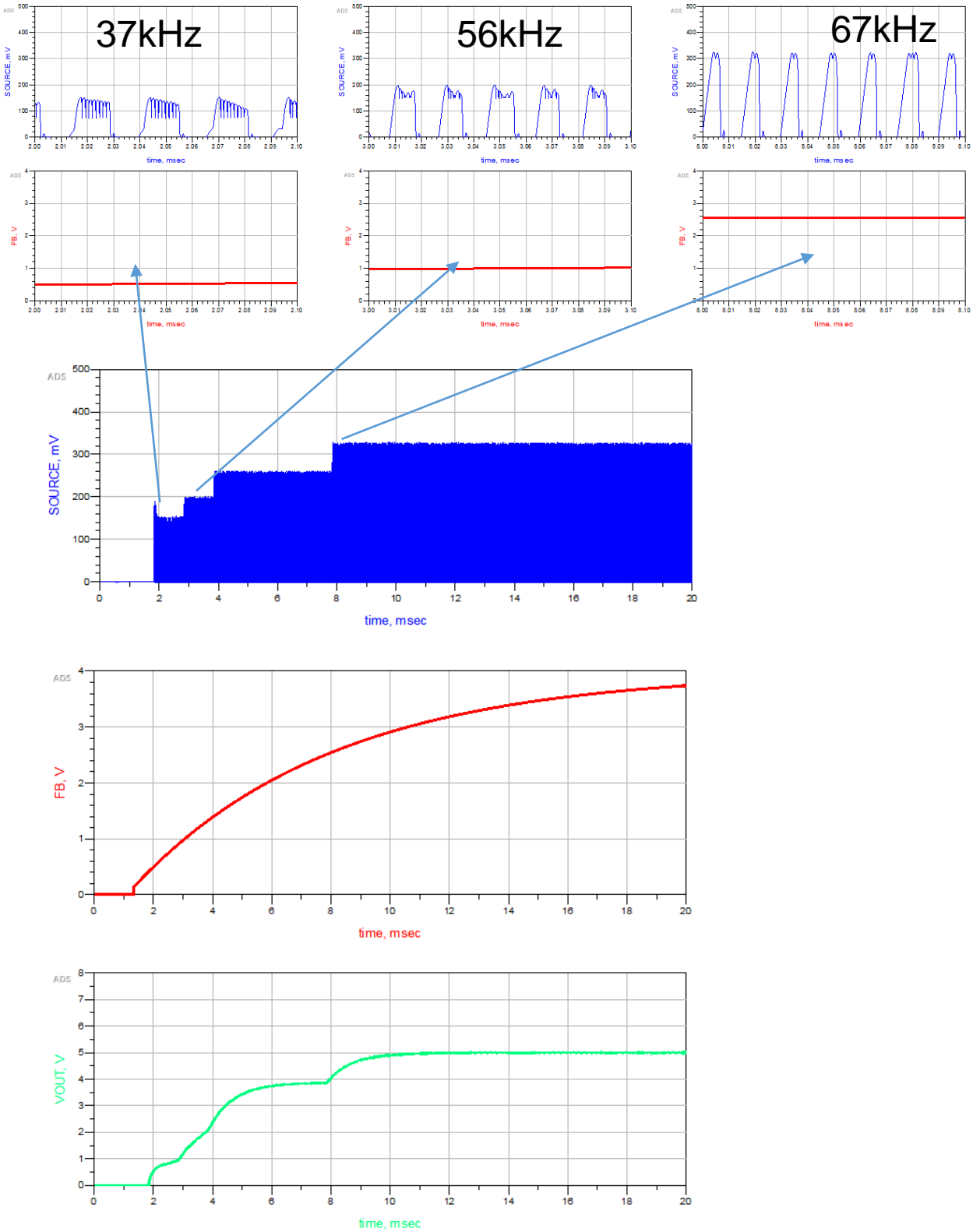


# Frequency Reduction Testbench Referred to Data Sheet



Simulation results are following.  
Explanatory notes — : simulated

## Frequency Reduction





---

## DISCLAIMER

1. This SPICE (Simulation Program with Integrated Circuit Emphasis) model and its content (the "Contents") are copyright of MoDeCH Inc. All rights reserved. Any redistribution or reproduction of any or all part of the Contents in any form is prohibited without express written permission made by MoDeCH Inc.
2. MoDeCH Inc. as licensor (the "Licensor") hereby grants to you, as licensee (the "Licensee"), a non-exclusive, non-transferable license to use the Contents as long as you abide by the terms and conditions of this DISCLAIMER.
3. The Licensee is not authorized to sell, loan, rent and redistribute or license the Contents in whole or in part, or in modified form, to anyone.
4. The Licensor shall in no way be liable to the Licensee or any third party for any loss or damage (including, but not limited to, lost profits, or other incidental, consequential, or punitive damages), however caused (including through negligence) which may be directly or indirectly suffered from, arising out of, or in connection with, any use of the Contents .
5. Notwithstanding anything contained in this DISCLAIMER, in no event shall Licensor be liable for any claims, damages or loss which may arise from the modification, combination, operation or use of the Contents with the Licensee's computer programs.
6. The Licensor does not warrant that the Contents will function in any environment.
7. The Contents may be changed or updated without notice. MoDeCH Inc. may also make improvements and/or changes in the products, pricing and/or the programs related to the Contents at any time without notice.



---

MoDeCH Inc.

Head Office

Location: 5-15 Yokoyama-cho, Hachioji-Shi, Tokyo 192-0081, Japan

Tel:+81-42-656-3360

E-Mail:[model-on-support@modech.co.jp](mailto:model-on-support@modech.co.jp)

URL:<http://www.modech.com/en/>