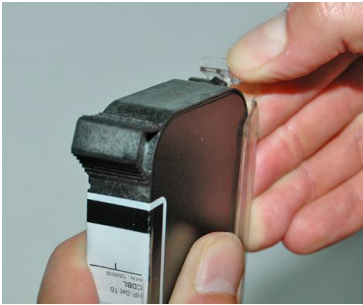


## Storing your ink cartridges



To ensure optimum performance of your cartridges, they should be stored away from direct sunlight and kept between 10-30 °C.

To prevent ink cartridges from drying out when they are not in use they should be removed from the printer and stored in a cartridge clip (CartClip).



### To insert the ink cartridge in the CartClip:

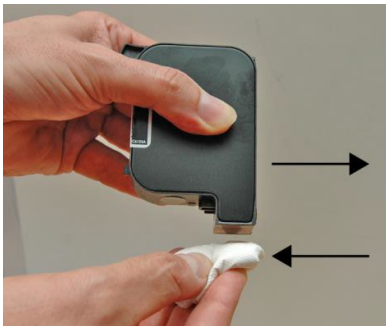
1. Close the CartClip over the ink cartridge and press down until the top flap snaps into the holder.

### To remove the ink cartridge from the CartClip:

1. Lift the top flap of the CartClip until the ink cartridge is released.
2. Pull the ink cartridge upward out of the CartClip.

## Cleaning the ink cartridge

- To be done if print quality deteriorates during printing or after extended period of non-use.



During printing the print quality may deteriorate due to dust and ink vapour.

To clean the cartridge correctly, follow these steps:

1. Remove the ink cartridge from the holder.
2. Hold the ink cartridge with the nozzle plate facing downwards.
3. Using a lint-free cloth, slowly and without applying pressure, wipe across the nozzle plate in the direction of the arrow.
4. Re-insert the ink cartridge in the holder.

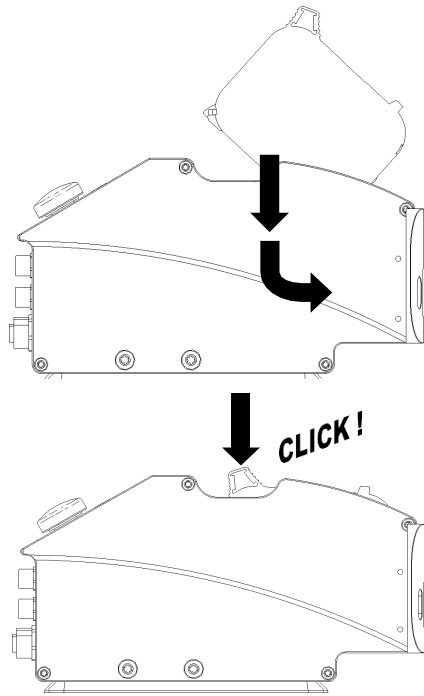
**Do not shake the ink cartridge.**

**CAUTION - Incorrect cleaning may scratch the nozzles of the ink cartridges, causing blurred print images.**

## Inserting/removing the ink cartridge

**CAUTION - damage can be caused due to improper ink cartridge replacement.**

Only replace the cartridge when the printer is switched off.



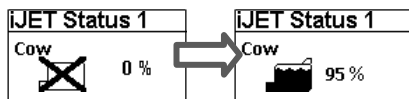
#### NOTE

Use the ink cartridge as soon as possible after removing the protective foil.

1. Remove protective foil from the nozzle plate.
2. Wipe the nozzle plate with a lint free cloth
3. Insert the ink cartridge at a 45-degree angle into the printer to avoid damaging pin connectors.
4. Push down on the tab of the cartridge until a 'click' is heard.

#### NOTE

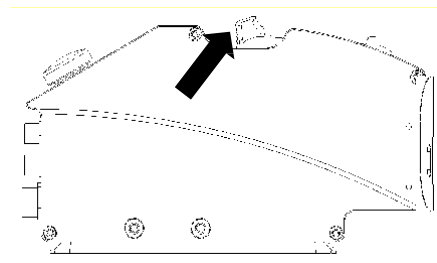
If a new ink cartridge without a 'smart-chip' is inserted, the cartridge counter must be reset.



5. Once the cartridge is seated correctly the display will show the ink percentage remaining.

#### NOTE

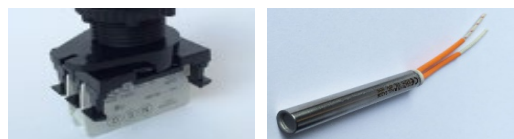
If a cross is showing, ensure cartridge is seated correctly.



#### To remove the ink cartridge from the print head:

1. Lightly press the tab of the cartridge.
2. Tip the ink cartridge forward.
3. Remove the ink cartridge at a 45-degree angle while lifting upwards to avoid damaging pin connectors.

Call us on 01707 393700 to hear about our service exchange or maintenance contracts



Selecting the correct consumables for your machine ensures trouble-free operation. Visit our website to find out more - [www.rotechmachines.com](http://www.rotechmachines.com)