

RAMCO Engineering

Instructions For Repairing Convex Glass

Tools and Materials Required

Putty Knife, Straight Screwdriver
Silicone, Glass Cleaner, Clean Cloth

Instructions

Use instructions for **BEFORE 2005 OR 2005 and NEWER To Remove Old Flat Glass**

(Glued on Convex Assemblies **2000 and Older Models**)

Step 1: Removing Glued On Convex Assembly

A: Remove the Convex Glass Assembly by placing a warm putty knife between the Convex Skirt and Convex Mechanism, and separate the Skirt from the Convex Mechanism. Be sure to clean any residue from the Convex Mechanism. (**diag. 1**)

Note: Step B is only required if the Convex Mechanism needs to be replaced. If not, skip to Step 2.

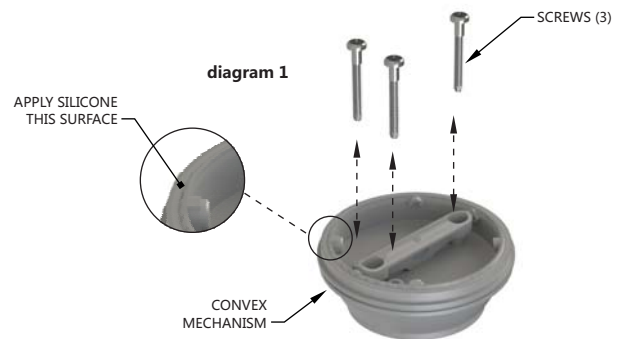
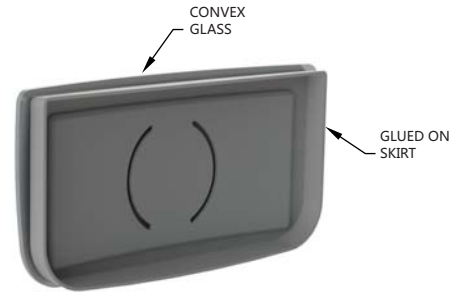
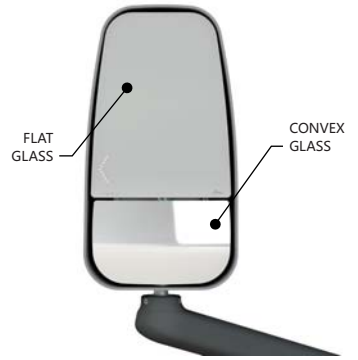
B: After removing the Convex Glass Assembly, remove the Convex Mechanism by using a phillips headscrew driver, removing three (3) Screws, and pulling it away from the Mirror Head. Set Screws aside.

Step 2: Installing Glued On Convex Assembly

Note: Step A is only required if the Convex Mechanism needs to be replaced. If not, skip to Step B.

A: Reattach the Convex Mechanism to your Mirror Head Assembly by replacing the Mechanism on bosses, and reinstalling three (3) Screws with phillips head screwdriver (**diag. 1**)

B: Apply silicone adhesive around the edge of the Convex Mechanism, and position the new Convex Glass Assembly directly over the Convex Mechanism, and gently press into place. Ramco Engineering recommends allowing 24 hours or more for the silicone to cure before use.



(Snap-on Convex Assemblies **2000 and Newer Models**)

Step 1: Removing Snap-On Convex Assembly

A: Remove the Convex Glass Assembly by placing both hands on the top portion of the Convex Skirt. Pull the Skirt up, and out, unsnapping the Convex Glass assembly from the Convex Mechanism (**diag. 2**)

Note: Step B is only required if the Convex Mechanism needs to be replaced. If not, skip to Step C.

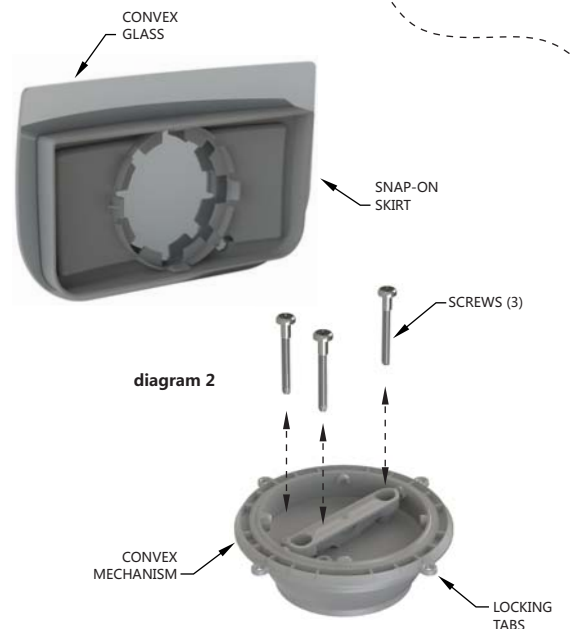
B: After removing the Convex Glass Assembly, remove the Convex Mechanism with a phillips head screwdriver, removing three (3) Screws, and pulling it away from the Mirror Head. Set Screws aside.

Step 2: Installing New Flat Glass / Snap Ring

Note: Step A is only required if the Convex Mechanism is being replaced. If not, skip to Step B.

A. Reattach the Convex Mechanism to your Mirror Head Assembly by placing the Mechanism on bosses, and reinstalling three (3) Screws with phillips headscrew driver. (**diag. 2**)

B. Position the Snap-On Convex Glass Assembly directly over the Convex Mechanism. Press firmly in the center of the Glass until you hear the Convex Skirt snap into place. (**diag. 2**)



For Further Assistance, Please Call Ramco Engineering Customer Service:
800.321.4819 or 574.266.1455 / 2805 Frederic Drive · Elkhart · Indiana · 46514

RAMCO MAY 2021