

SHURFLO 4048 HIGH FLOW PUMP

RV FRESH WATER PUMP – PRODUCT TECHNICAL DATA SHEET



Multi-fixture RV fresh water pump installation.
This pump may be used for general fresh water transfer

PUMP DESIGN:

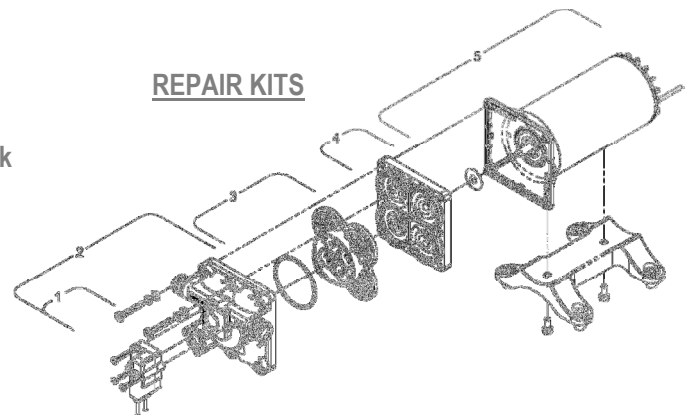
Type: 4 Chamber Diaphragm pump
 Check Valve: (1-way operation) Prevents Reverse Flow
 Ports: ½”-14 NPSM-Male
 Liquid: 130°F [54°C] Max
 Dry-Prime: 6 feet [1.82 M]
 Run Dry: Yes
 Inlet Pressure: 30 PSI Max. [2.06 Bar]

Aftermarket model includes:

- 50 Mesh strainer: swivel straight adapter ½-14 NPT (hex-wing nut) X ½-14 NPS (male)
- Fittings: swivel straight adapter ½-14 NPT (hex-wing nut) x ½ barb (Qty. 2)

ELECTRICAL:

Motor: 12V DC Permanent Magnet, Intermittent Duty
 Protection: Thermal Overload, Automatic Restart
 Leads: 14 AWG, 14 ¾” [37 cm] Red +, 13” [33 cm] Black
 Fuse: 15 Amp Recommended
 Control: Shut-Off 55 PSI [3.8 Bar] ± 2 PSI [0.13 Bar]
 Re-start 40 PSI [2.8 Bar] ± 2 PSI [0.13 Bar]
 Maximum By-Pass 65 PSI [4.5 Bar] ± 2 PSI [0.13 Bar]



MATERIALS OF CONSTRUCTION:

Housings: Polypro
 Valves/Seals: EPDM
 Diaphragm: Santoprene
 Hardware: Stainless Steel

AGENCY APPROVALS:

CSA, CE

SHIPPING INFORMATION:

Approx. Net Weight: 7.9 Pounds [3.5 Kg] ea.
 Carton Qty.: 6
 Approx. Carton Weight: 50 Lbs. [22.6 Kg]
 Approx. Carton Size: 24”L X 18”W X 6”H [61cm x 46cm x 15cm]

Number	Description	Part Number
*1	Pressure Switch	94-801-05
*1,2	Upper Assembly	94-801-01
3	Valve Assembly	94-800-01
4	Drive Assembly	94-801-02
5	Motor	94-71-001-07
*1,2,3,4	Pump Head	94-801-04
Not Shown	Check Valve	94-800-03

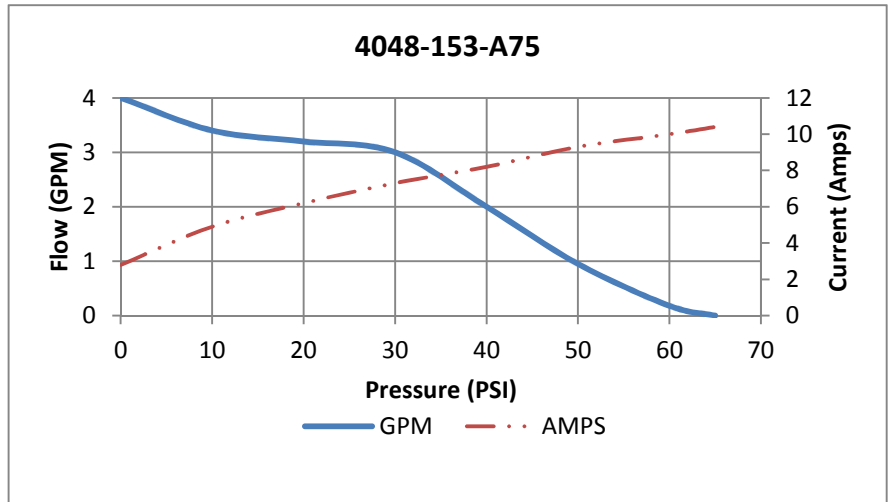
*With preset switch and by-pass adjustment

RELATED DOCUMENTS:

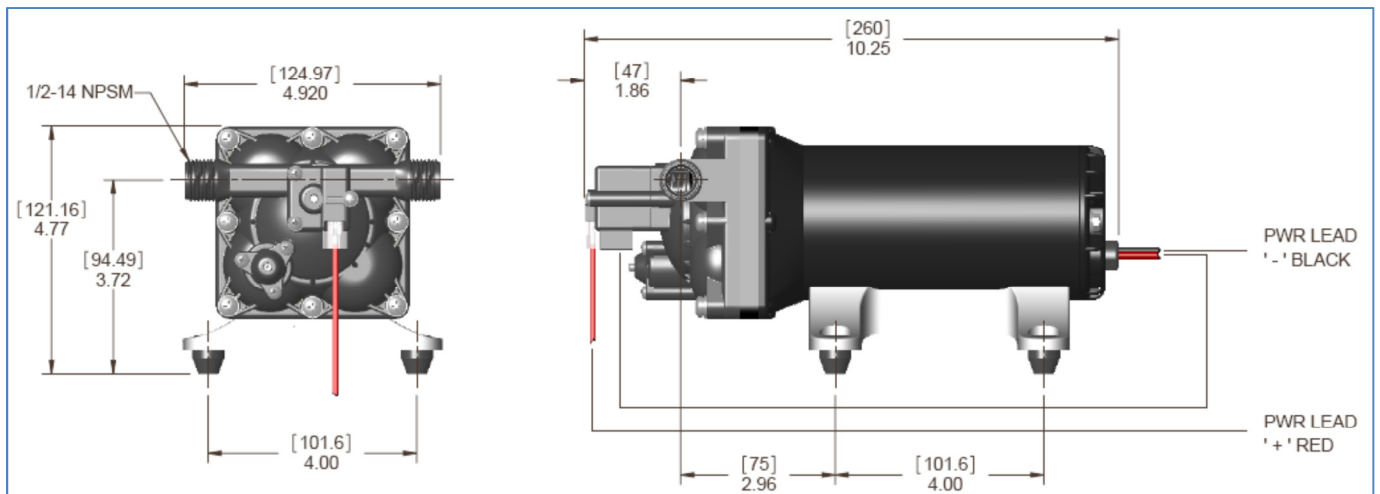
Catalog:	MS-030-138
App Guide Sheet	MS-020-005
Installation Manual:	911-1024
Aftermarket Warranty:	911-1044

TYPICAL PERFORMANCE AT 12V

PRESSURE		FLOW		CURRENT
BAR	PSI	GPM	LPM	AMPS
0	0	4.0	15.1	2.8
0.7	10	3.4	12.8	4.9
1.4	20	3.2	12.1	6.2
2.1	30	3.0	11.3	7.3
2.8	40	2.0	5.79	8.2
3.4	50	0.95	7.57	9.3
4.1	60	0.18	0.68	10.0
4.5	65	0	0	10.4



DIMENSIONS [mm]



3545 Harbor Gateway South, Suite 103, Costa Mesa, CA 92626, (800) 854-3218 www.SHURFLO.com

All Pentair trademarks and logos are owned by Pentair, Inc. All other brand or product names are trademarks or registered marks of their respective owners. Because we are continuously improving our products and services, Pentair reserves the right to change specifications without prior notice. Pentair is an equal opportunity employer.

4048-153-A75 [E75] Rev. 04/16 2012 - 2016 ©Pentair, Inc. All Rights Reserved.