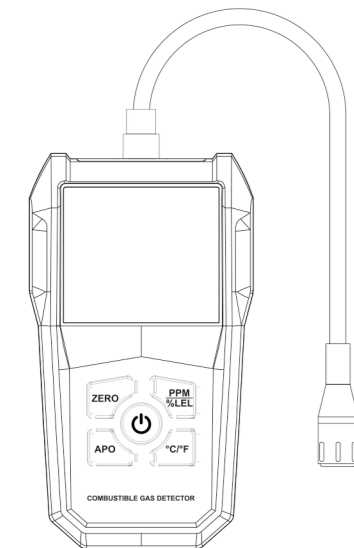


USER MANUAL

COMBUSTIBLE GAS DETECTOR



Please read this manual carefully before using this product and keep it properly for future use

1

ENGLISH

OUT OF BOX AUDIT

After receiving the instrument, please check whether it is damaged in transit. If obvious damage or abnormal operation function is found, please contact the seller.

PRODUCT INTRODUCTION

Combustible gas detector adopts portable design, VA reverse display color screen, double body Protection, flexible metal hose, and metal induction shield can reduce interference. Use high performance sensor, it has high sensitivity, good reliability, and fast response speed.

The detector is suitable for gas pipeline leakage detection, domestic gas prevention, oil and gas exploitation, tunnel and mine operation, chemical industry, metallurgy, refining and chemical industry, biochemical medicine and other industries.

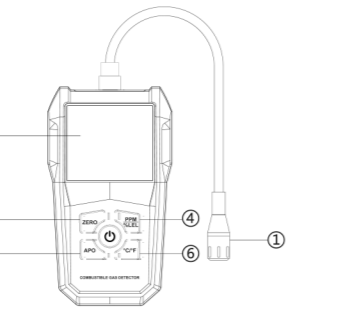
- Rules for design, production and verification of this product: > JJG693-2011 (combustible gas detection alarm)
- Please read the instruction manual before use and follow all the operation. Otherwise, it will endanger the lives of people and cause damage to equipment.
- To avoid faults and accidents, the detector should not be placed in the following environments: direct sunlight, high temperature, humidity, dust, strong electromagnetic environment, corrosivity or mechanical vibration.

ENGLISH

FEATURES OF THE COMBUSTIBLE GAS DETECTOR

- > Flexible hose is suitable for all kinds of scene detection.
- > Simple operation, quick response and high sensitivity and accurate leakage detection.
- > HD VA reverse color screen, digital and analog dual display.
- > %LEL and PPM measurement units switch.
- > APO, turn off and turn on the Auto Power Off Function.
- > Sound Alarm and LCD Display Alarm.

INTRODUCTION OF APPEARANCE

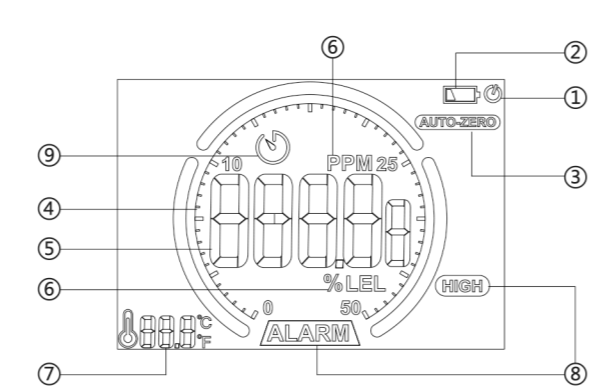


- ① Probe
- ② Display
- ③ ZERO reset key
- ④ %LEL/PPM unit switch key
- ⑤ APO automatic shutdown function switch
- ⑥ °C/°F unit switch

2

ENGLISH

INTRODUCTION OF DISPLAY



- ① Automatic shutdown symbol
- ② Battery undervoltage symbol
- ③ AUTO-ZERO reset
- ④ Analog display
- ⑤ Digital display
- ⑥ Measurement unit
- ⑦ Temperature display
- ⑧ HIGH/ALARM alarm prompt
- ⑨ Timing symbol

3

ENGLISH

PRECAUTIONS BEFORE MEASUREMENT

- When the instrument is turned on, it will enter the automatic calibration mode and count down for 30 seconds. In the calibration mode, the instrument can only be placed in the normal gas environment or away from the gas leakage environment, otherwise the measured value will be affected.
- The metal detection protective net of the instrument must be kept clean and dry. If there is any pollution, twist off the protective net immediately to clean it, otherwise the measurement result may be affected.
- When the instrument screen appears (), it means that the battery is insufficient. To prevent the measurement result from being affected by insufficient battery, please replace the battery immediately.
- The instrument shall not be used in the environment containing water vapor, acid gas, alkaline gas, strong oxidizing gas and heavy dust.

AUTOMATIC SHUTDOWN FUNCTION

The device will automatically shut down if there is no operation after 10 minutes. Press the APO button to cancel the automatic shutdown function when device is working.

4

ENGLISH

HOW TO USE

- Press the () key for a long time to start the unit, and the instrument will be automatically calibrated in 30 seconds. After the countdown, the instrument can be used normally.
- Press the (%LEL/PPM) key shortly to switch the measurement unit.
- Press the (°C/°F) key shortly to change the unit of °C/°F.
- Press the (APO) key shortly to turn off or turn on the automatic shutdown function.
- Press the (ZERO) key shortly and start to reset automatically after counting down for 5 seconds.
- Move the instrument probe slowly to the position where there may be gas leakage. If the detected gas leakage value is above 25%LEL/12500PPM, the instrument will sound, and the screen will display HIGH and ALARM flash alarms. When the detected value decreases to 25%LEL/12500PPM, the alarm will stop.

5

ENGLISH

TECHNICAL PARAMETERS

Product name	Combustible gas detector
Detecting gas	Natural gas, coal gas and liquefied petroleum gas
Detection flow	1L/min
Gas resolution	1%LEL/1PPM
Temperature resolution	0.1°C/0.2°F
Gas measurement range	1-100%LEL/50-50000PPM (Based on CH4)
Temperature measurement range	0~50°C/32~122°F ± (2°C/4°F)
Power supply	1.5V X 3 AAA
Measurement accuracy	±5%FS
Sampling mode	Diffusion type
Response speed	2 seconds
Calibration mode	Automatic calibration after starting up for 30 seconds
Automatic shut-down	About 10 minutes
Color VA reverse display screen	Yes
Type of alarm	Sound, screen display
Preheating time	30 seconds
Working current	190mA
Working temperature	0-50°C
Working humidity	0-70%RH
Storage environment	-10~50°C (5%---95%RH)
Length of flexible metal hose	270mm
Size	130*73*33mm
Weight excluding battery about	230g

6

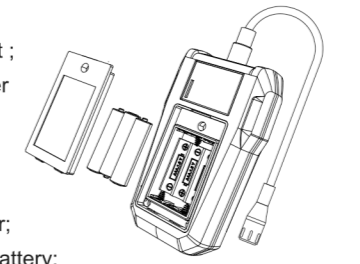
ENGLISH

MAINTENANCE

- > Do not fall or impact the instrument.
- > It is forbidden to disassemble the instrument to avoid failure.
- > In case of long-term storage, please take out the battery to prevent battery leakage.
- > The instrument should be far away from high temperature, humidity, corrosive gases or objects.
- > The instrument shall be cleaned with a small amount of water or neutral detergent soft cloth for the surface to be naturally air-dried.

REPLACE THE BATTERY

- Shut down the instrument ;
- Unscrew the battery cover screw on the back of the detector; (Photo of instrument battery cover)
- Remove the battery cover;
- Take out the exhausted battery;
- Install the new battery according to the correct polarity;
- Install the battery cover and tighten the fixing screws;



7

ENGLISH

ACCESSORIES

1. Combustible gas detector	1 Set
2. 1.5V×3AAA battery	3 Pieces
3. Product manual	1 Copy
4. Cloth bag	1 Piece

8

USER MANUAL

Made in China



Please read this manual carefully before using this product and keep it properly for future use