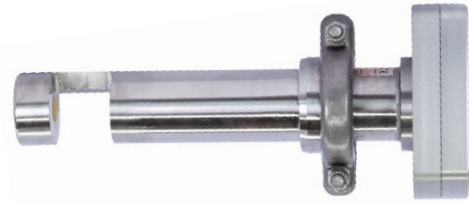
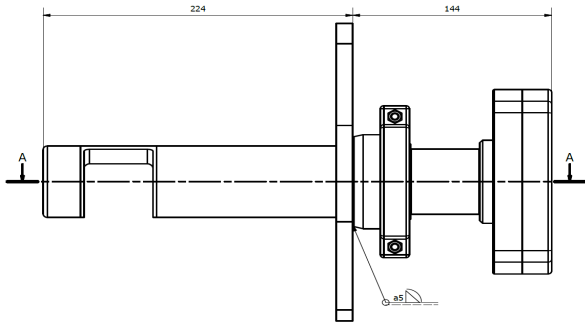


**Datasheet:
Inmec Model IL Assembly
With flange adapters**

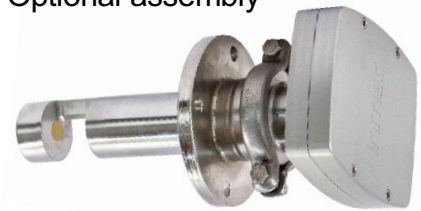
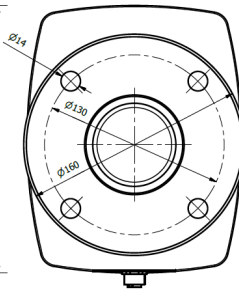
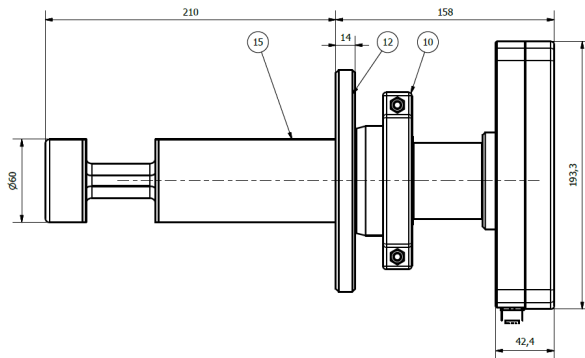
Standard assembly



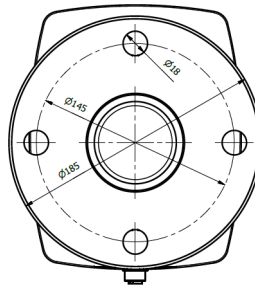
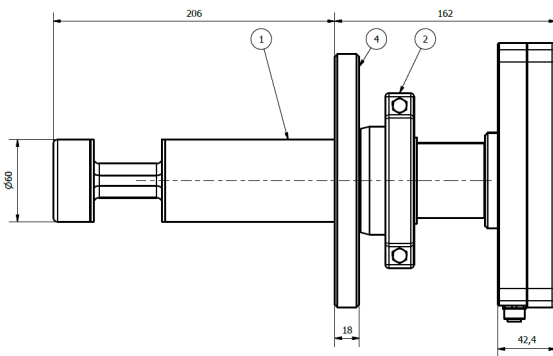
Model IL Union-L quick coupling,
Pressure rating: 10 Bar

Note: Assembly with adapters follow 10 bar rating

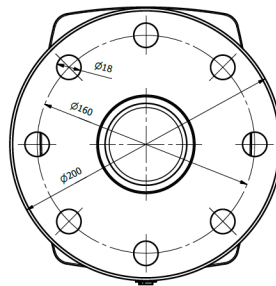
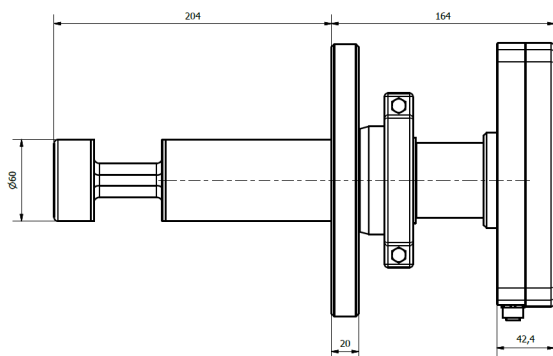
Optional assembly



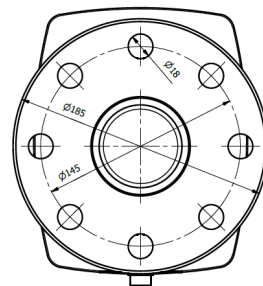
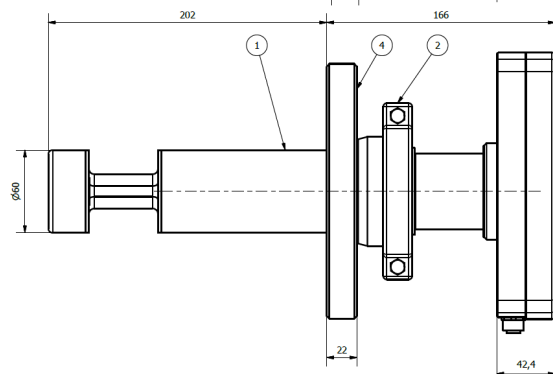
Model IL assembly
with Adapter DN65-PN6



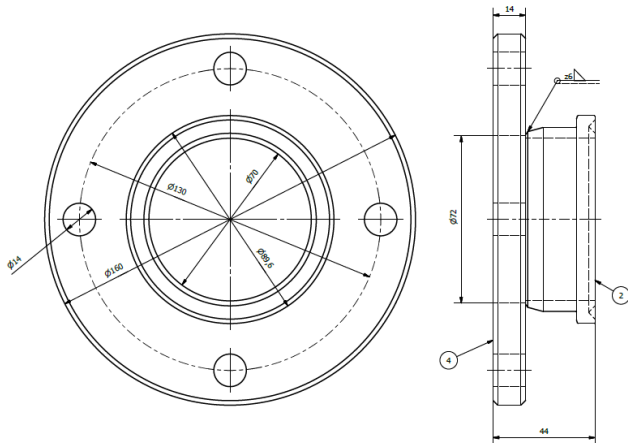
Model IL assembly
with Adapter DN65-PN10 & PN16



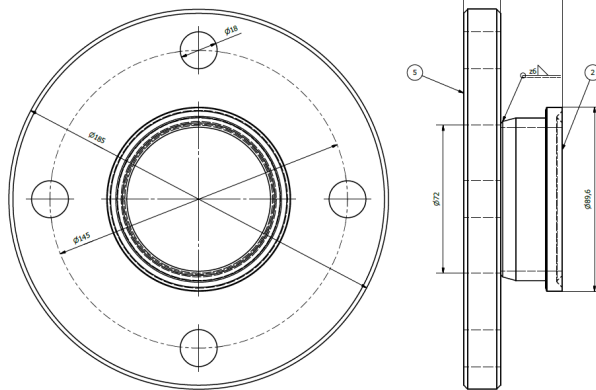
Model IL assembly
with Adapter DN80-PN16



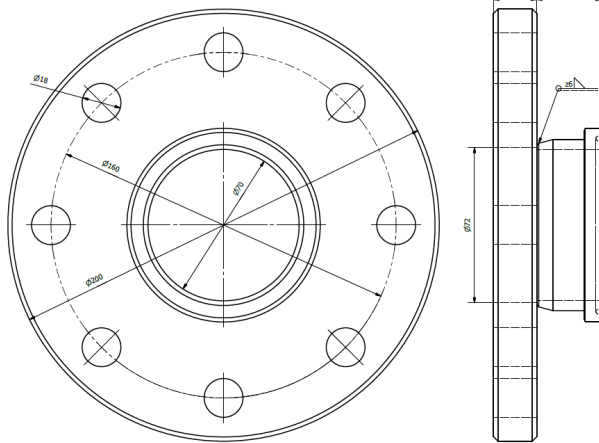
Model IL assembly
with Adapter DN65-PN25



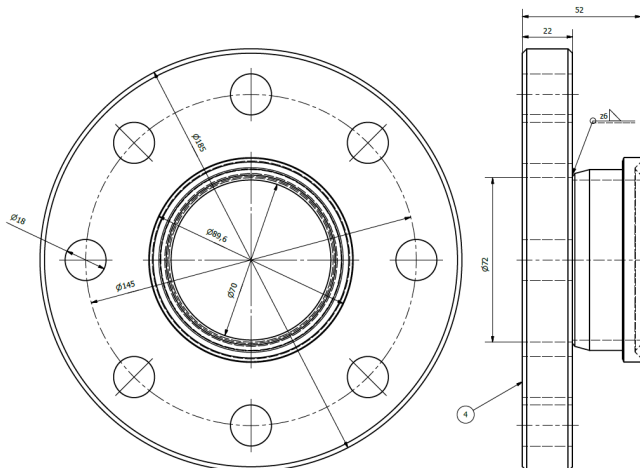
Flange adapter:
Model-IL, DN65-PN6
Product code: E700083



Flange adapter:
Model-IL, DN65-PN10/16
Product code: E700086



Flange adapter:
Model-IL, DN80-PN16
Product code: E700091



Flange adapter:
Model-IL, DN65-PN25
Product code: E700087