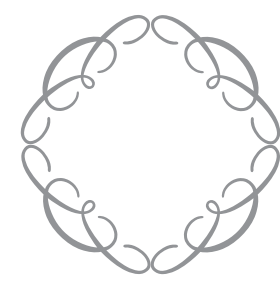


CARRINGTON

— SINCE 1780 —

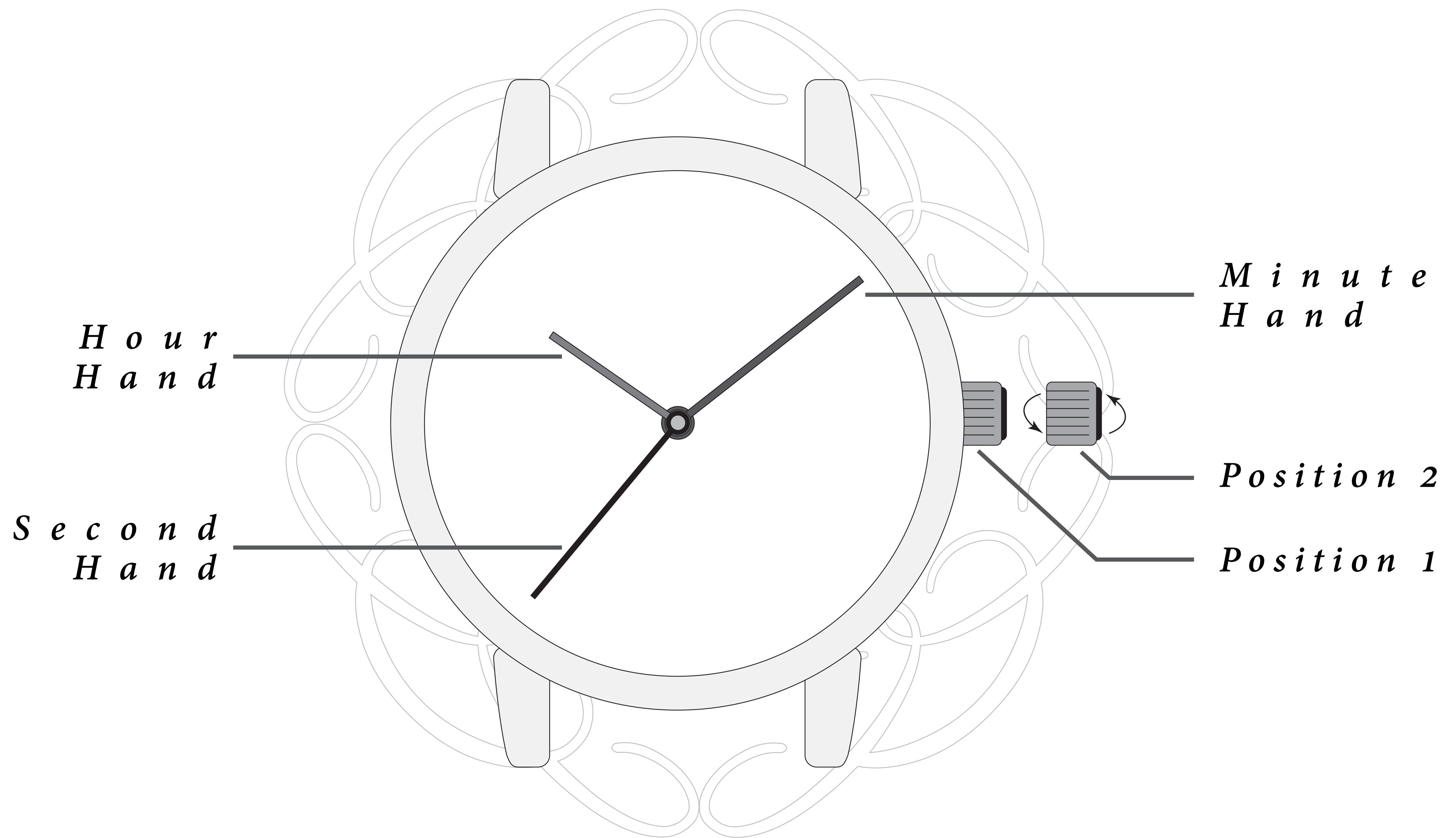
U s e r M a n u a l



CARRINGTON
— SINCE 1780 —

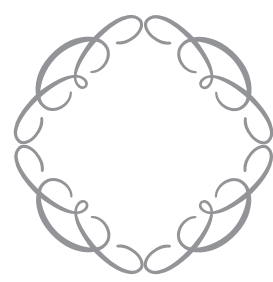
U s e r M a n u a l

A n a l o g Q u a r t z T i m e p i e c e



SETTING THE TIME

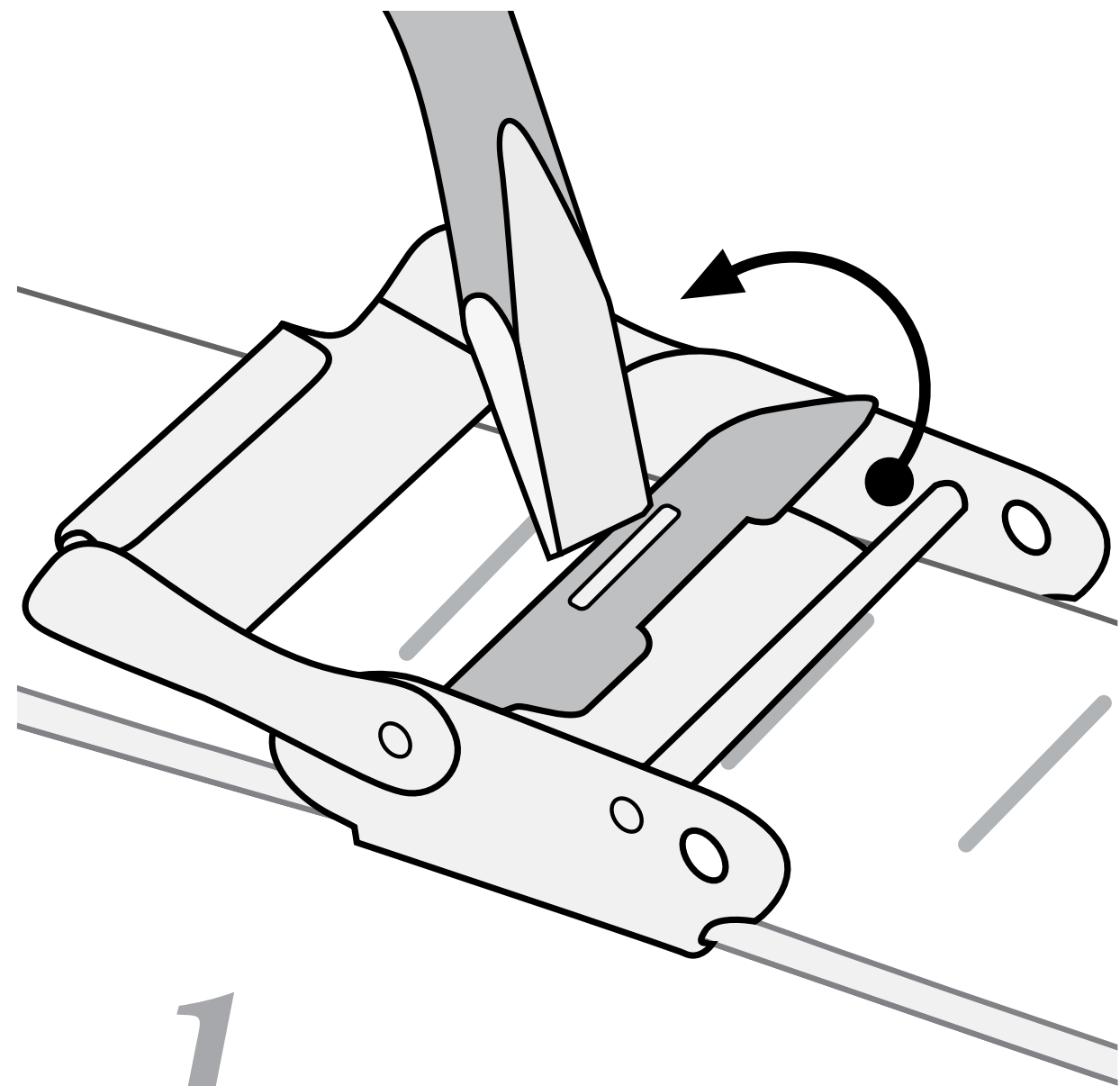
1. Pull the crown out to **Position 2**
2. Turn the crown clockwise or anti-clockwise to set correct time
3. Push the crown back to **Position 1**



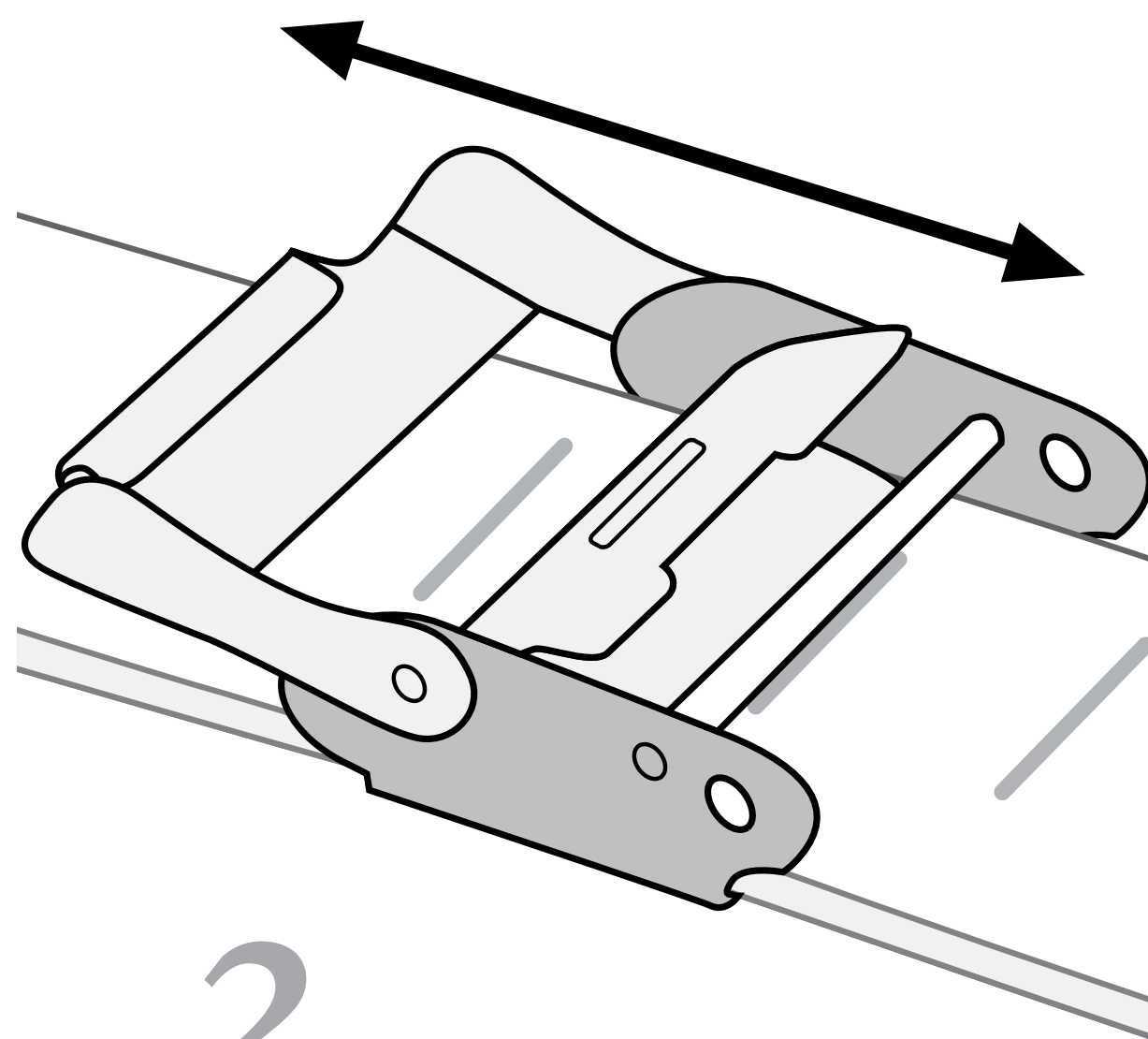
CARRINGTON
— SINCE 1780 —

Mesh Band Adjustment Manual

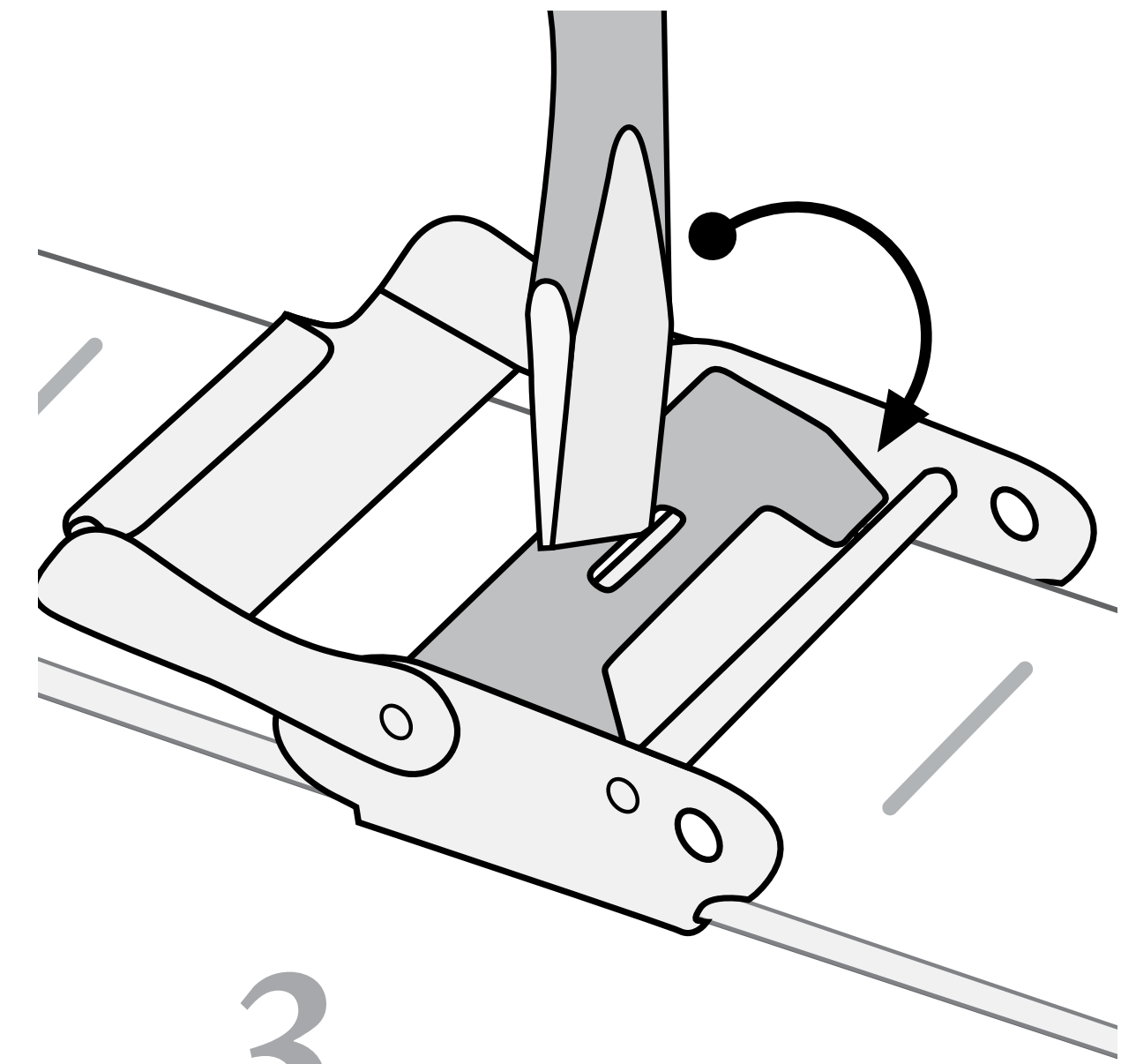
T O A D J U S T T H E B A N D



1
Lift

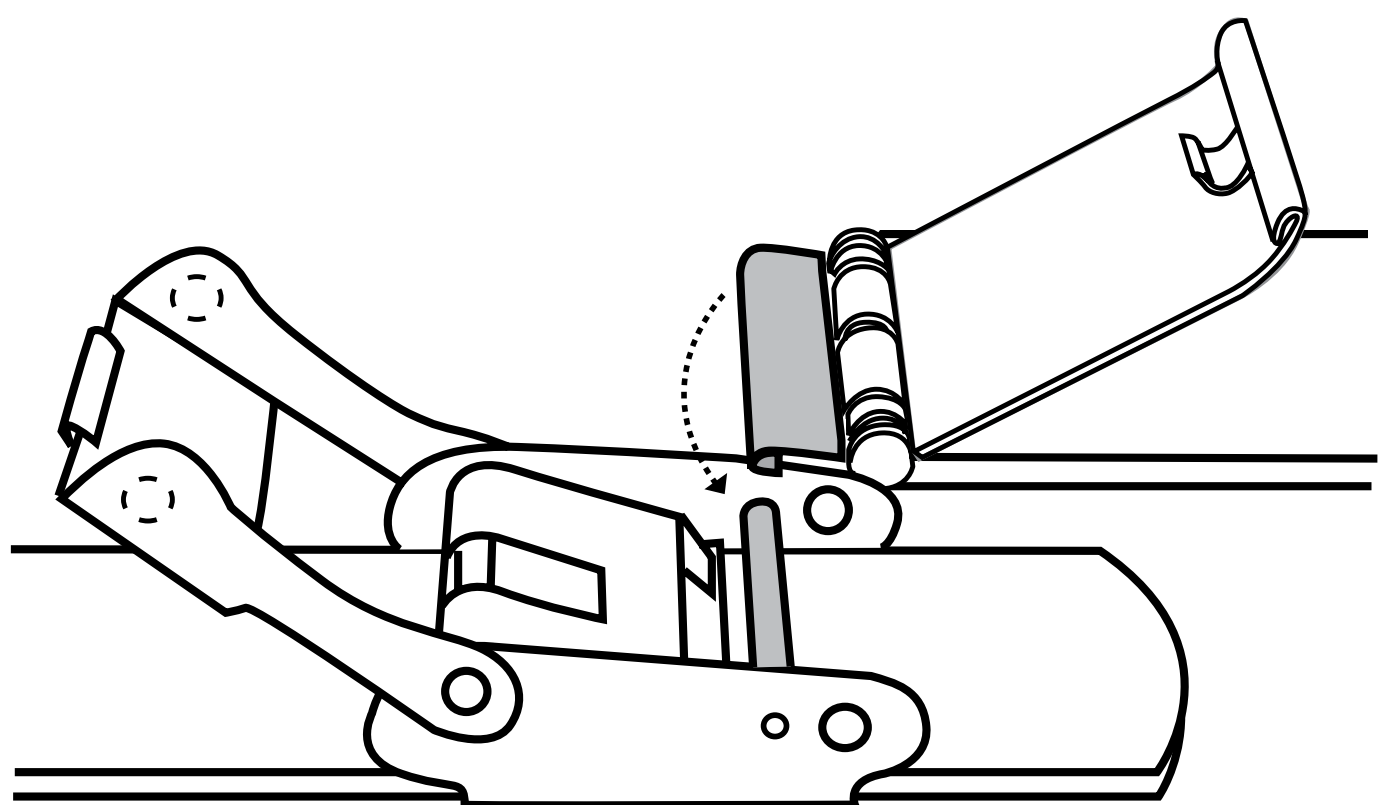


2
Shift

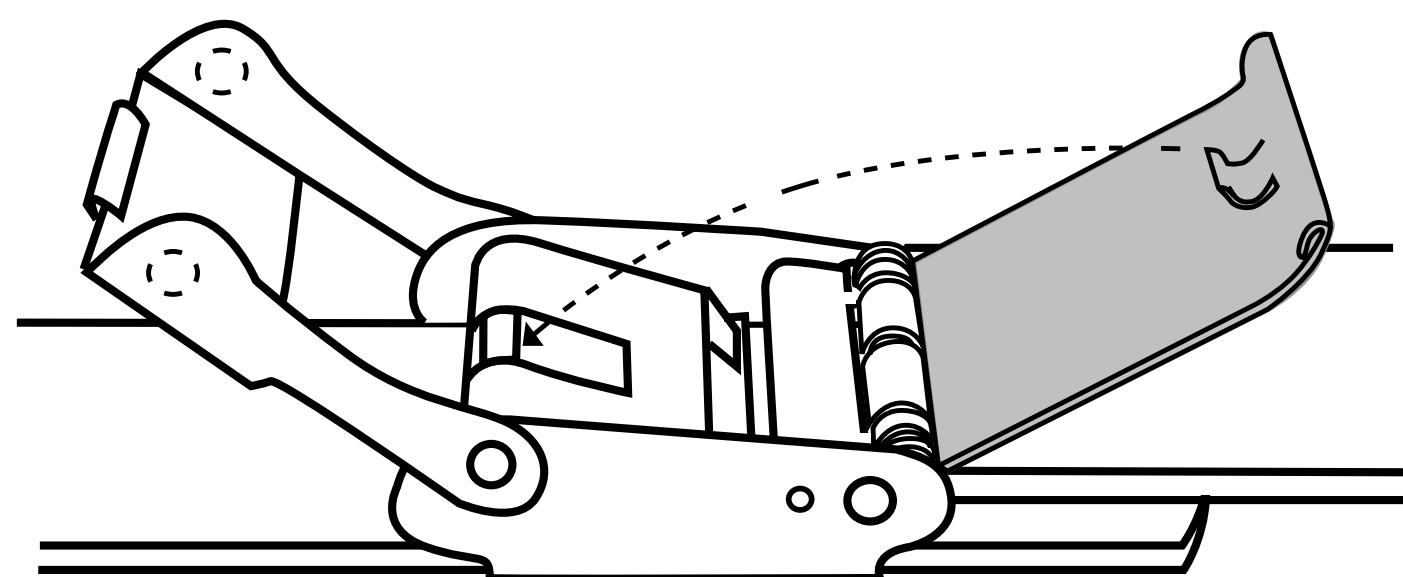


3
Press

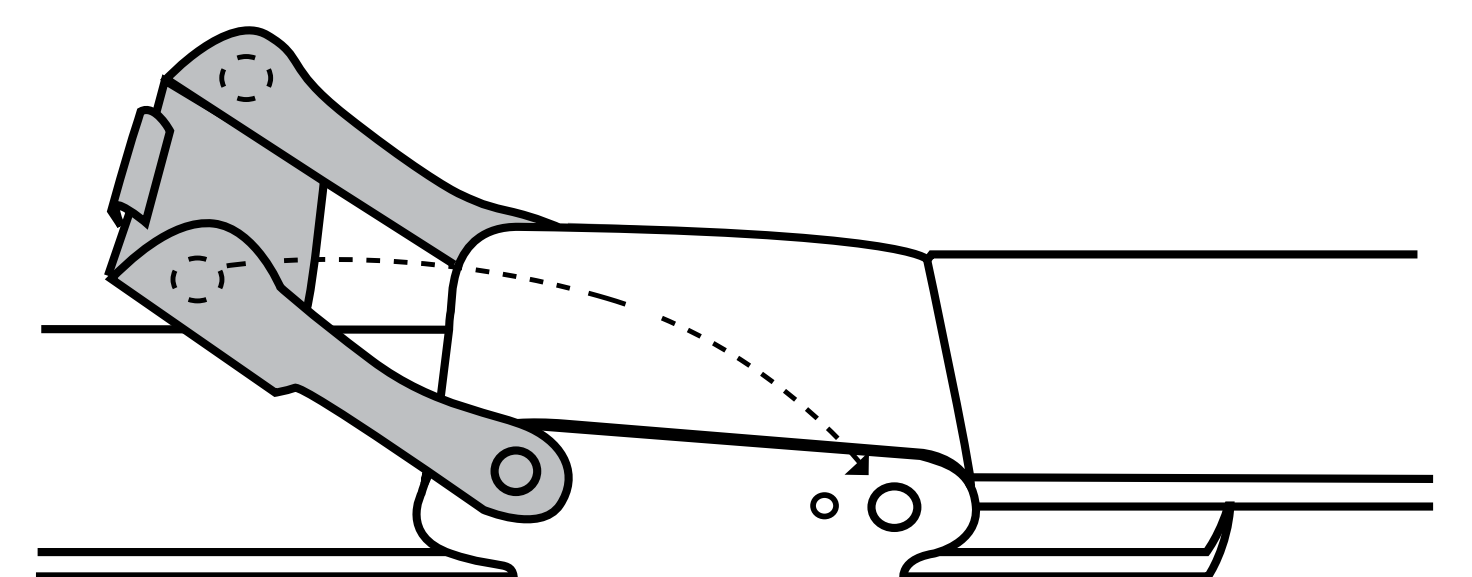
T O S E C U R E T H E B A N D



1
Hook



2
Snap



3
Clasp