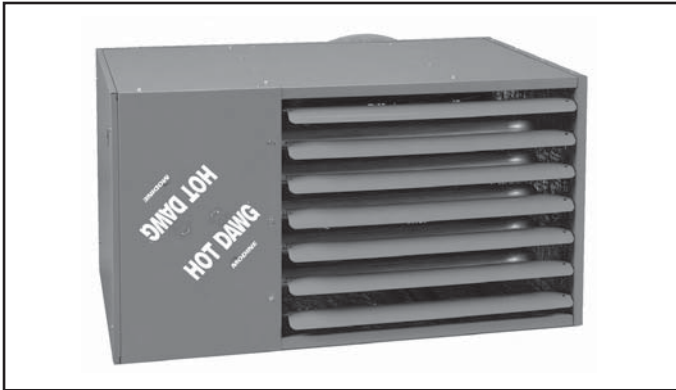


## RESIDENTIAL OWNER'S MANUAL gas-fired unit heaters models HD, HDB, HDS, and HDC



All models approved for use in California by the CEC, in New York by the MEA division, and in Massachusetts. Unit heater is certified for residential and commercial applications.

### **! WARNING**

Improper installation, adjustment, alteration, service or maintenance can cause property damage, injury or death, and could cause exposure to substances which have been determined by various state agencies to cause cancer, birth defects or other reproductive harm.

### **! WARNING**

If the information in this manual is not followed exactly, a fire or explosion may result, causing property damage, personal injury or death.

### **! CAUTION**

To prevent premature heat exchanger failure do not locate ANY gas-fired units in areas where chlorinated, halogenated or acid vapors are present in the atmosphere.

### **IMPORTANT**

All installation and service of these units ***MUST*** be performed by a qualified installation and service agency.

### **FOR YOUR SAFETY**

The use and storage of gasoline or other flammable vapors and liquids in open containers in the vicinity of this appliance is hazardous.

### **FOR YOUR SAFETY**

#### WHAT TO DO IF YOU SMELL GAS:

- Open windows.
- Do not try to light any appliance.
- Do not touch any electrical switch; do not use any phone in your building.
- Immediately call your gas supplier from a neighbor's phone. Follow the gas supplier's instructions.
- If you cannot reach your gas supplier, call your fire department.

# IMPORTANT

All installation and service of these units ***MUST*** be performed by a qualified installation and service agency.

## INTRODUCTION AND GENERAL COMMENTS

### Congratulations on Your New Purchase

Thank you for choosing Modine's low profile, Hot Dawg™ unit heater. We are convinced that you will be pleased with the design and quality of this heater. You should receive years of trouble-free heat and comfort from the Hot Dawg with proper maintenance and care.

### Keep the Heater Area Clear:

1. Do not use the area around the heater for storage.
2. Never obstruct the air openings into the heater.
3. Never place any items (paper, tools, etc.) on top of the heater. There are air openings on the top of the heater.
4. Do not place any combustible materials (paper, wood, cloth, etc.) next to the heater or vent.

### Supply Air:

1. Make certain that the fan guard in the rear of the heater is unobstructed.
2. For optimum performance, do not completely close the deflector blades. If needed, adjust the deflector blades slightly to direct the air towards the ground.
3. When initially started in a cold environment, the air coming out of the heater may not feel warm. As the temperature in the environment increases, and as the heat exchanger tubes become hot, the air temperature coming out of the heater will increase.

### Combustion Air: (Power Vented Unit Only)

This gas-fired unit heater must be supplied with adequate combustion air. Today's current construction techniques, which result in tighter homes and buildings (or significantly less air infiltration from the outside), makes it more important than ever that heating equipment have adequate combustion air.

The installer of this unit heater has determined what it takes to be assured that your unit heater has adequate combustion air. If this heater has been installed in a confined space, two permanent openings (one near the top of the enclosure and one near the bottom) have been provided. These two openings must freely communicate with areas having adequate combustion infiltration from the outside. Do not block or alter in any way the combustion air openings.

### It is very important to abide by the following:

1. Do not block or alter in any way the combustion air openings.
2. Refrain from creating excessive amounts of dust near the heater (i.e. saw dust from sanding, cutting, etc.)
3. Do not use or store corrosive chemicals in the area near the heater (these include pool chlorine, fertilizers, etc.)
4. Refrain from prolonged use of ventilation fans or hoods as this may deplete the amount of combustion air.

## GENERAL OPERATIONAL INFORMATION

### Start Up - General

**Before start up, it is important to read the "For Your Safety Read Before Operating" message below. This message also appears on the access cover of your Hot Dawg gas-fired unit heater. The message follows:**

#### FOR YOUR SAFETY READ BEFORE OPERATING

**WARNING:** If you do not follow these instructions exactly, a fire or explosion may result causing property damage, personal injury or death.

- A. This appliance does not have a pilot flame. It is equipped with an ignition device which automatically lights the burner.
- B. BEFORE OPERATING smell all around the appliance area for gas. Be sure to smell next to the floor because some gas is heavier than air and will settle on the floor.

#### WHAT TO DO IF YOU SMELL GAS:

- Do not try to light any appliance.
- Do not touch any electric switch; do not use any phone in your building
- Immediately call your gas supplier from a neighbor's phone. Follow the gas supplier's instructions.
- If you cannot reach your gas supplier, call the fire department.
- C. Use your hand to move the gas control switch. Never use tools. If the switch will not move, don't try to repair it; call a qualified technician. Force or attempted repair may result in a fire or explosion.
- D. Do not use this appliance if any part has been under water. Immediately call a qualified service technician to inspect the appliance and replace any part of the control system and any gas control which has been under water.

#### The control operating sequence of your gas-fired unit heater is as follows:

- Upon a call for heat from the thermostat, power is supplied to the power exhaust motor.
- The unit will go through a pre-purge period.
- The igniter provides for the establishment of the flame while the main valve in the control opens to allow gas flow to the burners.
- If the fan motor has not already started, it will start shortly.
- If a burner flame is not sensed for any reason, the main valve will close and there will be a short purge period before ignition is tried again.
- If the flame is not sensed after four tries there will be at least a one hour wait before ignition is tried again.

### Shut Down - General:

#### TO TURN OFF GAS TO APPLIANCE

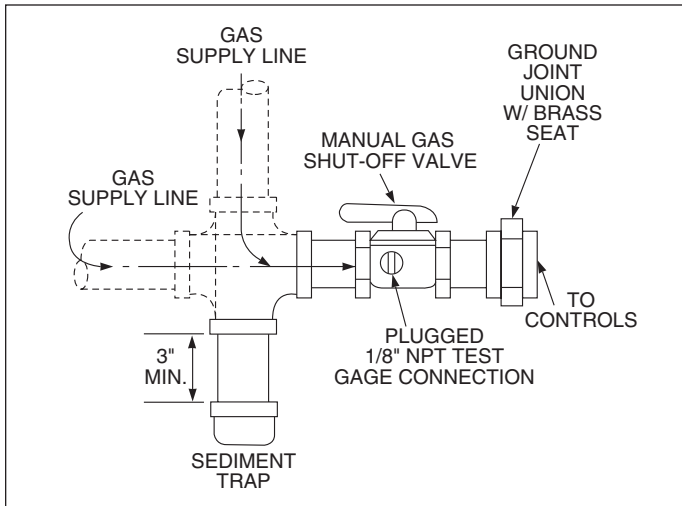
1. Set thermostat to lowest setting.
2. Turn manual shut-off valve located outside of the unit to the closed position (see Figure 1).
3. Turn off all electric power to the appliance if service is to be performed.
4. Remove access panel.
5. Turn the gas valve switch to the "OFF" position.
6. Replace the access panel.

# IMPORTANT

**All installation and service of these units *MUST* be performed by a qualified installation and service agency.**

TROUBLESHOOTING INFORMATION	MAINTENANCE
<p><b>General</b> There are a few troubleshooting items that you may perform. They are listed below. All other troubleshooting <b>MUST BE PERFORMED BY A QUALIFIED INSTALLATION AND SERVICE AGENCY.</b></p> <p><b>If the heater does not light .....</b></p> <ol style="list-style-type: none"> <li>1. Make sure the thermostat is set above room temperature.</li> <li>2. Make sure there is power to the heater (check the circuit breaker).</li> <li>3. Make sure the main gas supply is on (check the manual shut-off valve outside the unit and make sure it is in the open position - see Figure 1).</li> <li>4. If none of the above solve the problem, contact a qualified installation and service agency.</li> </ol> <p><b>Air feels cold coming out of the heater .....</b></p> <ol style="list-style-type: none"> <li>1. Make sure the burner lit. If it didn't, refer to "If heater does not light" above.</li> <li>2. If the room WAS cold, it will take a while for the air coming out of the heater to feel warm.</li> <li>3. If the air coming out of the heater continues to feel cold after 5 minutes and the room is not warming up, contact a qualified installation and service agency.</li> </ol>	<p><b>It is recommended that a qualified installation and service agency inspect the heater and vent system prior to each heating season.</b></p> <p>There are no components behind the service access door that are serviceable by the homeowner, however, there are a few checks that you can do:</p> <p><b>(REMEMBER TO ALWAYS TURN OFF THE POWER AND SET THERMOSTAT TO THE LOWEST SETTING BEFORE PERFORMING ANY MAINTENANCE TO THE HEATER)</b></p> <ol style="list-style-type: none"> <li>1. Periodically dust and clean the heater.</li> <li>2. Periodically remove the dust from the fan blades.</li> <li>3. Remove the deflector blades and vacuum inside the heat exchanger area.</li> <li>4. The motors on the heater (power exhaust and fan) do NOT require oiling. They are permanently lubricated at the factory. DO NOT attempt to oil the motors.</li> </ol>

**Figure 1**  
**Recommended Piping to Controls**



• Manual shut-off valve is in "off" position when perpendicular to pipe.

# COMMERCIAL WARRANTY

Seller warrants its products to be free from defects in material and workmanship, EXCLUSIVE, HOWEVER, of failures attributable to the use of materials substituted under emergency conditions for materials normally employed. This warranty covers replacement of any parts furnished from the factory of Seller, but does not cover labor of any kind and materials not furnished by Seller, or any charges for any such labor or materials, whether such labor, materials or charges thereon are due to replacement of parts, adjustments, repairs, or any other work done. This warranty does not apply to any equipment which shall have been repaired or altered outside the factory of Seller in any way so as, in the judgment of Seller, to affect its stability, nor which has been subjected to misuse, negligence, or operating conditions in excess of those for which such equipment was designed. This warranty does not cover the effects of physical or chemical properties of water or steam or other liquids or gases used in the equipment.

**BUYER AGREES THAT SELLER'S WARRANTY OF ITS PRODUCTS TO BE FREE FROM DEFECT IN MATERIAL AND WORKMANSHIP, AS LIMITED HEREIN, SHALL BE IN LIEU OF AND EXCLUSIVE OF ALL OTHER WARRANTIES, EITHER EXPRESS OR IMPLIED, WHETHER ARISING FROM LAW, COURSE OF DEALING, USAGE OF TRADE, OR OTHERWISE, THERE ARE NO OTHER WARRANTIES, INCLUDING WARRANTY OF MERCHANTABILITY OR FITNESS FOR PURPOSE, WHICH EXTEND BEYOND THE PRODUCT DESCRIPTION CONFIRMED BY BUYER AND SELLER AS OF THE DATE OF FINAL AGREEMENT.**

This warranty is void if the input to the product exceeds the rated input as indicated on the product serial plate by more than 5% on gas-fired and oil-fired units, or if the product in the judgment of SELLER has been installed in a corrosive atmosphere, or subjected to corrosive fluids or gases, been subjected to misuse, negligence, accident, excessive thermal shock, excessive humidity, physical damage, impact, abrasion, unauthorized alterations, or operation contrary to SELLER'S printed instructions, or if the serial number has been altered, defaced or removed.

BUYER'S REMEDY FOR BREACH OF WARRANTY, EXCLUSIVE OF ALL OTHER REMEDIES PROVIDED BY LAW, IS LIMITED TO REPAIR OR REPLACEMENT AT THE FACTORY OF SELLER, ANY COMPONENT WHICH

SHALL, WITHIN THE APPLICABLE WARRANTY PERIOD DEFINED HEREIN AND UPON PRIOR WRITTEN APPROVAL, BE RETURNED TO SELLER WITH TRANSPORTATION CHARGES PREPAID AND WHICH THE EXAMINATION OF SELLER SHALL DISCLOSE TO HAVE BEEN DEFECTIVE; EXCEPT THAT WHEN THE PRODUCT IS TO BE USED BY BUYER AS A COMPONENT PART OF EQUIPMENT MANUFACTURED BY BUYER, BUYER'S REMEDY FOR BREACH, AS LIMITED HEREIN, SHALL BE LIMITED TO ONE YEAR FROM DATE OF SHIPMENT FROM SELLER. FOR GAS-FIRED PRODUCTS INSTALLED IN HIGH HUMIDITY APPLICATIONS AND UTILIZING STAINLESS STEEL HEAT EXCHANGERS, BUYER'S REMEDY FOR BREACH, AS LIMITED HEREIN, SHALL BE LIMITED TO TEN YEARS FROM DATE OF SHIPMENT FROM SELLER.

These warranties are issued only to the original owner-user and cannot be transferred or assigned. No provision is made in these warranties for any labor allowance or field labor participation. Seller will not honor any expenses incurred in its behalf with regard to repairs to any of Seller's products. No credit shall be issued for any defective part returned without proper written authorization (including, but not limited to, model number, serial number, date of failure, etc.) and freight prepaid.

#### OPTIONAL SUPPLEMENTAL WARRANTY

Provided a supplemental warranty has been purchased, Seller extends the warranty herein for an additional four (4) years on certain compressors. Provided a supplemental warranty has been purchased, Seller extends the warranty herein for an additional four (4) years or nine (9) years on certain heat exchangers.

#### EXCLUSION OF CONSUMABLES & CONDITIONS BEYOND SELLER'S CONTROL

The above referenced warranty shall not be applicable to any of the following items: refrigerant gas, belts, filters, fuses and other items consumed or worn out by normal wear and tear or conditions beyond Seller's control, including (without limitation as to generality) polluted or contaminated or foreign matter contained in the air or water utilized for heat exchanger (condenser) cooling or if the failure of the part is caused by improper air or water supply, or improper or incorrect sizing of power supply.

<b>Component</b> Applicable Models	<b>"APPLICABLE WARRANTY PERIOD"</b>
<b><u>Heat Exchangers</u></b> Gas-Fired Unit Heaters	TEN YEARS FROM DATE OF FIRST BENEFICIAL USE BY BUYER OR ANY OTHER USER, WITHIN TEN YEARS FROM DATE OF RESALE BY BUYER OR ANY OTHER USER, WITHIN TEN YEARS FROM DATE OF RESALE BY BUYER IN ANY UNCHANGED CONDITION, OR WITHIN ONE HUNDRED TWENTY-SIX MONTHS FROM DATE OF SHIPMENT FROM SELLER, WHICHEVER OCCURS FIRST
<b><u>Heat Exchangers</u></b> Low Intensity Infrared Units  <b><u>Compressors</u></b> Condensing Units for Cassettes	FIVE YEARS FROM DATE OF FIRST BENEFICIAL USE BY BUYER OR ANY OTHER USER, WITHIN FIVE YEARS FROM DATE OF RESALE BY BUYER OR ANY OTHER USER, WITHIN FIVE YEARS FROM DATE OF RESALE BY BUYER IN ANY UNCHANGED CONDITION, OR WITHIN SIXTY-SIX MONTHS FROM DATE OF SHIPMENT FROM SELLER, WHICHEVER OCCURS FIRST
<b><u>Burners</u></b> Low Intensity Infrared Units  <b><u>Other</u></b> Components excluding Heat Exchangers, Coils, Condensers, Burners, Sheet Metal	TWO YEARS FROM DATE OF FIRST BENEFICIAL USE BY BUYER OR ANY OTHER USER, WITHIN TWO YEARS FROM DATE OF RESALE BY BUYER IN ANY UNCHANGED CONDITION, OR WITHIN THIRTY MONTHS FROM DATE OF SHIPMENT FROM SELLER, WHICHEVER OCCURS FIRST
<b><u>Heat Exchangers/Coils</u></b> Indoor and Outdoor Duct Furnaces and System Units, PSH/BSH, Steam/Hot Water Units, Oil-Fired Units, Electric Units, Cassettes, Vertical Unit Ventilators  <b><u>Compressors</u></b> Vertical Unit Ventilators  <b><u>Burners</u></b> High Intensity Infrared Units  <b><u>Sheet Metal Parts</u></b> All Products	ONE YEAR FROM DATE OF FIRST BENEFICIAL USE BY BUYER OR ANY OTHER USER, WITHIN ONE YEAR FROM DATE OF RESALE BY BUYER IN ANY UNCHANGED CONDITION, OR WITHIN EIGHTEEN MONTHS FROM DATE OF SHIPMENT FROM SELLER, WHICHEVER OCCURS FIRST

As Modine Manufacturing Company has a continuous product improvement program, it reserves the right to change design and specifications without notice.



**Commercial Products Group**  
 Modine Manufacturing Company  
 1500 DeKoven Avenue  
 Racine, WI 53403  
 Phone: 1.800.828.4328 (HEAT)  
 www.modine.com  
 Litho in USA

## MANUEL D'UTILISATION RÉSIDENTIELLE appareils de chauffage alimentés au gaz modèles HD, HDB, HDS et HDC



Tous nos modèles sont homologués en Californie par le CEC, dans l'État de New York par la division MEA, et au Massachusetts. L'appareil de chauffage est certifié pour des applications résidentielles et commerciales.

### **! AVERTISSEMENT**

Une installation, des réglages, des modifications ou un entretien inappropriés peuvent causer des dommages matériels, des blessures ou la mort, ainsi que l'exposition à des substances reconnues par divers organismes officiels comme causant des cancers, des malformations congénitales ou des anomalies du système reproductif.

### **! AVERTISSEMENT**

Si l'information du présent manuel n'est pas respectée exactement, il peut en résulter un incendie ou une explosion provoquant des dommages matériels, des blessures ou la mort.

### **! ATTENTION**

Pour éviter une défaillance prématurée de l'échangeur de chaleur, AUCUN appareil chauffé au gaz ne devrait être installé dans des locaux dont l'atmosphère contient des vapeurs chlorées, halogénées ou acides.

### **IMPORTANT**

Toutes les opérations d'installation et d'entretien de ces appareils **DOIVENT** être confiées à une entreprise qualifiée.

### **POUR VOTRE SÉCURITÉ**

Il est dangereux d'utiliser et de conserver de l'essence ou d'autres liquides ou gaz inflammables dans des contenants ouverts, à proximité de cet appareil.

### **POUR VOTRE SÉCURITÉ**

- SI VOUS SENTEZ UN E ODEUR DE GAZ :**
- Ouvrez les fenêtres.
  - Ne tentez pas d'allumer un appareil.
  - Ne touchez à aucun interrupteur électrique et n'utilisez pas le téléphone dans votre édifice.
  - Appelez immédiatement votre fournisseur de gaz de chez un voisin. Suivez les instructions du fournisseur de gaz.
  - Si vous ne pouvez pas contacter votre fournisseur de gaz, appelez les pompiers.

# IMPORTANT

Toutes les opérations d'installation et d'entretien de ces appareils **DOIVENT** être confiées à une entreprise qualifiée.

## INTRODUCTION ET OBSERVATIONS GÉNÉRALES

### Félicitations pour votre nouvel achat

Merci d'avoir choisi l'appareil de chauffage Hot Dawg™ à profil bas de Modine. Nous sommes convaincus que vous serez satisfait de la conception et de la qualité de cet appareil. Avec un entretien adéquat, cet appareil de chauffage Hot Dawg vous offrira des années de chauffage et de confort sans problème.

### Dégagez l'aire de l'appareil de chauffage :

1. N'utilisez pas l'espace entourant l'appareil de chauffage pour l'entreposage.
2. Ne bloquez jamais les ouvertures d'air de l'appareil de chauffage.
3. Ne placez jamais d'articles (papier, outils, etc.) sur l'appareil de chauffage. Il y a des ouvertures d'air sur le dessus de l'appareil de chauffage.
4. Ne placez pas de matériaux combustibles (papier, bois, tissus, etc.) près de l'appareil de chauffage ou de l'extraction.

### Alimentation d'air :

1. Assurez-vous que la grille de protection à l'arrière de l'appareil de chauffage est dégagée.
2. Ne fermez pas complètement les lames de déflecteurs pour obtenir un rendement optimal. Au besoin, réglez légèrement les lames pour diriger l'air vers le sol.
3. Lors du démarrage en milieu froid, l'air provenant de l'appareil de chauffage peut ne pas sembler chaud. À mesure qu'augmente la température ambiante et que les tubes de l'échangeur de chaleur se réchauffent, la température de l'air provenant de l'appareil de chauffage augmente.

### Air de combustion : (Appareil à soufflante d'extraction uniquement)

Cet appareil de chauffage alimenté au gaz doit recevoir un air de combustion suffisant. Il est plus important que jamais que l'appareil de chauffage reçoive un air de combustion adéquat car les techniques de construction actuelles résultent en des maisons et des bâtiments plus étanches (ou qui sont beaucoup moins infiltrés par l'air extérieur).

L'installateur de cet appareil de chauffage a déterminé ce qui était nécessaire pour assurer un air de combustion suffisant. Si cet appareil a été installé dans un espace clos, deux ouvertures permanentes (près des extrémités supérieure et inférieure de l'enceinte) sont fournies. Ces deux ouvertures doivent communiquer librement avec des zones ayant une infiltration de combustion adéquate de l'extérieur. Ne bloquez d'aucune façon ces ouvertures d'air de combustion.

### Il est très important de se conformer à ce qui suit :

1. Ne bloquez d'aucune façon ces ouvertures d'air de combustion.
2. Évitez de créer trop de poussière près de l'appareil de chauffage (par ex. sciure provenant du ponçage, de la coupe, etc.).
3. N'utilisez et n'entrez pas de produits chimiques corrosifs près de l'appareil de chauffage (soit du chlore pour piscine, des engrais, etc.).
4. Évitez d'utiliser de manière prolongée les ventilateurs ou les hottes de ventilation car cela peut réduire le volume d'air de combustion.

## RENSEIGNEMENTS GÉNÉRAUX DE FONCTIONNEMENT

### Démarrage - Généralités

**Avant le démarrage, il est important de lire le message « A lire avant l'utilisation, pour votre sécurité » ci-dessous. Ce message apparaît aussi sur le panneau d'accès de votre appareil de chauffage Hot Dawg alimenté au gaz. Le message est le suivant :**

#### À LIRE AVANT L'UTILISATION, POUR VOTRE SÉCURITÉ

**AVERTISSEMENT :** Le non-respect de ces instructions peut être la cause d'un incendie ou d'une explosion entraînant des dommages matériels, des blessures ou la mort.

- A. Cet appareil n'a pas de veilleuse d'allumage. Il est équipé d'un dispositif d'allumage automatique du brûleur.
- B. AVANT L'ALLUMAGE, sentez autour de l'appareil pour détecter une éventuelle fuite de gaz. Faites-le aussi à proximité du plancher car le gaz est plus lourd que l'air et s'accumule dans les parties basses.

#### SI VOUS SENTEZ UNE ODEUR DE GAZ :

- Ne tentez pas d'allumer un appareil.
  - Ne touchez à aucun interrupteur électrique et n'utilisez pas le téléphone dans votre édifice.
  - Appelez immédiatement votre fournisseur de gaz de chez un voisin. Suivez les instructions du fournisseur de gaz.
  - Si vous ne pouvez pas contacter votre fournisseur de gaz, appelez les pompiers.
- C. Manoeuvrez le commutateur de gaz à la main. Jamais avec des outils. S'il ne bouge pas, n'essayez pas de le réparer, faites appel à un technicien qualifié. Le fait de le forcer ou de tenter de le réparer peut provoquer un incendie ou une explosion.
  - D. N'utilisez pas un appareil dont une partie a été en contact avec l'eau. Faites immédiatement vérifier l'appareil par un technicien d'entretien qualifié qui remplacera toute pièce du système de commande et tout régulateur de gaz qui a été immergé dans l'eau.

#### L'ordre d'exécution des opérations de votre appareil de chauffage alimenté au gaz est le suivant :

- Lorsque le thermostat détecte une demande de chaleur, le moteur de la soufflante d'extraction démarre.
- L'appareil effectue un cycle de prépure.
- L'allumeur fournit la flamme tandis que la soupape principale s'ouvre pour laisser le gaz passer vers les brûleurs.
- Si le moteur du ventilateur ne tourne pas encore, il démarre peu après.
- Si une flamme du brûleur n'est pas détectée (pour une raison quelconque), la soupape principale se referme et l'appareil effectue un bref cycle de purge avant une nouvelle tentative d'allumage.
- Si la flamme n'est pas détectée après quatre tentatives, il s'écoule au moins une heure avant une nouvelle tentative d'allumage.

#### Arrêt - Généralités :

#### POUR COUPER L'ALIMENTATION EN GAZ DE L'APPAREIL

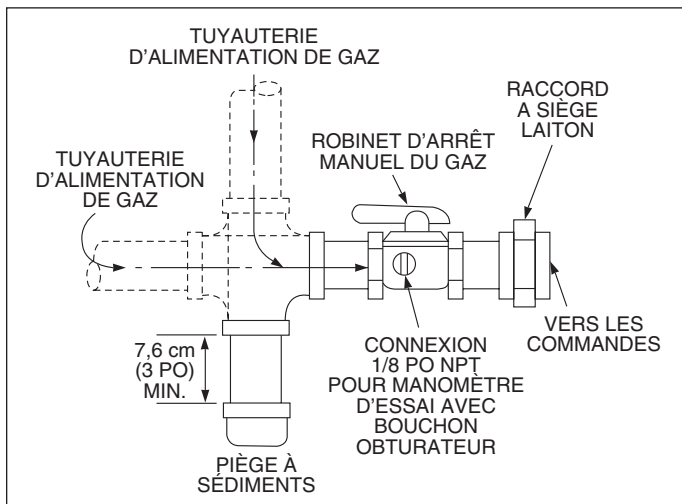
1. Réglez le thermostat au minimum.
2. Amenez le robinet d'arrêt, à l'extérieur de l'appareil, à sa position fermée (voir la figure 1).
3. Si une intervention est nécessaire, coupez toute l'alimentation électrique de l'appareil.
4. Retirez le panneau d'accès.
5. Amenez le commutateur du robinet de gaz à la position « OFF ».
6. Refermez le panneau d'accès.

# IMPORTANT

Toutes les opérations d'installation et d'entretien de ces appareils **DOIVENT** être confiées à une entreprise qualifiée.

INFORMATION DE DÉPANNAGE	ENTRETIEN
<p><b>Généralités</b></p> <p>Vous pouvez effectuer certains éléments de diagnostic de pannes. Ceux-ci sont énumérés ci-dessous. Tout autre dépannage <b>DOIT ÊTRE EFFECTUÉ PAR UNE ENTREPRISE QUALIFIÉE D'INSTALLATION ET D'ENTRETIEN.</b></p> <p><b>Si l'appareil de chauffage ne s'allume pas ....</b></p> <ol style="list-style-type: none"><li>1. Assurez-vous que le thermostat est réglé à une température supérieure à celle de la pièce.</li><li>2. Assurez-vous que l'alimentation électrique de l'appareil de chauffage fonctionne (vérifiez le disjoncteur).</li><li>3. Assurez-vous que l'alimentation principale en gaz fonctionne (vérifiez le robinet d'arrêt manuel situé à l'extérieur de l'appareil et assurez-vous qu'il est en position ouverte - voir la Figure 1).</li><li>4. Si rien de ce qui précède ne corrige le problème, contactez une entreprise qualifiée d'installation et d'entretien.</li></ol> <p><b>L'air qui provient de l'appareil de chauffage est froid ....</b></p> <ol style="list-style-type: none"><li>1. Assurez-vous que le brûleur est allumé. S'il ne l'est pas, consultez la rubrique « Si l'appareil de chauffage ne s'allume pas » ci-dessus.</li><li>2. Si la pièce <b>ÉTAIT</b> froide, cela prend un certain temps pour que l'air provenant de l'appareil de chauffage se réchauffe.</li><li>3. Si l'air provenant de l'appareil de chauffage est toujours froid après 5 minutes et que la pièce ne se réchauffe pas, contactez avec une entreprise qualifiée d'installation et d'entretien.</li></ol>	<p><b>Il est recommandé qu'une entreprise qualifiée inspecte l'appareil de chauffage et le système d'extraction avant chaque saison de chauffage.</b></p> <p>Il n'y a pas de composants à l'arrière de la trappe d'accès d'entretien qui sont utilisables par le propriétaire; cependant vous pouvez effectuer quelques vérifications :</p> <p><b>(RAPPELEZ -VOUS TOUJOURS DE COUPER L'ALIMENTATION ET DE RÉGLER LE THERMOSTAT AU PLUS BAS AVANT D'EFFECTUER UN ENTRETIEN SUR L'APPAREIL DE CHAUFFAGE )</b></p> <ol style="list-style-type: none"><li>1. Époussetez et nettoyez périodiquement l'appareil de chauffage.</li><li>2. Essuyez régulièrement la poussière des pales du ventilateur.</li><li>3. Démontez les lames de déflecteurs et passez l'aspirateur à l'intérieur de l'échangeur de chaleur.</li><li>4. Les moteurs de l'appareil de chauffage (soufflante d'extraction et ventilateur) NE nécessitent PAS de lubrification. Ils sont lubrifiés en usine de façon permanente. N'essayez PAS de lubrifier les moteurs.</li></ol>

**Figure 1**  
**Tuyauterie recommandée vers les commandes**



- La manette du robinet d'arrêt de gaz en position « fermer » doit être perpendiculaire au tuyau.

# GARANTIE COMMERCIALE

Le Vendeur garantit que ses produits seront dépourvus de vice de matériel et de fabrication, À L'EXCLUSION, TOUTEFOIS, de pannes imputables à l'emploi de matériels soumis à des conditions d'urgence pour les matériels normalement employés. Cette garantie couvre le remplacement de toute pièce fournie par l'usine du Vendeur, mais ne couvre pas la main-d'œuvre et les matériels non fournis par le Vendeur, de même que tous les frais pour lesdits main-d'œuvre et matériels, que cette main-d'œuvre, ces matériels ou ces frais soient dus au remplacement de pièces, réglages, réparations ou toute autre travail effectué. Cette garantie ne s'applique à aucun équipement qui a été réparé ou altéré en dehors de l'usine du Vendeur de telle manière à compromettre sa stabilité, selon le Vendeur, ou a été soumis à une utilisation abusive, une négligence ou des conditions d'utilisation non conformes à celles pour lesquelles cet équipement a été conçu. Cette garantie ne couvre pas les effets des propriétés physiques ou chimiques de la vapeur, de l'eau ou d'autres liquides ou gaz utilisés dans l'équipement.

L'ACHETEUR ACCEPTE QUE LA GARANTIE DU VENDEUR POUR SES PRODUITS, À SAVOIR L'ABSENCE DE VICES DE MATÉRIELS ET DE FABRICATION, TELLE QUE LIMITÉE EN CECI, REMPLACERA ET EXCLURA TOUTE AUTRE GARANTIE, EXPRESSE OU TACITE, QUE LADITE GARANTIE DÉCOULE DE LA LOI, D'UNE CONDUITE HABITUELLE, DE L'USAGE DU COMMERCE OU AUTRE, IL N'EXISTE AUCUNE AUTRE GARANTIE, NOTAMMENT GARANTIE DE QUALITÉ COMMERCIALE ou D'ADAPTATION À UN BUT PARTICULIER, QUI DÉPASSE LE CADRE DE LA DESCRIPTION DU PRODUIT CONFIRMÉE PAR L'ACHETEUR À LA DATE DU CONTRAT FINAL.

Cette garantie est nulle et non avenue si l'alimentation du produit dépasse l'alimentation nominale indiquée sur la plaque de série du produit de plus de 5 % pour les modèles au gaz et au mazout, ou si, selon le VENDEUR, le produit a été installé dans une atmosphère corrosive ou soumis à des fluides ou gaz corrosifs, soumis à des conditions telles que utilisation abusive, négligence, accident, choc thermique excessif, humidité excessive, dégâts physiques, impact, abrasion, altérations non autorisées ou utilisation contraire aux instructions imprimées du VENDEUR, ou si le numéro de série a été altéré, rendu invisible ou retiré.

LE RECOURS DE L'ACHETEUR EN CAS DE VIOLATION DE GARANTIE, À L'EXCLUSION DE TOUS LES AUTRES RECOURS PRÉVUS PAR LA LOI, SE LIMITE À LA RÉPARATION OU AU REMPLACEMENT, À L'USINE DU VENDEUR, DE TOUT COMPOSANT QUI SERA, DURANT LA PÉRIODE DE GARANTIE

APPLICABLE DÉFINIE EN CECI ET SUR DEMANDE ÉCRITE PRÉALABLE, RETOURNÉ AU VENDEUR AVEC LES FRAIS DE TRANSPORT PRÉPAYÉS ET CONFIRMÉ COMME ÉTANT DÉFECTUEUX SUITE À L'EXAMEN DU VENDEUR; À CECI PRÈS QUE SI LE PRODUIT DOIT ÊTRE UTILISÉ PAR L'ACHETEUR COMME UN COMPOSANT D'UN ÉQUIPEMENT FABRIQUÉ PAR L'ACHETEUR, LE RECOURS DE L'ACHETEUR EN CAS DE VIOLATION, TEL QUE LIMITÉ EN CECI, SERA LIMITÉ À UN AN À PARTIR DE LA DATE D'EXPÉDITION DE L'USINE DU VENDEUR. POUR LES PRODUITS AU GAZ INSTALLÉS DANS UNE FORTE HUMIDITÉ, LES APPLICATIONS ET UTILISANT DES ÉCHANGEURS THERMIQUES EN INOX, LE RECOURS DE L'ACHETEUR EN CAS DE VIOLATION DE GARANTIE, TEL QUE LIMITÉ EN CECI, SERA LIMITÉ À DIX ANS À PARTIR DE LA DATE D'EXPÉDITION DE L'USINE DU VENDEUR.

Ces garanties sont données uniquement au propriétaire-utilisateur initial et ne sont pas cessibles ou assignables. Aucune disposition n'est prise dans ces garanties pour la participation aux frais de main-d'œuvre sur site ou la mise à disposition de main-d'œuvre. Le Vendeur ne remboursera pas les frais encourus en son nom pour des réparations effectuées sur l'un de ses produits, quel qu'il soit. Aucun avoir ne sera fourni pour tout produit défectueux retourné sans autorisation écrite adéquate (y compris, mais sans s'y limiter, numéro de modèle, numéro de série, date de panne, etc.) et port prépayé.

## GARANTIE SUPPLÉMENTAIRE EN OPTION

Sous réserve de l'achat d'une garantie supplémentaire, le Vendeur prolonge la garantie fournie en ceci de quatre (4) années supplémentaires pour certains compresseurs. Sous réserve de l'achat d'une garantie supplémentaire, le Vendeur prolonge la garantie en ceci de quatre (4) années ou neuf (9) années supplémentaires pour certains échangeurs thermiques.

## EXCLUSION DE CONSOMMABLES ET DE CONDITIONS AU-DELÀ DU CONTRÔLE DU VENDEUR

La garantie ci-dessus ne s'applique pas aux articles suivants : gaz frigorigène, courroies, filtres, fusibles et autres articles consommés ou normalement usés ou conditions au-delà du contrôle du Vendeur, y compris (sans limitation quant à sa généralité) corps étranger, pollué ou contaminé dans l'air ou l'eau utilisé pour le refroidissement de l'échangeur thermique (condenseur) ou si la panne de la pièce est causée par une alimentation en air ou en eau inadéquate ou un tuyau d'alimentation de taille inadéquate ou incorrect.

Composant Modèles applicables	« PÉRIODE DE GARANTIE APPLICABLE »
<b>Échangeurs thermiques</b> Appareils de chauffage alimentés au gaz	DIX ANS À PARTIR DE LA DATE DE PREMIER USAGE BÉNÉFICIAIRE PAR L'ACHETEUR OU TOUT AUTRE UTILISATEUR, DIX ANS À PARTIR DE LA DATE DE REVENTE PAR L'ACHETEUR OU TOUT AUTRE UTILISATEUR, DIX ANS À PARTIR DE LA DATE DE REVENTE PAR L'ACHETEUR À L'ÉTAT INCHANGÉ OU CENT-VINGT-SIX MOIS À PARTIR DE LA DATE D'EXPÉDITION DE L'USINE DU VENDEUR, SELON LA PREMIÈRE DE CES ÉCHÉANCES.
<b>Échangeurs de chaleur</b> Modèles infrarouges de faible intensité  <b>Compresseurs</b> Condenseurs pour cassettes	CINQ ANS À PARTIR DE LA DATE DE PREMIER USAGE BÉNÉFICIAIRE PAR L'ACHETEUR OU TOUT AUTRE UTILISATEUR, CINQ ANS À PARTIR DE LA DATE DE REVENTE PAR L'ACHETEUR OU TOUT AUTRE UTILISATEUR, CINQ ANS À PARTIR DE LA DATE DE REVENTE PAR L'ACHETEUR À L'ÉTAT INCHANGÉ OU SOIXANTE-SIX MOIS À PARTIR DE LA DATE D'EXPÉDITION DE L'USINE DU VENDEUR, SELON LA PREMIÈRE DE CES ÉCHÉANCES.
<b>Brûleurs</b> Modèles infrarouges de faible intensité  <b>Autre</b> Composants à l'exclusion des échangeurs thermiques, serpentins, condenseurs, brûleurs, tôle	DEUX ANS À PARTIR DE LA DATE DE PREMIER USAGE BÉNÉFICIAIRE PAR L'ACHETEUR OU TOUT AUTRE UTILISATEUR, DEUX ANS À PARTIR DE LA DATE DE REVENTE PAR L'ACHETEUR À L'ÉTAT INCHANGÉ OU TRENTE MOIS À PARTIR DE LA DATE D'EXPÉDITION DE L'USINE DU VENDEUR, SELON LA PREMIÈRE DE CES ÉCHÉANCES.
<b>Échangeurs thermique/serpentins</b> Systèmes et aérothermes de circuit intérieurs ou extérieurs, PSH/BSH, appareils à vapeur/eau chaude, appareils au mazout, appareils électriques, cassettes, ventilateurs verticaux  <b>Compresseurs</b> Ventilateurs verticaux  <b>Brûleurs</b> Appareils à infrarouges de haute intensité  <b>Pièces en tôle</b> Tous les produits	UN AN À PARTIR DE LA DATE DE PREMIER USAGE BÉNÉFICIAIRE PAR L'ACHETEUR OU TOUT AUTRE UTILISATEUR, UN AN À PARTIR DE LA DATE DE REVENTE PAR L'ACHETEUR À L'ÉTAT INCHANGÉ OU DIX-HUIT MOIS À PARTIR DE LA DATE D'EXPÉDITION DE L'USINE DU VENDEUR, SELON LA PREMIÈRE DE CES ÉCHÉANCES

Comme la Modine Manufacturing Company a un programme d'amélioration permanente de ses produits, elle se réserve le droit de modifier la conception et les caractéristiques techniques sans préavis.



**Commercial Products Group**  
Modine Manufacturing Company  
1500 DeKoven Avenue  
Racine, WI 53403  
Phone: 1.800.828.4328 (HEAT)  
www.modine.com  
Impression lithographique aus É-U