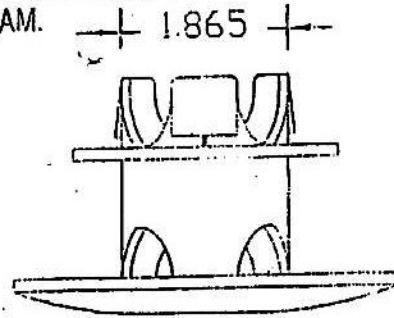
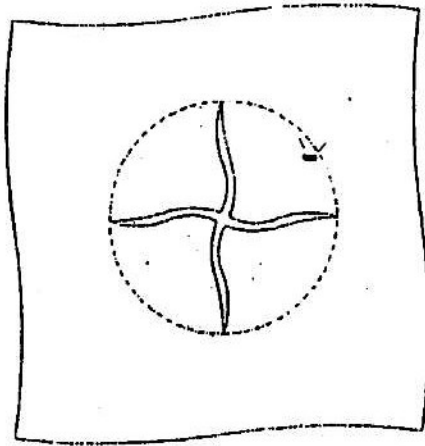


INFLATION BLOWER/BRACKET INSTALLATION INSTRUCTIONS

TO INSERT BUSHING CUT PLASTIC AS SHOWN. DO NOT CUT ROUND HOLE. DO NOT CUT X LARGER THAN NEEDED SEE DIAGRAM.



POLYETHYLENE COVER (OUTSIDE LAYER)

DEFLECTOR/BUSHING (INSERT THROUGH POLY AND BRACKET AND ROTATE 60 DEGREES)

NOTE: IF HOUSE IS ALREADY COVERED REMOVE TOP LAYER OF PLASTIC AT BASEBOARD. SEPARATE THE PLASTIC AND INSERT THE DEFLECTOR/BUSHING INTO THE BLOWER. THEN REATTACH TOP LAYER OF PLASTIC TO BASEBOARD

