

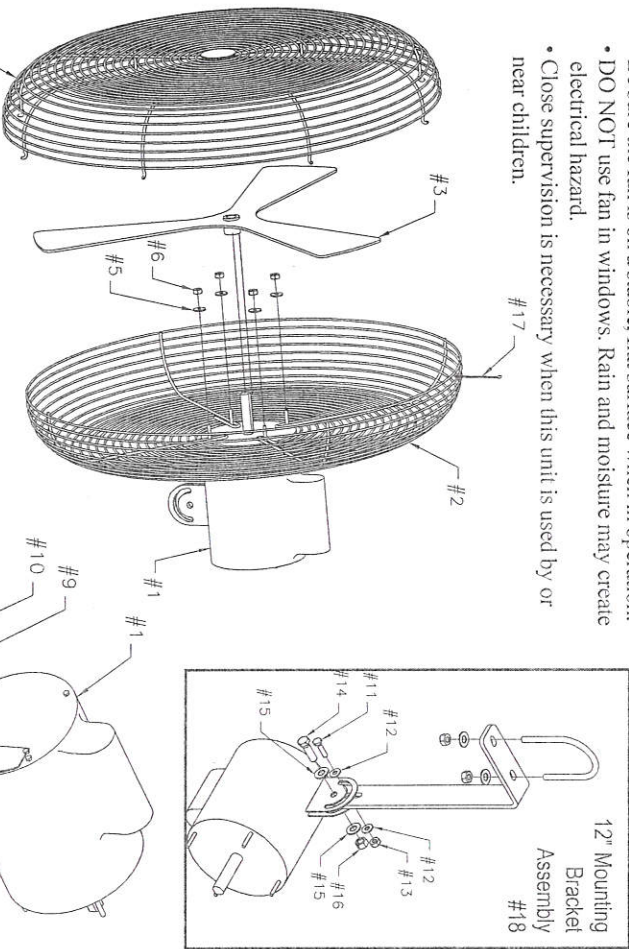
ASSEMBLY & OPERATING INSTRUCTIONS FOR BASKET FAN

CAUTION: Read and follow all instructions before operating fan. Do not use fan if any part is damaged or missing.

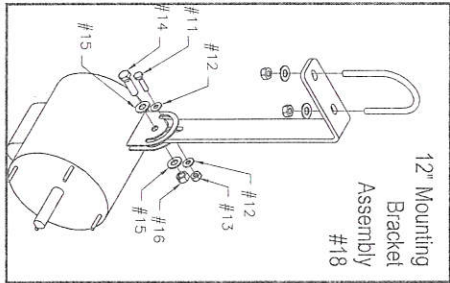
WARNING: To reduce the risk of fire or electrical shock, do not expose to water or rain. To reduce the risk of electrical shock.

RULES FOR SAFE OPERATION

- Never insert fingers or any other objects through the grill guard when fan is in operation.
- Unplug the fan when moving from one location to another.
- Unplug the fan when removing guards for cleaning.
- Do not use with an extension cord.
- Do not place fan or any parts near an open flame, cooking or other heating appliance.
- Be sure the fan is on a stable, flat surface when in operation.
- DO NOT use fan in windows. Rain and moisture may create electrical hazard.
- Close supervision is necessary when this unit is used by or near children.

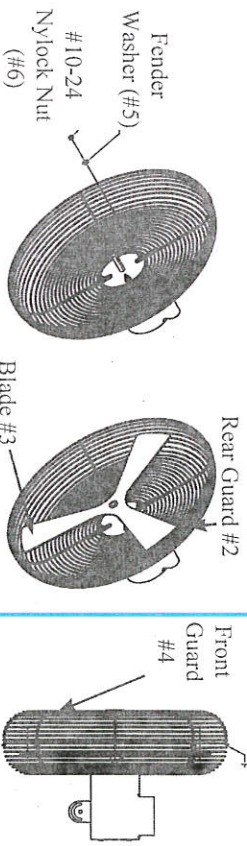


- #4 Motor
- #1 Rear Guard
- #2 Blade
- #3 Front Guard
- #4 Washer, Fender, 3/16"
- #5 Nut Nylock, #10-24
- #6 Bolt, Hex, 3/8-16 X 1.25"
- #7 Washer, Fender, 3/8"
- #8 Nut Nylock, 3/8-16
- #9 Bolt, Hex, 1/4-20 X 1.00"
- #10 Washer, Fender, 1/4"
- #11 Nut Nylock, 1/4-20
- #12 U-Bolt, 5/16-18 X 2.5"
- #13 Washer, Fender, 5/16"
- #14 Nut, Nylock, 5/16-18
- #15 Zip Strip, White Nylon, 4"
- #16 L-Bracket for 12" Fan



FAN ASSEMBLY

1. Place rear guard (#2) over studs on motor (#1). Then place the 4 fender washers (#5) over the studs, followed by the 4 #10-24 Nylock nuts (#6). Tighten down the 4 nuts firmly.
2. Place the blade (#3) on the motor shaft with the set screws facing in toward the motor. Slide the blade on the shaft so it is flush with the end of the shaft. Align the set screws with the flats and the shaft and tighten set screws.
3. Take the front guard (#4) and place it on the rear guard (#2). Slide over as many hooks as you can. The remainder of the hooks can be forced in using a flat blade screw driver. Be very careful not to pinch your fingers!
4. Your fan is now assembled. We do suggest placing the 4 provided zip ties (#17) around the last rings of the front and rear guards to help isolate any vibrations.



BRACKET AND FAN MOUNTING

1. Find a solid place to mount your basket fan. Look for rafters, I-beams, or floor joists.
2. Assemble bracket #7A and #7B together using hardware #8, #9, and #10. Mount your bracket #7A-B (used with 20", 24" & 30" fan) or #18 (used with 12" fan) in one of the positions shown below. Please note the orientation of the bracket in the diagrams for optimum adjust ability.
3. Secure the fan head to the bracket as shown using the hardware shown #8 - #13.
4. If the specific motor your fan was supplied with has a drain plug, you should remove the bottom plug closest to the motor shaft.
5. If the specific motor your fan was supplied with does not come pre-wired, you are now ready for wiring. We recommend that you always use a licensed electrician. It is very helpful to have a disconnect or switch close to the fan for safety.
6. Before starting the fan for the first time, make sure that all mounting hardware is tight. Also check the fan blade for tip clearance.

MAINTENANCE

It is very important for the life of the fan that it is kept free of dust and dirt build up. The motor is a sealed air over motor, so it needs to be free of build up for cooling purposes. There is no additional maintenance needed.

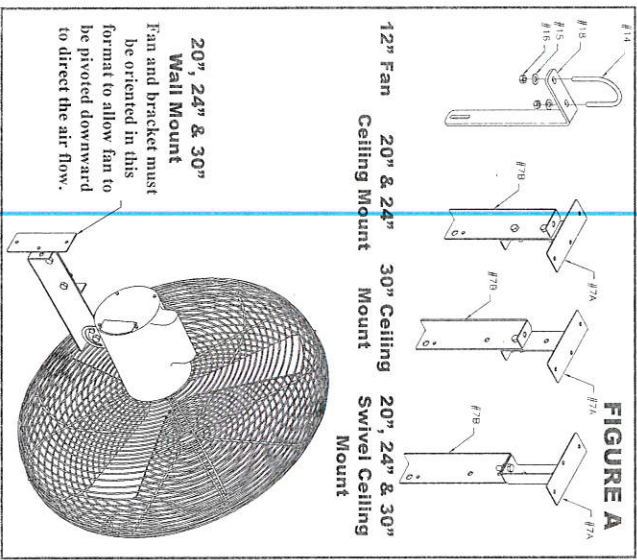


FIGURE A

20", 24" & 30" Wall Mount
Fan and bracket must be oriented in this format to allow fan to be pivoted downward to direct the air flow.

12" Fan Ceiling Mount
20" & 24" Ceiling Mount
30" Ceiling Mount
20", 24" & 30" Swivel Ceiling Mount