

prio 315

Axial circular duct fan

Item Number: 93267

Variant: 230V 1~ 50Hz



- Circular duct fan
- Compact design
- High efficiency and low SFP in a real working point
- Low sound level
- Air tight design
- Speed-controllable
- Simple to install, mounting brackets included
- Integrated motor protection

The prio fans is designed for installation in ducts. The casing is manufactured from sheet metal. The fans can be speed-controlled via a stepless thyristor or a 5-step transformer. To protect the motor from overheating, the fans have integral thermal contact with leads for connection to a motor protection device. Outdoor mounting and wet room applications are possible due to the fans air tight casing and the IP 55 rated terminal box.

The FK mounting clamp (accessory) facilitates easy installation and removal, and prevents the transfer of vibration to the duct.



Technical parameters

| Norminal data | |
|---|-----------------------------|
| Voltage (Nominal) | 230 V |
| Frequency | 50 Hz |
| Phase(s) | 1~ |
| Input power | 332 W |
| Input current | 1.76 A |
| Impeller speed | 1,363 r.p.m. |
| Air flow | max 1.059 m ³ /s |
| Capacitance of capacitor | 6 μF |
| Temperature of transported air | max 50 °C |
| Max temperature of transported air, when speed controlled | 50 °C |
| Sound data | |
| Sound pressure level at 3m (20m ² Sabin) | 58 dB(A) |
| Protection/Classification | |
| Enclosure class, motor | IP44 |
| Insulation class | F |

Data according to ErP

ErP ready

ErP 2018

Dimensions and weights

Duct dimension; Circular, inlet

315 mm

Duct dimension; Circular, outlet

315 mm

Weight

15.52 kg

Others

Duct connection type

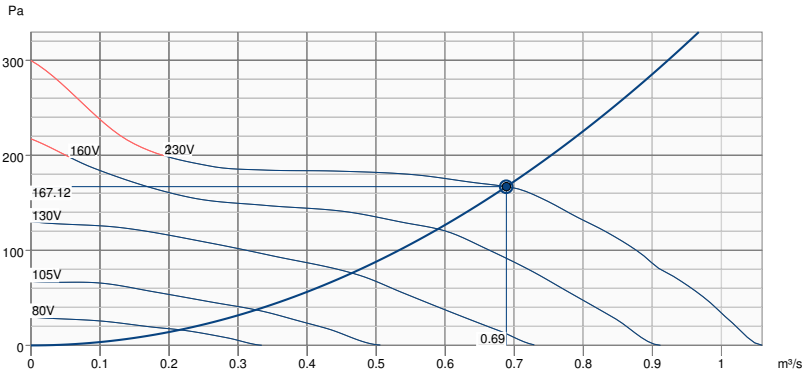
Circular

Motor type

AC

Performance

Performance curve

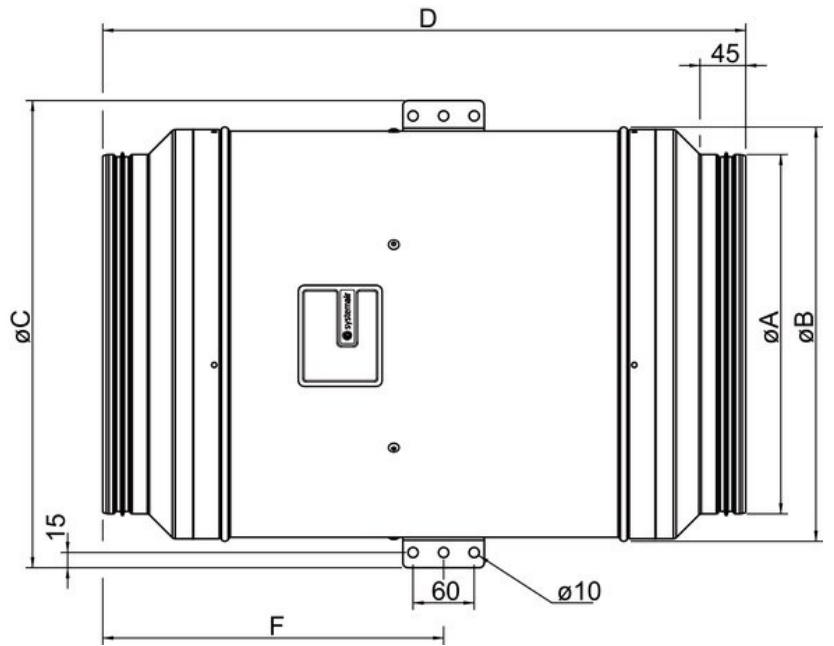
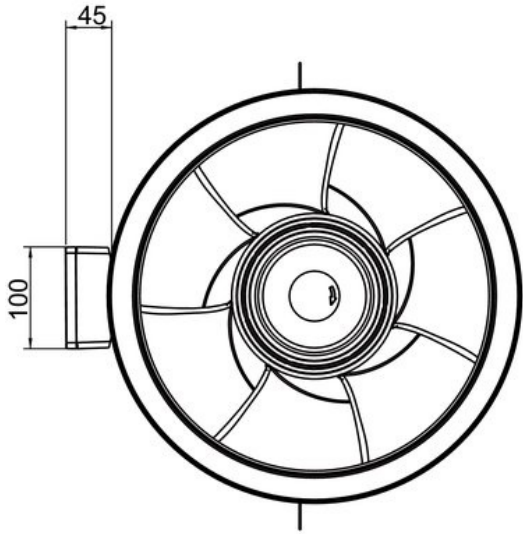


| Hydraulic data | |
|--------------------------|---------------|
| Required air flow | 0.69 m³/s |
| Required static pressure | 167 Pa |
| Working air flow | 0.69 m³/s |
| Working static pressure | 167 Pa |
| Air density | 1.204 kg/m³ |
| Power | 322.3 W |
| Fan control - RPM | 1368 rpm |
| Current | 1.72 A |
| SFP | 0.468 kW/m³/s |
| Control voltage | 230.0 V |
| Supply voltage | 230 V |

| Sound power level | | 63 | 125 | 250 | 500 | 1k | 2k | 4k | 8k | Total |
|--|-------|----|-----|-----|-----|----|----|----|----|-------|
| Inlet | dB(A) | 55 | 74 | 73 | 72 | 70 | 66 | 58 | 48 | 79 |
| Outlet | dB(A) | 54 | 70 | 74 | 71 | 70 | 64 | 57 | 46 | 78 |
| Surrounding | dB(A) | 21 | 55 | 60 | 62 | 56 | 50 | 46 | 27 | 66 |
| Sound pressure level at 3m (20m² Sabine) | dB(A) | - | - | - | - | - | - | - | - | 59 |
| Sound pressure level at 3m free field | dB(A) | - | - | - | - | - | - | - | - | 45 |

Dimension

| | øA | øB | øC | D | F |
|----------------|-----|-----|-----|-----|-----|
| prio 315 AC | 313 | 407 | 459 | 676 | 357 |
| prio 355 AC/EC | 353 | 407 | 459 | 632 | 335 |



Wiring

YE Yellow

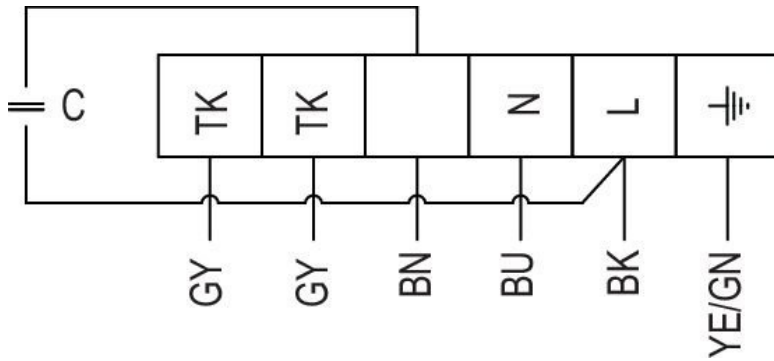
BU Blue

GN Green

BN Brown

BK Black

GY Grey



Ecodesign

| Product | |
|-------------------------|-------------------------|
| Trade name | Systemair |
| Product name | prio 315 |
| Ecodesign | |
| ErP compliance | 2018 |
| Unit category | NRVU |
| Drive | External MSD or VSD |
| Unit type | UVU |
| Heat recovery type | None |
| Temperature ratio (UVU) | Not applicable |
| qv nom | 0.712 m ³ /s |
| P nom | 0.324 kW |
| Ps nom | 163 Pa |
| Fan efficiency | 35.8 % |
| External Leakage | 0 % |
| Sound power level LWA | 56 dB(A) |