

prio 200EC circ. duct fan

Axial circular duct fan, <125W

Item Number: 78186

Variant: 230V 1~ 50/60Hz



EC-motors, high level of efficiency

Low SFP values

100% speed controllable

Integrated motor protection

Can be installed in any position

Compact design

Low sound level

Potentiometer included for ease of commissioning

EC fans are intelligent devices using integrated motor electronics, ensuring that the motor always runs at optimal load. With EC motors the proportion of energy utilized effectively is higher, which as a result reduces the energy usage considerably, compared with AC motors.

Another special feature of EC fans is their energy-saving potential not only at full load, but especially when speed controlled, i.e. at part load. When operating at part-load, the energy used is much lower than with an asynchronous motor of equivalent output.

Reduced energy usage guarantees a drop in operating costs.

The prioAir series is designed for installation in ducts. The prioAir models have 25 mm long spigot connections in acc. with EN 1506:1997. The fans have aerodynamically optimized impellers and guide vanes. Motor protection is integrated in the electronics of the motor. The air tight casing (tightness class C in acc. with EN12237:2003) is manufactured from special composite material.

The mounting clamp facilitates easy installation and removal, and prevents the transfer of vibrations to the duct. Mounting bracket to the wall or ceiling as accessory.

For installation in damp locations we recommend to use a run-on timer. The fans are delivered with a pre-wired potentiometer (0-10 V) that allows you to easily find the required working point.



Technical parameters

Nominal data		
Voltage (Nominal)	230	V
Frequency	50; 60	Hz
Phase(s)	1~	
Input power	117	W
Input current	0.921	A
Impeller speed	3,463	r.p.m.
Air flow	max 0.366	m ³ /s
Temperature of transported air	max 55	°C
Max temperature of transported air, when speed controlled	55	°C
Sound data		
Sound pressure level at 3m (20m ² Sabin)	52	dB(A)

Protection/Classification

Enclosure class, motor	IP44
Insulation class	B

Data according to ErP

ErP ready	Not ErP relevant
-----------	------------------

Dimensions and weights

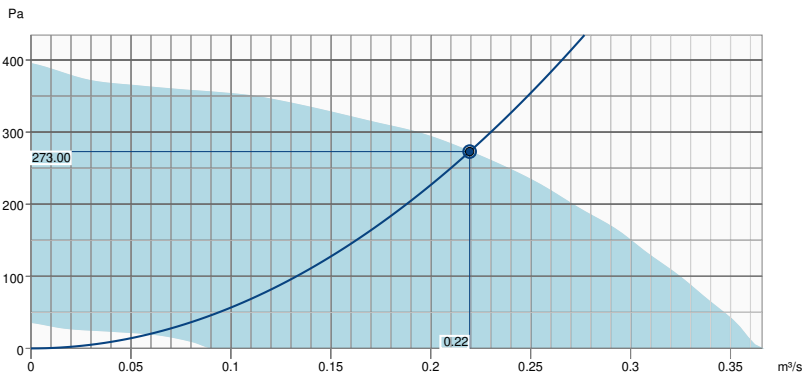
Duct dimension; Circular, inlet	200	mm
Duct dimension; Circular, outlet	200	mm
Weight	2.4	kg

Others

Duct connection type	Circular
Motor type	EC

Performance

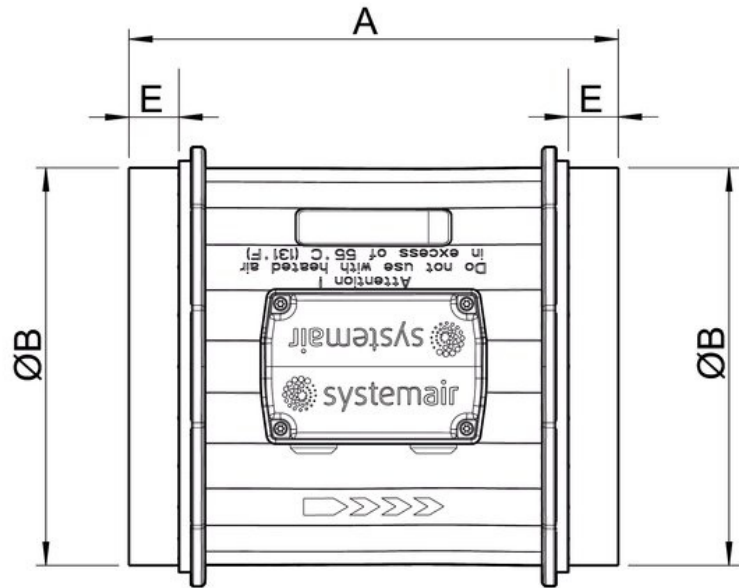
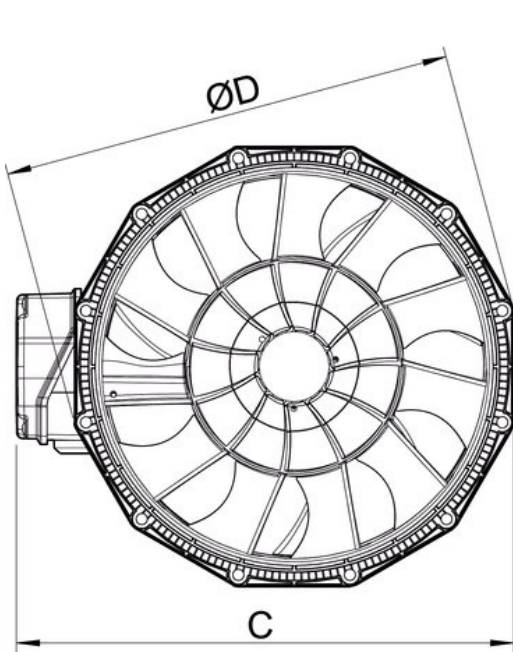
Performance curve



Hydraulic data	
Required air flow	0.22 m³/s
Required static pressure	273 Pa
Working air flow	0.22 m³/s
Working static pressure	273 Pa
Air density	1.204 kg/m³
Power	116.5 W
Fan control - RPM	3511 rpm
Current	0.91 A
SFP	0.531 kW/m³/s
Control voltage	10.0 V
Supply voltage	230 V

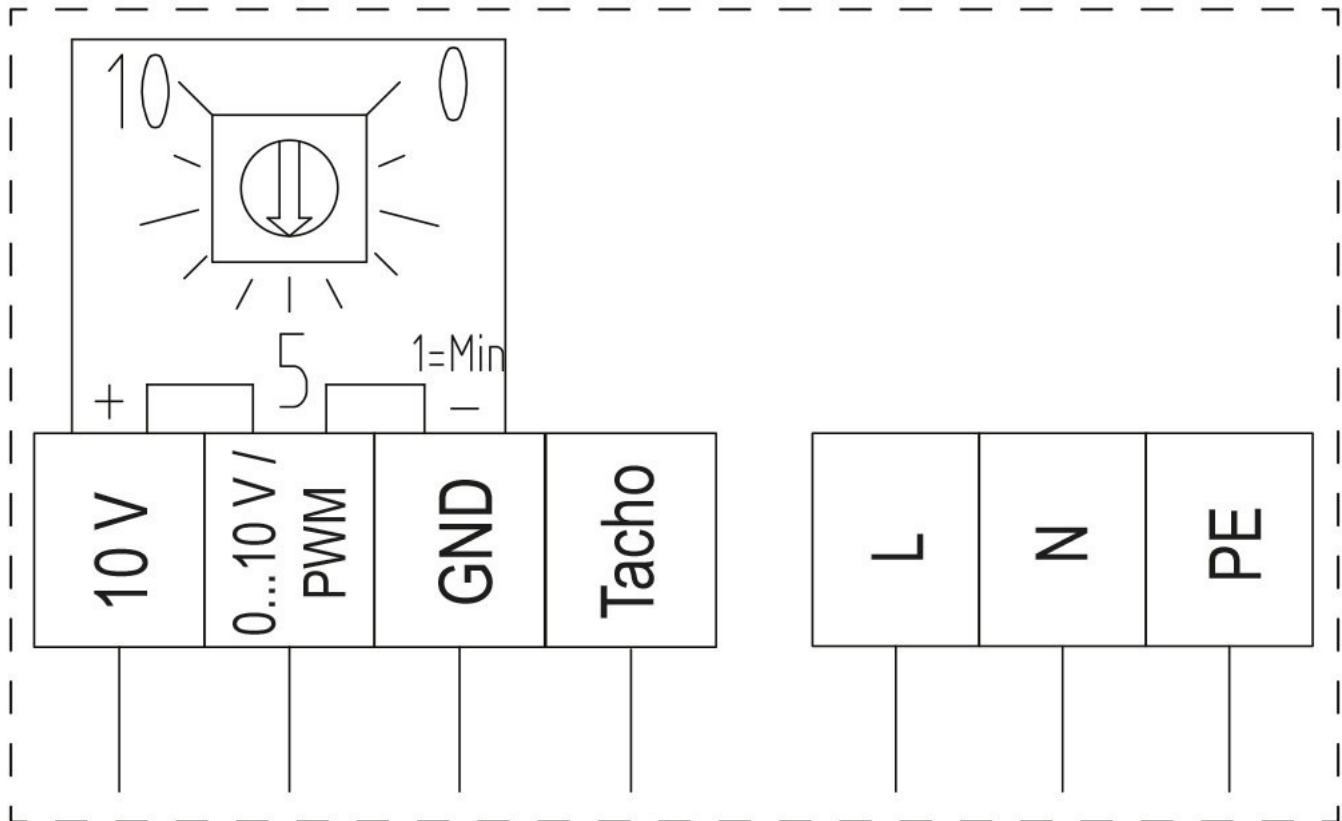
Sound power level		63	125	250	500	1k	2k	4k	8k	Total
Inlet	dB(A)	45	54	70	70	73	69	64	56	77
Outlet	dB(A)	43	54	58	67	68	65	61	56	72
Surrounding	dB(A)	13	27	39	52	56	53	45	32	59
Sound pressure level at 3m (20m² Sabine)	dB(A)	-	-	-	-	-	-	-	-	52
Sound pressure level at 3m free field	dB(A)	-	-	-	-	-	-	-	-	38

Dimension



	A	ØB	C	ØD	E
prio 200	245	199	249	227	25

Wiring



Function / assignment

L	Power supply 230V AC, 50...60 Hz, see name plate for voltage range
N	Neutral conductor
PE	Protective conductor
0...10V / PWM	Controller input 0...10V or PWM
10V	Voltage output 10V / Short-circuit-proof power supply for external devices (e.g. poti) prio 150EC, prio 160EC → I max=1.1mA prio 200EC, prio 250EC → I max=10mA
GND	GND-connection of the controller interface
Tacho	Speed output: Open Collector, 1 impulse per revolution, electrically isolated, I _{sink_max} =10mA

Accessories

- CXE/AVC Modbus (37256)
- EC-Basic-CO2 and temperature (24808)
- EC-Basic-T temperature (24805)
- EC-Vent control board (3115)
- MTP 10, 10K, Speed control (32731)
- MTV-1/010 Controller 0..10V+ (30650)
- VKK-200 Back draft damper (1626)
- HR1 Room Humidistat (215150)
- Presence detector/IR24-P (6995)
- RT 0-30 Room Thermostat (5151)
- CB 200-2,1 230V/1 Duct heater (5384)
- CB 200-3,0 400V/2 Duct heater (5294)
- CBM 200-5,0 400V/2 Duct heater (5483)
- CBMF 200-5,0 400V/2 Duct heater (12246)
- FFR 200 Filter cassette (1773)
- FK 200 Fast clamp (1611)
- LDC 200-600 Silencer (5194)
- RSK-200 Back draft damper (5602)
- VBC 200-3 Water heating batt (9841)
- IGC-200 Intake grille (76877)
- DMD-C Pressure controller (15793)
- EC-Basic-H humidity (24807)
- EC-Basic-U universal 0-10V (24806)
- EC-Vent Room Unit (3018)
- MTP 20, on/off, 3-step (310220)
- SG 200 Protection guard (5609)
- CO2RT-R-D Transmitter (6993)
- IGC-200 Wall Grid (1633)
- prio 200 mount. bracket compl. (79315)
- VBF 200 Water heating battery (1732)
- CB 200-3,0 230V/1 Duct heater (5370)
- CB 200-5,0 400V/2 Duct heater (5371)
- CBMF 200-3,0 230V/1 Duct heater (12245)
- CWK 200-3-2,5 Duct cooler,circ (30023)
- FGR 200 Filter cassette (1812)
- LDC 200-300 Silencer (53369)
- LDC 200-900 Silencer (5195)
- VBC 200-2 Water heating batt (5459)
- VK-20 Louvre shutter (5639)

Documents

- imo_prioair_en_002
- prio_air200_o_rahmen.dxf
- UKCA DECLARATION OF CONFORMITY_PRIO_PRIO-XP_EN_001.PDF

Specification