

# RVK 315E2 sileo 1ph/230V

Article Number: 37789

Variant : 230V 1~ 50Hz



## Description

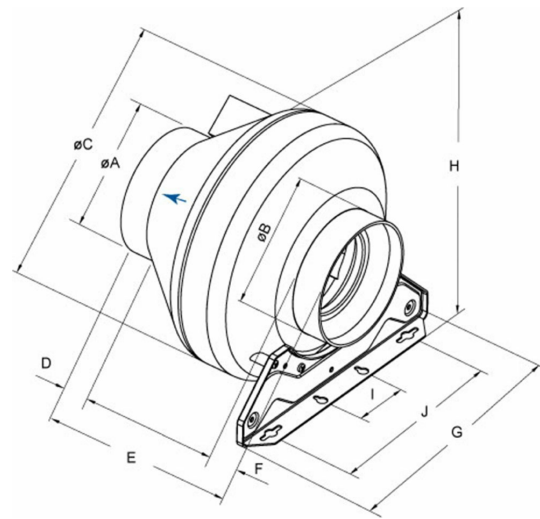
- Speed-controllable
- Integral thermal contacts acc. EN 60335-2-80
- Can be installed in any position
- Inclusive mounting bracket
- Maintenance-free and reliable

The RVK sileo series is designed for installation in ducts. The casing is manufactured from PP fibreglass reinforced plastic which gives the fan a less leakage casing. Duct connected wet room applications of the fan are possible due to the air tight casing and the IP 44 rated terminal box. We recommend a period of continued ventilation with dry air for wet room applications. The fans have high effective backward-curve blades (\* BAT with special geometry) and external rotor motors. The FK mounting clamp facilitates easy installation. Find more details in our online catalogue

## Technical parameters

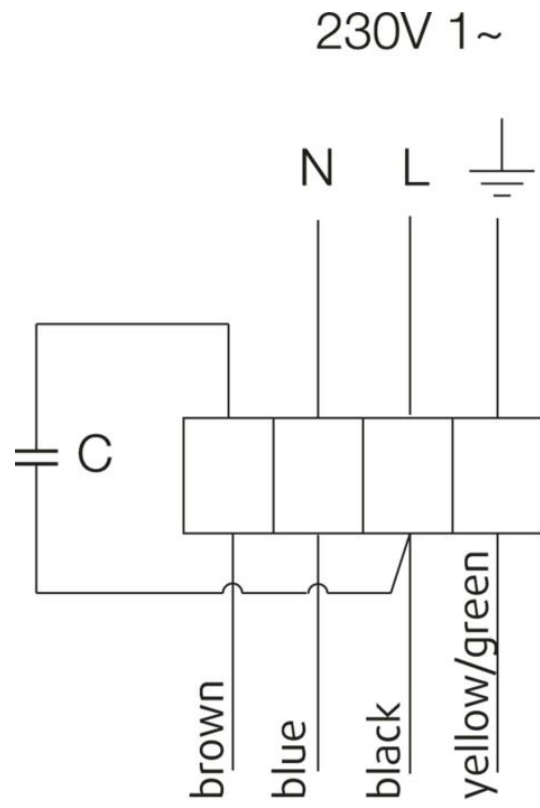
Nominal data	
Voltage (Nominal)	230 V
Frequency	50 Hz
Phase(s)	1~
Input power	222 W
Input current	0.971 A
Impeller speed	2,696 r.p.m.
Air flow	max 0.374 m³/s
Capacitance of capacitor	5 µF
Temperature of transported air	max 70 °C
Max temperature of transported air, when speed controlled	70 °C
Sound data	
Sound pressure level at 3m (20m² Sabin)	45 dB(A)
Protection/Classification	
Enclosure class, motor	IP44
Insulation class	B
Data according to ErP	
ErP ready	ErP 2016; ErP 2018
Dimensions and weights	
Duct dimension: Circular, inlet	315 mm
Duct dimension: Circular, outlet	315 mm
Weight	5.2 kg
Others	
Duct connection type	Circular
Motor type	AC

## Dimension

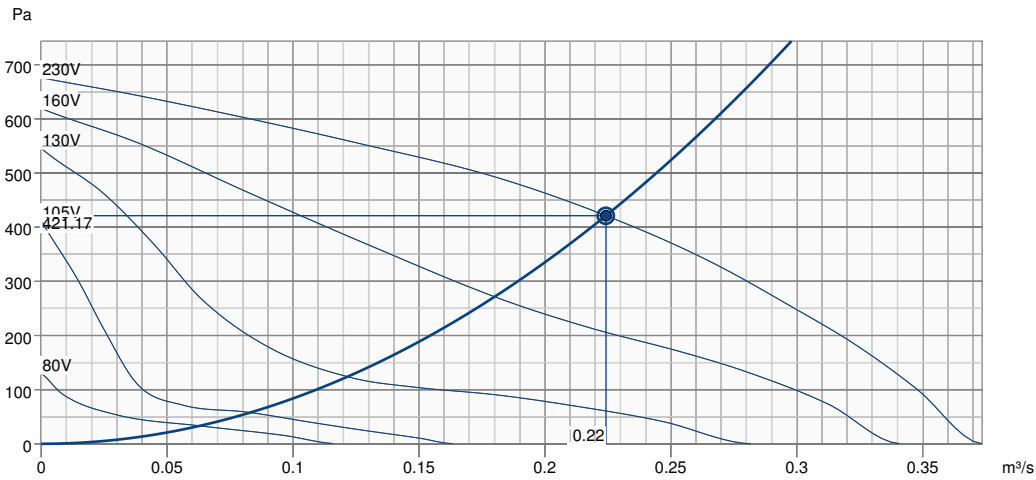


	øA	øB	øC	D	E	F	G	H	I	J
RVK 315	31	31	40	2	26	3	27	43	6	200
	4	4	5	8	5	0	2	0	0	

## Wiring



## Performance curve



### Hydraulic data

Required air flow	0.22 m³/s
Required static pressure	421 Pa
Working air flow	0.22 m³/s
Working static pressure	421 Pa
Air density	1.204 kg/m³
Power	221.6 W
Fan control - RPM	2697 rpm
Current	0.97 A
SFP	0.988 kW/m³/s
Control voltage	230.0 V
Supply voltage	230 V

Sound power level		63	125	250	500	1k	2k	4k	8k	Total
Inlet	dB(A)	54	59	60	62	65	63	59	52	70
Outlet	dB(A)	60	53	63	60	65	65	59	53	71
Surrounding	dB(A)	31	30	40	48	47	42	35	31	52
Sound pressure level at 3m (20m² Sabine)	dB(A)	-	-	-	-	-	-	-	-	45
Sound pressure level at 3m free field	dB(A)	-	-	-	-	-	-	-	-	31

## Accessories

FRQ5S-E-6A (37421)	RE 1.5 Speed control (5000)
REE 1 Speed control (5314)	REU 1.5 Speed control (5004)
REV-3POL/03 ON/OFF (33978)	SG 315 Protection guard (5611)
VKK-315 Back draft damper (1628)	CB 315-6,0 400V/2 Duct heater (5374)
FRQS-E-6A (37419)	CB 315-12,0 400V/3 Duct heater (5387)
CB 315-3,0 230V/1 Duct heater (5386)	CB 315-9,0 400V/3 Duct heater (5375)
CBM 315-9,0 400V/3 Duct heater (5485)	CWK 315-3-2,5 Duct cooler,circ (30025)
FFR 315 Filter cassette (1779)	FGR 315 Filter cassette (1818)
FK 315 Fast clamp (1613)	LDC 315-900 Silencer (5197)
RSK-315 Back draft damper (5604)	VBC 315-2 Water heating batt (5461)
VBC 315-3 Water heating batt (9844)	VBF 315 Water heating battery (1734)
VK-30 Louvre shutter (5641)	IGC-315 Intake grille (76879)
STL 1.5 Speed controller (84251)	

## Documents

MANUAL_RVK_EN_002.PDF
rvk315_kpl.dxf
EU DECLARATION OF CONFORMITY_RVK_EN_001.PDF
PP compound (30% glass fibre content).pdf