

RVK 150E2 sileo 1ph/230V

Article Number: 30336

Variant : 230V 1~ 50Hz



Description

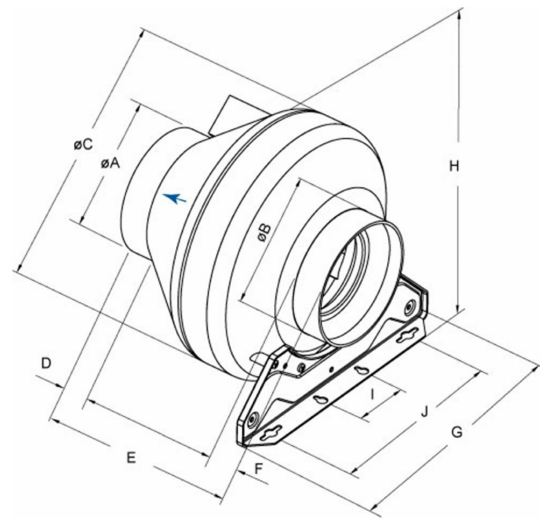
- Speed-controllable
- Integral thermal contacts acc. EN 60335-2-80
- Can be installed in any position
- Inclusive mounting bracket
- Maintenance-free and reliable

The RVK sileo series is designed for installation in ducts. The casing is manufactured from PP fibreglass reinforced plastic which gives the fan a less leakage casing. Duct connected wet room applications of the fan are possible due to the air tight casing and the IP 44 rated terminal box. We recommend a period of continued ventilation with dry air for wet room applications. The fans have high effective backward-curve blades (* BAT with special geometry) and external rotor motors. The FK mounting clamp facilitates easy installation. Find more details in our online catalogue

Technical parameters

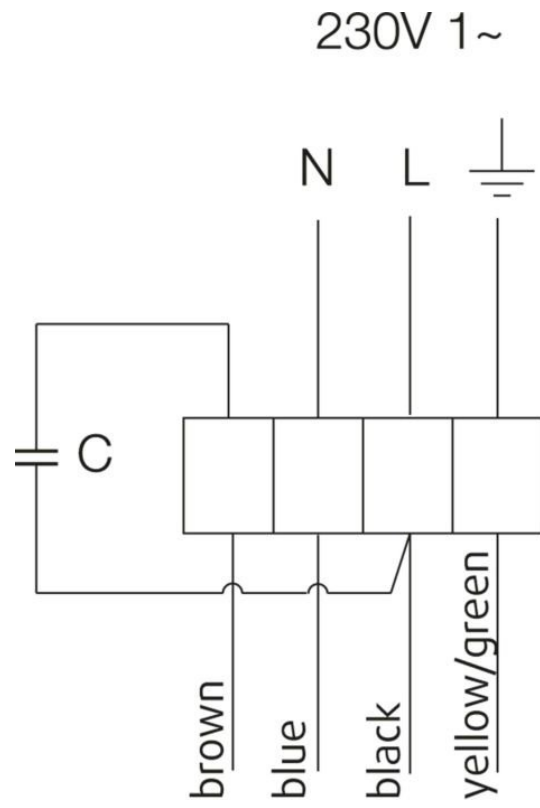
Nominal data	
Voltage (Nominal)	230 V
Frequency	50 Hz
Phase(s)	1~
Input power	60 W
Input current	0.262 A
Impeller speed	2,437 r.p.m.
Air flow	max 0.119 m³/s
Capacitance of capacitor	2 µF
Temperature of transported air	max 70 °C
Max temperature of transported air, when speed controlled	70 °C
Sound data	
Sound pressure level at 3m (20m² Sabin)	41 dB(A)
Protection/Classification	
Enclosure class, motor	IP44
Insulation class	B
Data according to ErP	
Energy class, Basic unit	E
Energy class, Local demand	B
ErP ready	ErP 2016; ErP 2018
Dimensions and weights	
Duct dimension: Circular, inlet	150 mm
Duct dimension: Circular, outlet	150 mm
Weight	2.7 kg
Others	
Duct connection type	Circular
Motor type	AC

Dimension

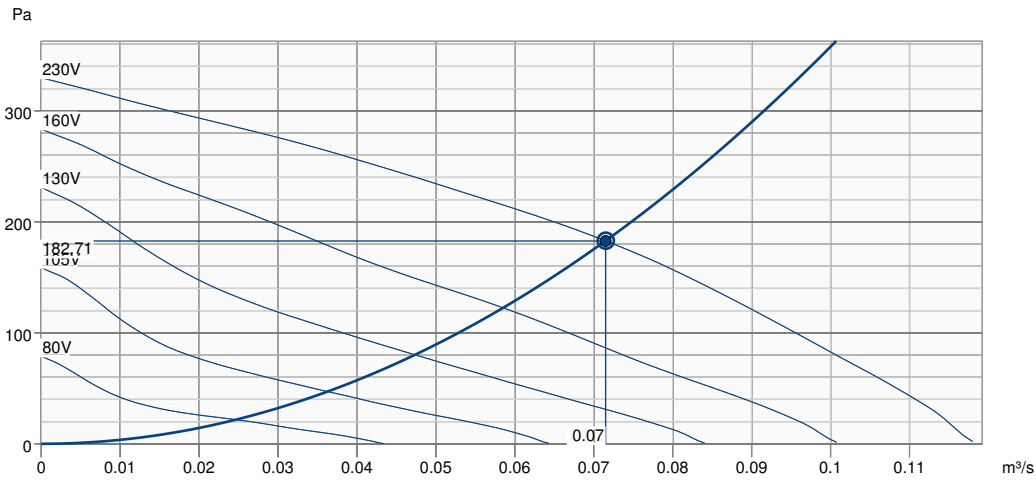


	øA	øB	øC	D	E	F	G	H	I	J
RVK	14	14	34	3	23	3	27	36	6	200
150	9	9	1	0	0	0	2	0	0	

Wiring



Performance curve



Hydraulic data

Required air flow	0.07 m³/s
Required static pressure	183 Pa
Working air flow	0.07 m³/s
Working static pressure	183 Pa
Air density	1.204 kg/m³
Power	59.4 W
Fan control - RPM	2439 rpm
Current	0.26 A
SFP	0.831 kW/m³/s
Control voltage	230.0 V
Supply voltage	230 V

Sound power level		63	125	250	500	1k	2k	4k	8k	Total
Inlet	dB(A)	44	53	58	60	59	56	50	39	65
Outlet	dB(A)	44	52	58	56	57	51	47	37	63
Surrounding	dB(A)	17	11	26	42	44	41	30	21	47
Sound pressure level at 3m (20m² Sabine)	dB(A)	-	-	-	-	-	-	-	-	40
Sound pressure level at 3m free field	dB(A)	-	-	-	-	-	-	-	-	26

Accessories

FRQ5S-E-6A (37421)	RE 1,5 Speed control (5000)
REE 1 Speed control (5314)	REU 1.5 Speed control (5004)
REV-3POL/03 ON/OFF (33978)	SG 150 Protection guard (5555)
FRQS-E-6A (37419)	CB 150-1,2 230V/1 Duct heater (5378)
CB 150-2,1 230V/1 Duct heater (5379)	CB 150-2,7 230V/1 Duct heater (5380)
CB 150-5,0 400V/2 Duct heater (5381)	CBM 150-2,1 230V/1 Duct heater (5481)
FFR 150 Filter cassette (1769)	FGR 150 Filter cassette (1807)
FK 150 Fast clamp (1609)	LDC 150-600 Silencer (5199)
RSK-150 Back draft damper (5599)	STL 1.5 Speed controller (84251)

Documents

MANUAL_RVK_EN_002.PDF
rvk150_kpl.dxf
EU DECLARATION OF CONFORMITY_RVK_EN_001.PDF
PP compound (30% glass fibre content).pdf