

RVK 125E2 sileo 1ph/230V

Article Number: 5756

Variant : 230V 1~ 50Hz



Description

- Speed-controllable
- Integral thermal contacts
- Can be installed in any position
- Inclusive mounting bracket
- Maintenance-free and reliable

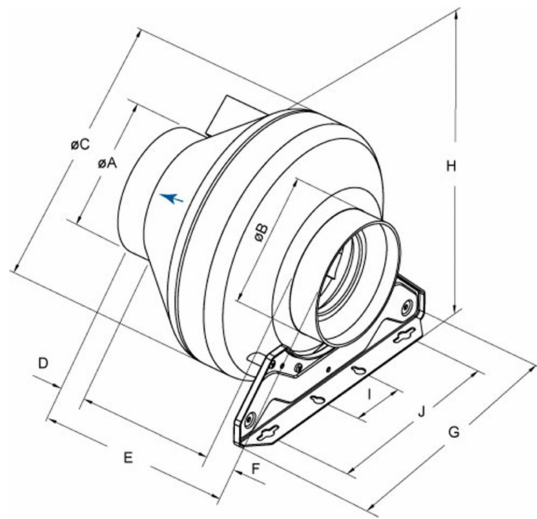
The RVK series is designed for installation in ducts. The casing is manufactured from PA6 fibreglass reinforced plastic which gives the fan a less leakage casing. Duct connected wet room applications of the fan are possible due to the air tight casing and the IP 44 rated terminal box. The fans have backward-curved blades and external rotor motors. The FK mounting clamp facilitates easy installation and removal and prevents the transfer of vibration to the duct. The fans can be speed-controlled via a stepless thyristor...

[Find more details in our online catalogue](#)

Technical parameters

| Nominal data | |
|-----------------------------------------------------------|-----------------|
| Voltage (Nominal) | 230 V |
| Frequency | 50 Hz |
| Phase(s) | 1~ |
| Input power | 29 W |
| Input current | 0.172 A |
| Impeller speed | 2,469 r.p.m. |
| Air flow | max 0.0612 m³/s |
| Temperature of transported air | max 70 °C |
| Max temperature of transported air, when speed controlled | 70 °C |
| Sound data | |
| Sound pressure level at 3m (20m² Sabin) | 38 dB(A) |
| Protection/Classification | |
| Enclosure class, motor | IP44 |
| Insulation class | B |
| Dimensions and weights | |
| Duct dimension: Circular, inlet | 125 mm |
| Duct dimension: Circular, outlet | 125 mm |
| Weight | 1.8 kg |
| Others | |
| Duct connection type | Circular |
| Motor type | AC |

Dimension



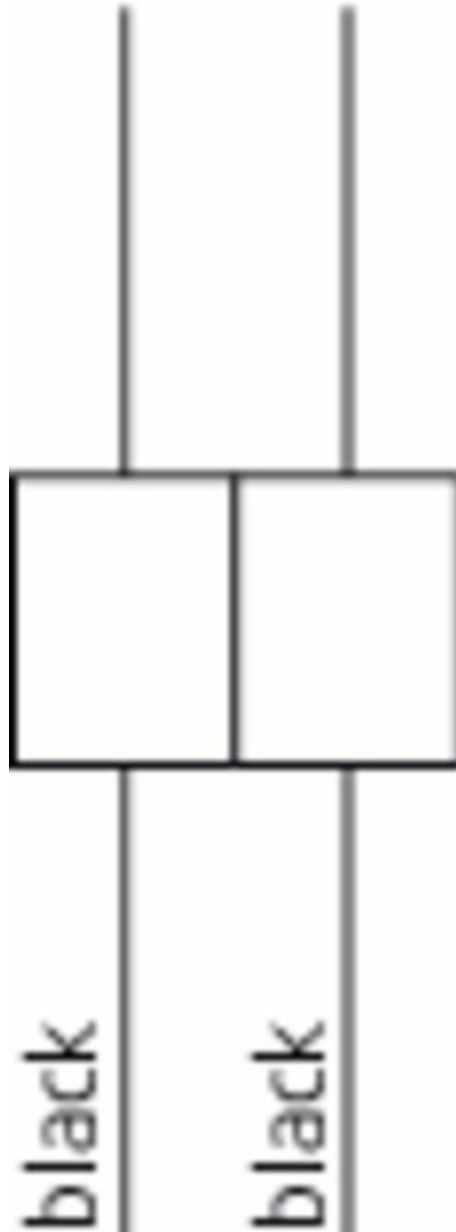
| | øA | øB | øC | D | E | F | G | H | I | J |
|-----|----|----|----|---|----|---|----|----|---|-----|
| RVK | 12 | 12 | 25 | 3 | 23 | 3 | 27 | 26 | 6 | 200 |
| 125 | 4 | 4 | 1 | 0 | 3 | 0 | 2 | 5 | 0 | |

Wiring

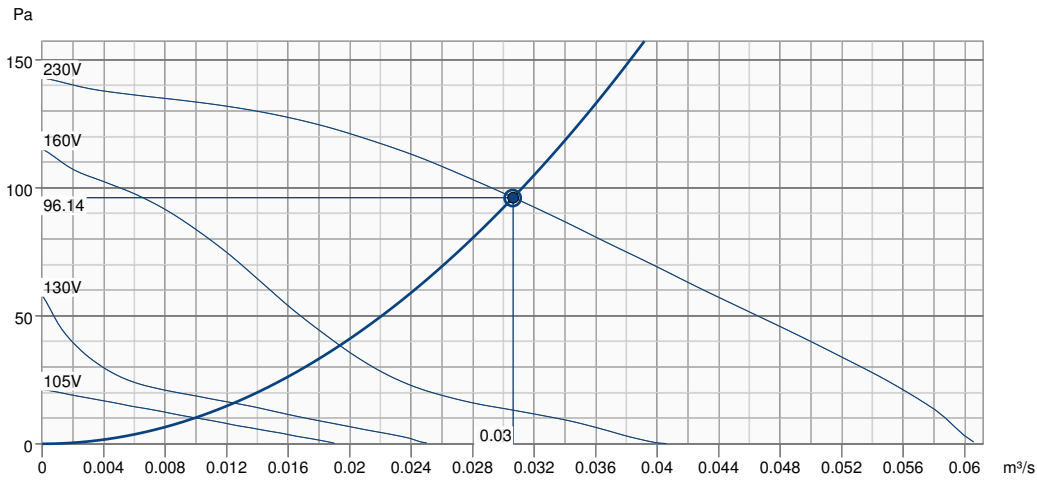
230V 1~

N

L



Performance curve



Hydraulic data

| | |
|--------------------------|---------------|
| Required air flow | 0.03 m³/s |
| Required static pressure | 96 Pa |
| Working air flow | 0.03 m³/s |
| Working static pressure | 96 Pa |
| Air density | 1.204 kg/m³ |
| Power | 28.7 W |
| Fan control - RPM | 2503 rpm |
| Current | 0.16 A |
| SFP | 0.937 kW/m³/s |
| Control voltage | 230.0 V |
| Supply voltage | 230 V |

| Sound power level | | 63 | 125 | 250 | 500 | 1k | 2k | 4k | 8k | Total |
|------------------------------------------|-------|----|-----|-----|-----|----|----|----|----|-------|
| Inlet | dB(A) | 37 | 55 | 57 | 61 | 53 | 46 | 41 | 33 | 63 |
| Outlet | dB(A) | 37 | 52 | 56 | 53 | 50 | 47 | 42 | 34 | 60 |
| Surrounding | dB(A) | 15 | 15 | 27 | 42 | 38 | 36 | 27 | 29 | 45 |
| Sound pressure level at 3m (20m² Sabine) | dB(A) | - | - | - | - | - | - | - | - | 38 |
| Sound pressure level at 3m free field | dB(A) | - | - | - | - | - | - | - | - | 24 |

Accessories

| | |
|---------------------------------------|----------------------------------------|
| FRQ5S-E-6A (37421) | IGC-125 Intake grille (76875) |
| RE 1,5 Speed control (5000) | REE 1 Speed control (5314) |
| REU 1.5 Speed control (5004) | REV-3POL/03 ON/OFF (33978) |
| SG 125 Protection guard (5607) | VKK-125 Back draft damper (1624) |
| FRQS-E-6A (37419) | IGK-125 Wall Grid (1631) |
| VBC 125-3 Water heating batt (9839) | CB 125-0,6 230V/1 Duct heater (5289) |
| CB 125-1,2 230V/1 Duct heater (5290) | CB 125-1,8 230V/1 Duct heater (5377) |
| CBM 125-1,2 230V/1 Duct heater (5480) | CWK 125-3-2,5 Duct cooler,circ (30021) |
| FFR 125 Filter cassette (1768) | FGR 125 Filter cassette (1804) |
| FK 125 Fast clamp (1608) | LDC 125-1200 Silencer (5997) |
| LDC 125-600 Silencer (5190) | LDC 125-900 Silencer (5191) |
| RSK-125 Back draft damper (5598) | VBC 125-2 Water heating batt (5457) |
| VBF 125 Water heating battery (1730) | STL 1.5 Speed controller (84251) |

Documents

| |
|---------------------------------------------|
| MANUAL_RVK_EN_002.PDF |
| rvk125_kpl.dxf |
| EU DECLARATION OF CONFORMITY_RVK_EN_001.PDF |
| PP compound (30% glass fibre content).pdf |