

RVK 100E2 sileo 1ph/230V

Article Number: 5755

Variant : 230V 1~ 50Hz



Description

- Speed-controllable
- Integral thermal contacts
- Can be installed in any position
- Inclusive mounting bracket
- Maintenance-free and reliable

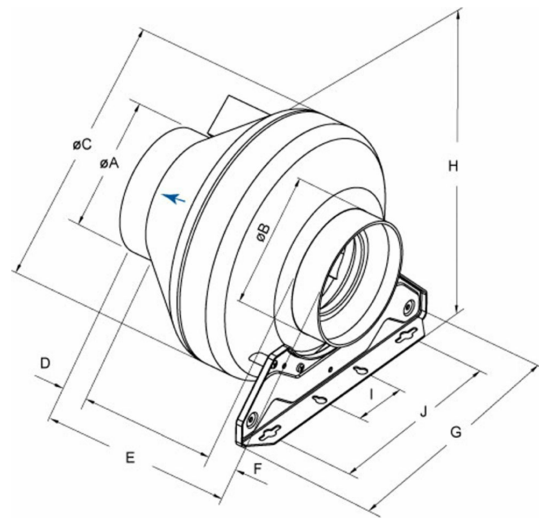
The RVK series is designed for installation in ducts. The casing is manufactured from PA6 fibreglass reinforced plastic which gives the fan a less leakage casing. Duct connected wet room applications of the fan are possible due to the air tight casing and the IP 44 rated terminal box. The fans have backward-curved blades and external rotor motors. The FK mounting clamp facilitates easy installation and removal and prevents the transfer of vibration to the duct. The fans can be speed-controlled via a stepless thyristor...

[Find more details in our online catalogue](#)

Technical parameters

Nominal data	
Voltage (Nominal)	230 V
Frequency	50 Hz
Phase(s)	1~
Input power	29 W
Input current	0.171 A
Impeller speed	2,482 r.p.m.
Air flow	max 0.0512 m³/s
Temperature of transported air	max 70 °C
Max temperature of transported air, when speed controlled	70 °C
Sound data	
Sound pressure level at 3m (20m² Sabin)	34 dB(A)
Protection/Classification	
Enclosure class, motor	IP44
Insulation class	B
Data according to ErP	
ErP ready	ErP 2016; ErP 2018
Dimensions and weights	
Duct dimension: Circular, inlet	100 mm
Duct dimension: Circular, outlet	100 mm
Weight	1.8 kg
Others	
Duct connection type	Circular
Motor type	AC

Dimension



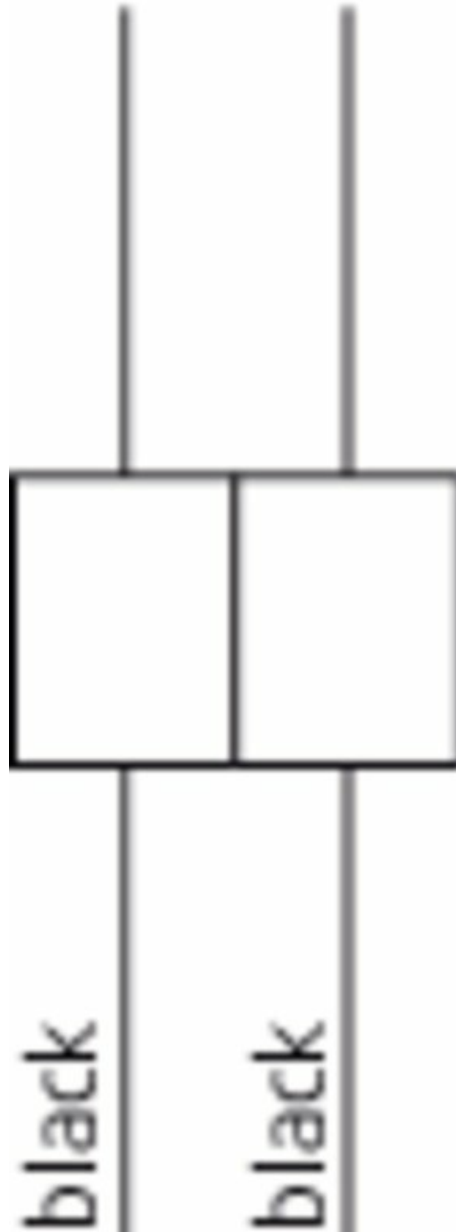
	ø A	ø B	ø C	D	E	F	G	H	I	J
RVK	9	9	25	3	237,	3	27	26	6	200
100	9	9	1	0	5	0	2	5	0	

Wiring

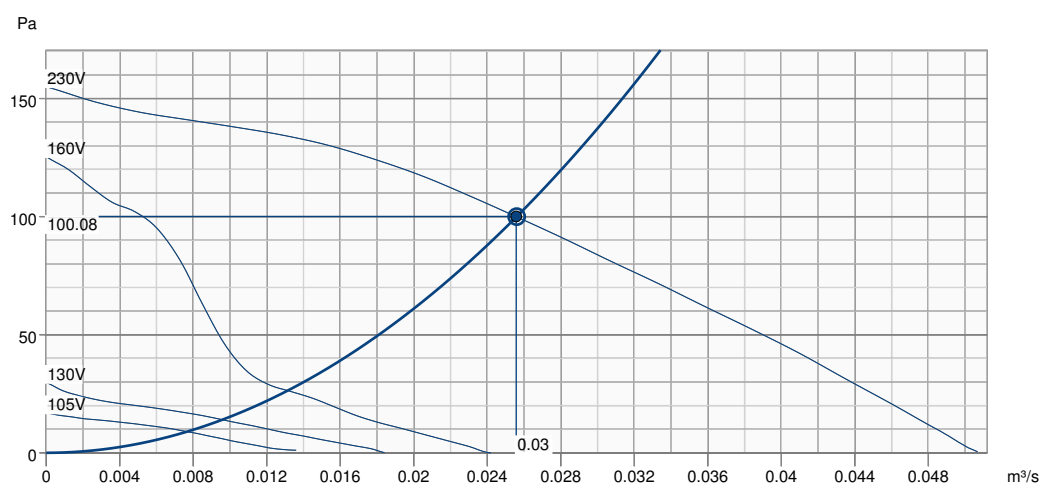
230V 1~

N

L



Performance curve



Hydraulic data	
Required air flow	0.03 m³/s
Required static pressure	100 Pa
Working air flow	0.03 m³/s
Working static pressure	100 Pa
Air density	1.204 kg/m³
Power	28.0 W
Fan control - RPM	2541 rpm
Current	0.16 A
SFP	1.095 kW/m³/s
Control voltage	230.0 V
Supply voltage	230 V

Sound power level		63	125	250	500	1k	2k	4k	8k	Total
Inlet	dB(A)	42	56	56	58	51	44	39	27	62
Outlet	dB(A)	45	50	53	51	47	44	39	28	57
Surrounding	dB(A)	<10	10	28	37	38	34	25	15	42
Sound pressure level at 3m (20m² Sabine)	dB(A)	-	-	-	-	-	-	-	-	35
Sound pressure level at 3m free field	dB(A)	-	-	-	-	-	-	-	-	21

Accessories

FRQ5S-E-6A (37421)	RE 1.5 Speed control (5000)
REE 1 Speed control (5314)	REU 1.5 Speed control (5004)
REV-3POL/03 ON/OFF (33978)	SG 100 Protection guard (5606)
VKK-100 Back draft damper (1623)	FRQS-E-6A (37419)
IGK-100 Wall Grid (1630)	CB 100-0,4 230V/1 Duct heater (5288)
CB 100-0,6 230V/1 Duct heater (5376)	CBM 100-0,6 230V/1 Duct heater (5479)
CWK 100-3-2,5 Duct cooler,circ (30019)	FFR 100 Filter cassette (1766)
FGR 100 Filter cassette (1802)	FK 100 Fast clamp (1607)
LDC 100-1200 Silencer (5996)	LDC 100-600 Silencer (5188)
LDC 100-900 Silencer (5189)	RSK-100 Back draft damper (5597)
VBC 100-2 Water heating batt (5456)	VBC 100-3 Water heating batt (9838)
VBF 100 Water heating battery (1724)	VK-10 Louvre shutter (87682)
IGC-100 Intake grille (76874)	STL 1.5 Speed controller (84251)

Documents

MANUAL_RVK_EN_002.PDF
rvk100_sileo_kpl.dxf
EU DECLARATION OF CONFORMITY_RVK_EN_001.PDF
PP compound (30% glass fibre content).pdf