

RTRE Transformers

[Find more details in our online catalogue](#)



RTRE 7 Speed control

5-step speedcontrol, 230V1~, 7A

Manual five-step transformer (with motor protection)

A single-phase transformer which controls the fan speed by altering the supply voltage in five fixed steps. The steps are adjusted manually, using the control knob on the front of the unit. An integral motor protection device is included which cuts the supply voltage to the fan if the thermal contact in the fan motor is activated. The unit is reset by turning the knob to "0" for 10 seconds, after which the unit restarts.

The unit has input terminals for room thermostat RT, which stops the supply voltage to the fan when the circuit is broken. These terminals are linked before delivery. The transformer has 230V terminals for operating dampers, electric water-heater batteries or other external equipment. These terminals have no current when the transformer knob is in position 0, or when the TK or RT input is open. The indicator lamp on the front shows when the transformer is in operation. The fuse may be reset from outside. The RTRE has a self-extinguishing thermoplastic casing. Supply voltage: 230V 50/60Hz.

Technical parameters

Nominal data

Voltage (nominal)	230	V
Frequency	50; 60	Hz
Phases	1~	
Input current	7	A

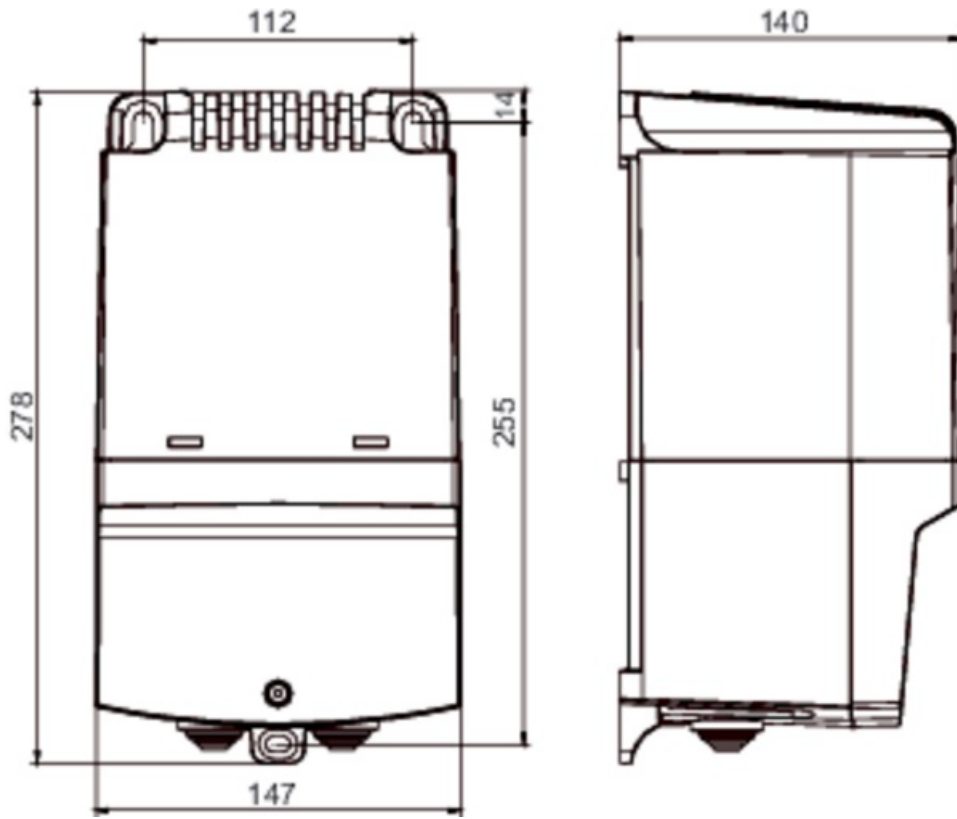
Protection/Classification

Enclosure class	IP54
-----------------	------

Dimensions and weights

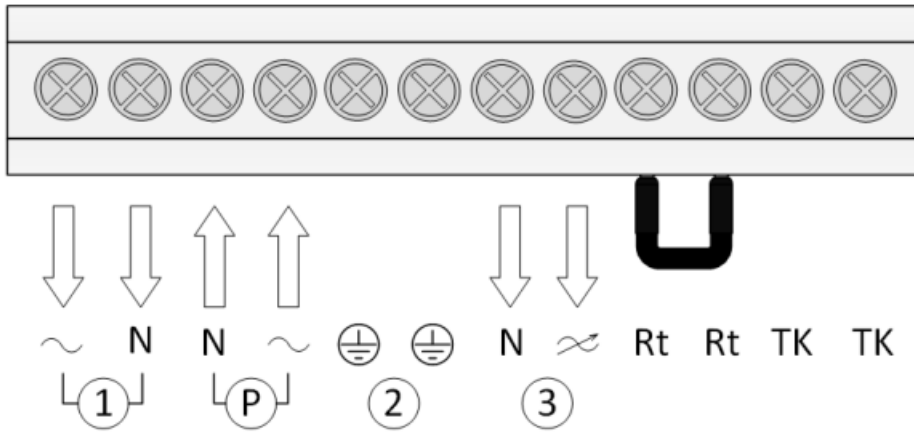
Depth	140	mm
Height	278	mm
Width	147	mm
Weight	7	kg

Dimension



Wiring

RTRE 7 RTRE 12



Transmission: between ~ and N is always 230V when the transformer handle is in pos. 1-5

