



### Manual 5-step speed controller for three-phase fans

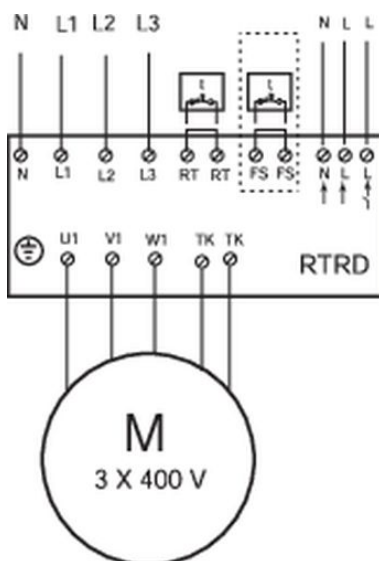
- Manual control
- Frost protection safety function
- Remote on/off
- Integrated motor protection
- Operation indicator lamp
- Control of additional external equipment

[Find more details in our online catalogue](#)

## Technical parameters

Nominal data	
Voltage (nominal)	400 V
Frequency	50; 60 Hz
Phases	3~
Input current	5.2 A
Protection/Classification	
Enclosure class	IP54
Ambient and duct temperature	
Max. Power dissipation	80 W
Dimensions and weights	
Depth	163 mm
Height	323 mm
Width	270 mm
Weight	15.5 kg

## Wiring



## Documents

IMO RTRD, RTRDU\_DE\_GB\_FR\_SE.PDF

