



### Manual 5-step speed controller for three-phase fans

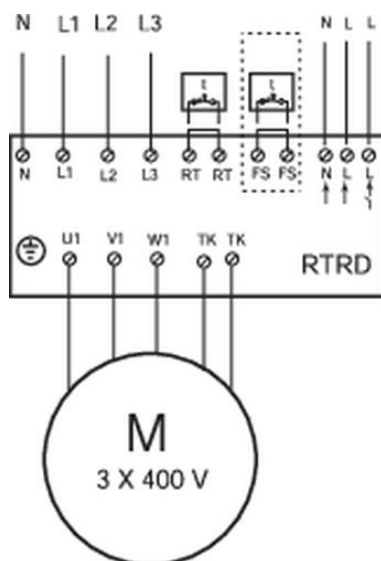
- Manual control
- Frost protection safety function
- Remote on/off
- Integrated motor protection
- Operation indicator lamp
- Control of additional external equipment

[Find more details in our online catalogue](#)

## Technical parameters

| Nominal data                 |           |
|------------------------------|-----------|
| Voltage (nominal)            | 400 V     |
| Frequency                    | 50; 60 Hz |
| Phases                       | 3~        |
| Input current                | 2 A       |
| Protection/Classification    |           |
| Enclosure class              | IP54      |
| Ambient and duct temperature |           |
| Max. Power dissipation       | 50 W      |
| Dimensions and weights       |           |
| Depth                        | 132 mm    |
| Height                       | 284 mm    |
| Width                        | 240 mm    |
| Weight                       | 6.2 kg    |

## Wiring



## Documents

IMO RTRD, RTRDU\_DE\_GB\_FR\_SE.PDF  
UKCA Declaration of Conformity\_003