



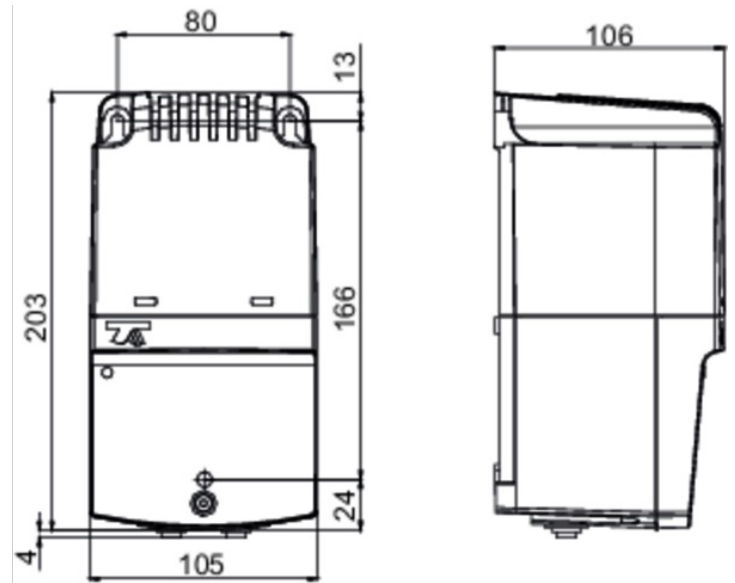
Manual five-step transformer A single-phase transformer which controls the fan speed by altering the supply voltage in five fixed steps. The steps are adjusted manually, using the control knob on the front of the unit. The transformer has 230V terminals for operating dampers, electric heater batteries or other external equipment. When the transformer knob is in position 0, the outlet has no current. The indicator lamp on the front shows that the transformer is in operation. The fuse may be reset from outside. The RE has a selfextinguishing thermoplastic casing. NOTE! Fans with external contact leads (TK) must always be...

[Find more details in our online catalogue](#)

Technical parameters

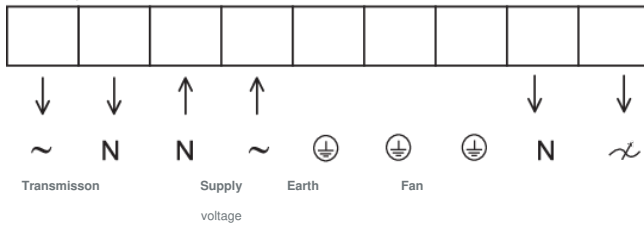
Nominal data	
Voltage (nominal)	230 V
Frequency	50; 60 Hz
Phases	1~
Input current	5 A
Protection/Classification	
Enclosure class	IP54
Dimensions and weights	
Depth	105 mm
Height	200 mm
Width	105 mm
Weight	3.4 kg

Dimension



Wiring

RE 1,5 RE 3 RE 5 RE 7



Transmission: between ~ and N is always 230V when the transformer handle is in pos. 1-5

Transmission: between ~ and N is always 230V when the transformer handle is in pos. 1-5

Documents

[RE_RTRE_REU_ IMO_GB.PDF](#)

[DECLARATION OF CONFORMITY_RE_REU_RTRE_EN-2017.PDF](#)