



Prio Silent XP Circular Duct Fans

Mixed-flow fan with integrated silencer

- Unique patented combination of silencer and fan casing
- Option to change air direction in casing
- Available with AC and EC motors for 50 and 60Hz
- Sound and energy optimized impellers
- Very low weight
- Easy to clean

[Find more details in our online catalogue.](#)

Flexibility

The prio silent XP fans are intended to use for **supply** or **extract** air and are designed to be installed in **any position**. This ensures that the fans can be used in a variety of **commercial** and **domestic** applications.

Reliability

The hybrid silencer/casing has a very good **resistance** against most **chemicals and oils**. The hydrophobic surface of the casing is **easy to clean** and allows using the fan in **wet conditions**.

Performance

The **sound optimized** impellers together with **high efficient** external rotor motors are designed to ensure high-level performance to **minimize power consumption** and **maximize efficiency**.

Accessories

Prio silent XP can be selected together with variety types of **accessories** as fast clamps, heaters, filters, dampers, etc.

Certifications



Ecodesign (ErP) compliant

Features

Construction

Hybrid silencer/casing manufactured from EPP and special composite material, is fully air tight class C according to EN12237.

Fans are equipped with an external **terminal box with** protection class **IP55**.

Impeller

Prio silent XP have aerodynamically optimized impellers and guide vanes. These are from lightweight, hard-wearing fiberglass reinforced **polyamide**, dynamically **balanced** and paired with corresponding external rotor motors.

Motor

Depending on the type, prio silent XP fans are equipped with **AC** or **EC** external rotor motor. Motors are suitable for **50Hz** and **60Hz**.

Motor protection

Fans with **AC** motors have an **integrated** thermal protection with manual (electrical) reset.

Fans with **EC** motors have an **integrated** electronic **thermal protection** including **locked-rotor protection** and **soft-start**.

Control

EC motors with **built-in potentiometer** to adjust working point can be also controlled by external **signal 0-10V**.

AC motors can be controlled by **5-step** or **stepless** speed regulator.

Installation

Prio silent XP can be installed in any position by using metal rail with holes. Spigot with 25 mm length is perfectly designed to connect circular duct by using **fast clamps preventing vibration** to the duct.

Technical parameters

Nominal data

Voltage (nominal)	230	V
Frequency	50	Hz
Phases	1~	
Input power	28	W
Input current	0.13	A
Impeller speed	2,364	rpm
Air flow	max 0.1167	m ³ /s
Temperature of transported air	max 55	°C
Max temperature of transported air, when speed controlled	55	°C

Sound data

Sound pressure level at 1m	30	dB(A)
----------------------------	----	-------

Protection/Classification

Enclosure class, motor	IP44
Insulation class	F

Data according to ErP

ErP ready	Not ErP relevant
-----------	------------------

Dimensions and weights

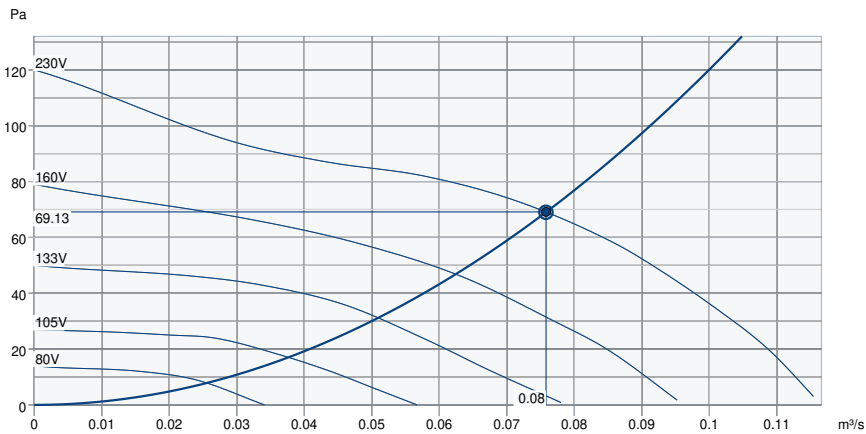
Duct dimension; Circular, inlet	150	mm
Duct dimension; Circular, outlet	150	mm
Weight	3.24	kg

Others

Motor type	AC
------------	----

Performance

Performance curve



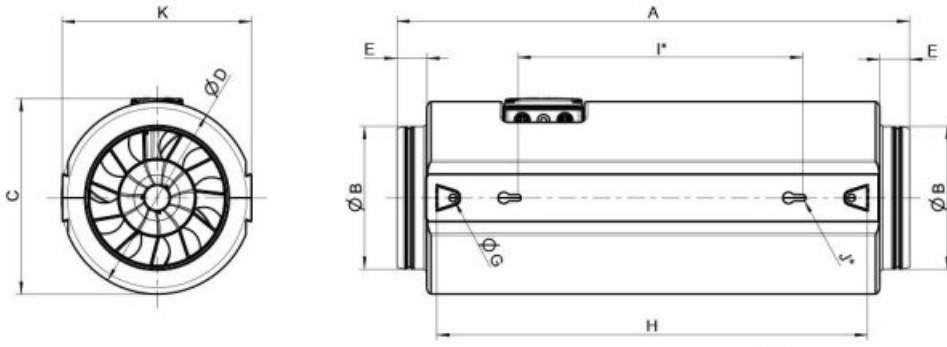
Hydraulic data

Required air flow	0.08 m³/s
Required static pressure	69 Pa
Working air flow	0.08 m³/s
Working static pressure	69 Pa
Air density	1.204 kg/m³
Power	27.1 W
Fan control - RPM	2,395 rpm
Current	0.10 A
SFP	0.357 kW/m³/s
Control voltage	230.0 V
Supply voltage	230 V

Sound power level		63	125	250	500	1k	2k	4k	8k	Total
Inlet	dB(A)	26	31	37	43	47	38	24	20	49
Outlet	dB(A)	27	32	38	44	48	39	25	21	51
Surrounding	dB(A)	16	<10	20	28	39	31	17	10	40
Sound pressure level at 3m (20m² Sabine)	dB(A)	-	-	-	-	-	-	-	-	33
Sound pressure level at 3m free field	dB(A)	-	-	-	-	-	-	-	-	19

Accessories

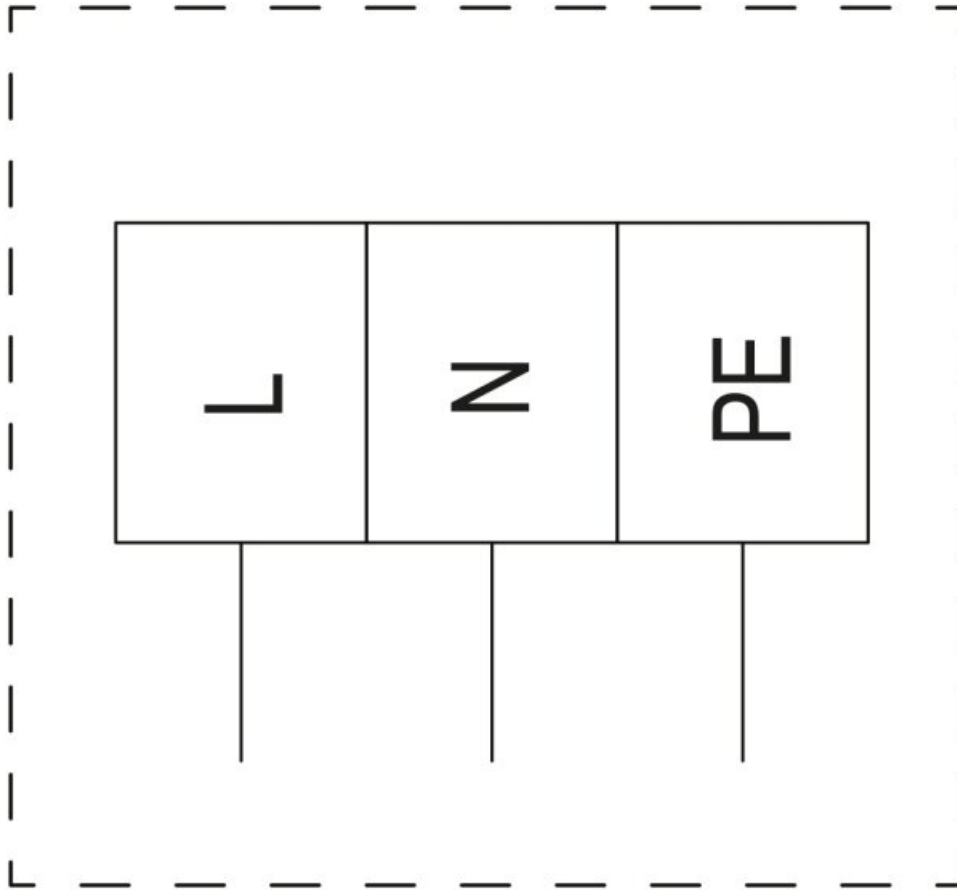
Dimension



Luft / Air

[mm]	A	ØB	C	ØD	E	ØG	H	I*	J*	K
Prio Silent XP 150E2/EC	720	150	235	230	59	10	570	400	9	224

Wiring



Function / assignment

L	Power supply 230V AC, 50...60Hz
N	Neutral conductor
PE	Protective conductor
Speed control:	Voltage controllable (See accessories in our online catalogue)
Motor protection:	By integrated thermal contacts

Accessories

- Frequency converter FRQ5SE-6A (37421)
- REE 1 Speed control (5314)
- RETP 6 Temp/Pressure regulator (32293)
- REV-3POL/03-7,5kW R/Y (33978)
- DTV500A (96807)
- HR1 Room Humidistat (215150)
- RT 0-30 Room Thermostat (5151)
- CB 150-2,1 230V/1 Duct heater (5379)
- CB 150-5,0 400V/2 Duct heater (5381)
- FFR 150 Filter cassette (1769)
- FK 150 Fast clamp (1609)
- RSK-150 Back draft damper (5599)
- RE 1,5 Speed control (5000)
- REPT 6 Digital regulator (5698)
- REU 1.5 Speed control (5004)
- SG 150 Protection guard (5555)
- Frequency converter FRQSE-6A (37419)
- Presence detector/IR24-P (6995)
- CB 150-1,2 230V/1 Duct heater (5378)
- CB 150-2,7 230V/1 Duct heater (5380)
- CBM 150-2,1 230V/1 Duct heater (5481)
- FGR 150 Filter cassette (1807)
- LDC 150-600 Silencer (5199)

Documents

- imo_prioair_en_003
- UKCA DECLARATION OF CONFORMITY_PPIO_PPIO-XP_EN_002.PDF