

MUB 062 560D4 IE3 Multibox

Centrifugal box fan, insulated, flexible outlet

Item Number: 37352

Variant: 400V 3~ 50Hz - 90° air flow



High efficient motor IE3

Speed-controllable via frequency converter

Integral cold conductor (PTC)

Low sound level

Flexible airflow direction due to removable panels

Installation in any mounting position

Easy to maintain and reliable

The MUB fan are equipped with high efficient IE3 motors. The MUB fans have an impeller with backward curved blades, manufactured from aluminum. Speed control is only possible by using a frequency converter. Motor protection is done by cold conductors (PTC), which have to be connected to an external motor protection device. The casing consists of an aluminum frame with fiberglass reinforced plastic corners of PA6; highly shock-resistant. The double skin panels are manufactured from galvanized steel with 20 mm mineral wool insulation. To avoid condensation the profile is provided with a separate chamber to fix screws. The Multibox fans are delivered for straight through airflow but can easily be rebuilt due to removable panels. This allows flexible ventilation solutions. The MUB can also be used as extract- or supply air unit in air handling units. Installation in any mounting position is possible.

MUB with additional modules (filters, heaters etc.) are available as air handling units "K025, K042 or K062" on request!



Technical parameters

Nominal data		
Voltage (Nominal)	400	V
Frequency	50	Hz
Phase(s)	3~	
Input power	2,490	W
Input current	4.28	A
Impeller speed	1,456	r.p.m.
Air flow	max 3.2789	m ³ /s
Temperature of transported air	max 40	°C
Max temperature of transported air, when speed controlled	40	°C
Sound data		
Sound pressure level at 3m (20m ² Sabin)	70	dB(A)
Protection/Classification		
Enclosure class, motor	IP55	
Insulation class	F	

Data according to ErP

ErP ready

ErP 2018

Dimensions and weights

Weight

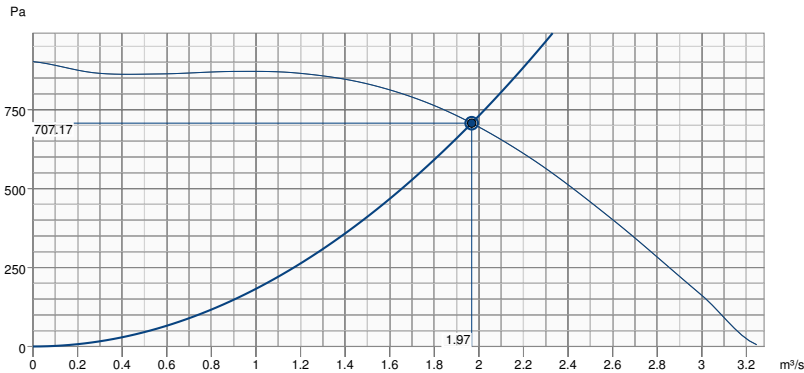
102 kg

Others

Motor type

AC

Performance curve

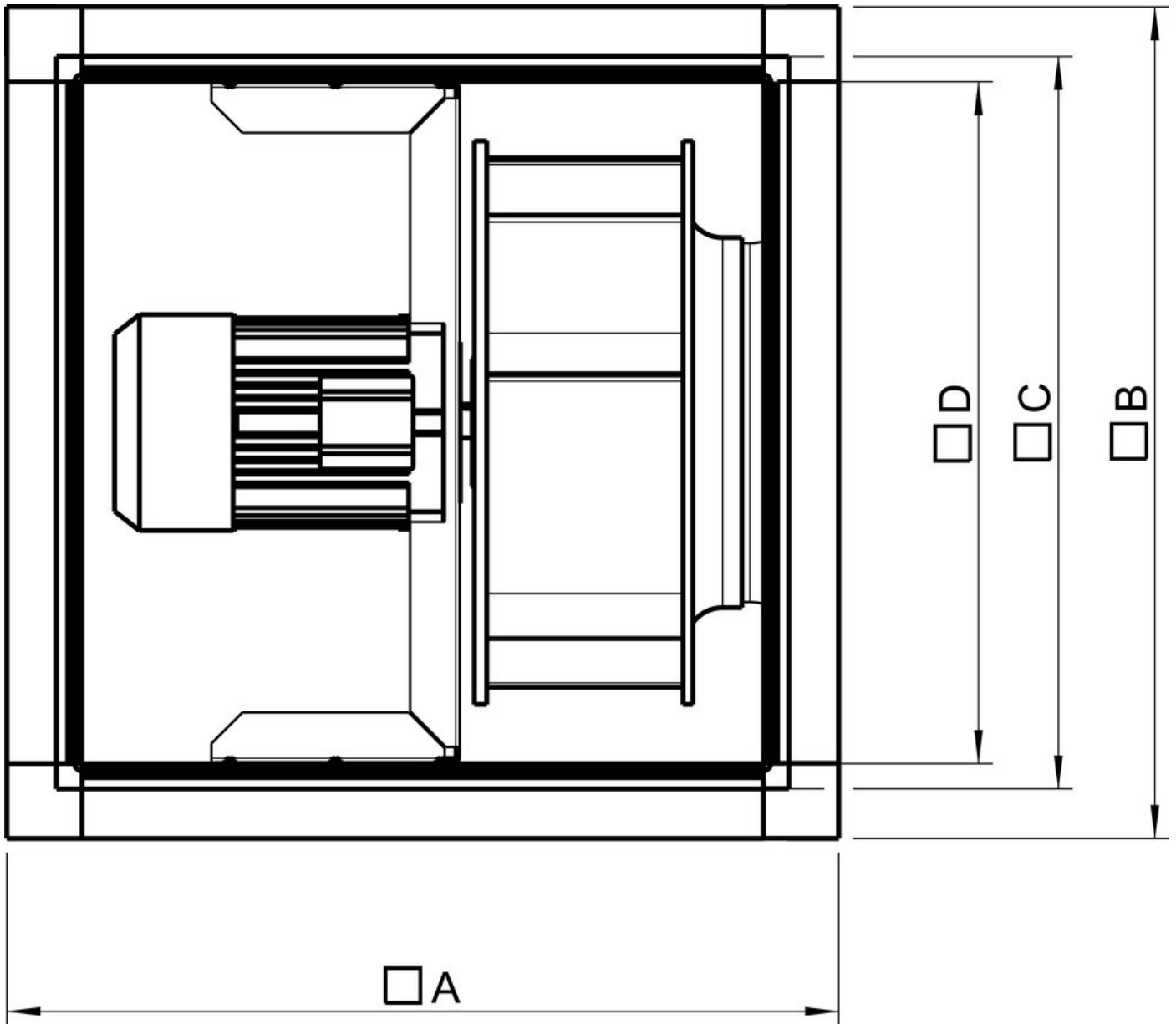


Hydraulic data

Required air flow	1.97 m³/s
Required static pressure	707 Pa
Working air flow	1.97 m³/s
Working static pressure	707 Pa
Air density	1.204 kg/m³
Power	2504.9 W
Fan control - RPM	1456 rpm
Current	4.30 A
SFP	1.273 kW/m³/s
Control voltage	400.0 V
Supply voltage	400 V

Sound power level		63	125	250	500	1k	2k	4k	8k	Total
Inlet	dB(A)	52	69	72	76	77	75	72	65	82
Outlet	dB(A)	54	70	73	78	79	76	74	66	84
Surrounding	dB(A)	48	58	64	57	55	57	62	55	68
Sound pressure level at 3m (20m² Sabine)	dB(A)	-	-	-	-	-	-	-	-	61
Sound pressure level at 3m free field	dB(A)	-	-	-	-	-	-	-	-	47

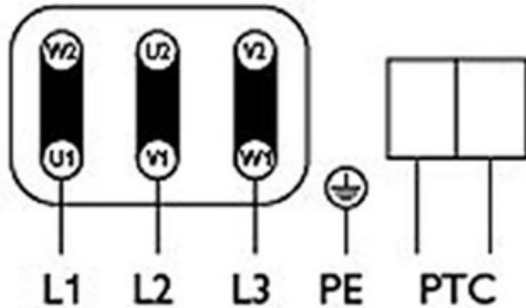
Dimension



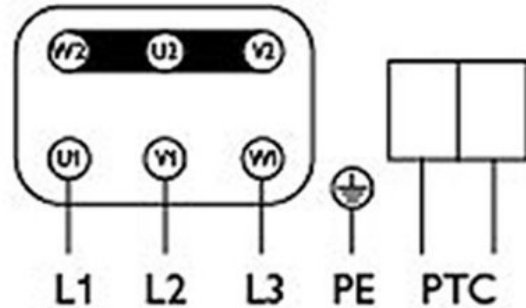
□A □B □C □D

MUB 062 560 800 800 720 678

Dreiphasenmotor mit Kaltleiter
Three phase motor with cold conductor
Moteur triphasé avec résistance PTC



3 x 230V
D Schaltung
Delta connection
Branchement en triangle



3 x 400V
Y Schaltung
Star connection
Branchement en étoile

Drehrichtungsänderung durch Vertauschen von 2 Phasen
Changing of direction of rotation by interchanging of two phases
Changement de sens de rotation par inversion de deux phases

Typenschild beachten! See label! Voir plaquette!

Ecodesign

Product	
Trade name	Systemair
Product name	MUB 062 560D4 IE3
Ecodesign	
ErP compliance	2018
Unit category	NRVU
Drive	External MSD or VSD
Unit type	UVU
Heat recovery type	None
Temperature ratio (UVU)	Not applicable
qv nom	1.97 m ³ /s
P nom	2.504 kW
Ps nom	707 Pa
Fan efficiency	55.5 %
External Leakage	5 %
Sound power level LWA	84 dB(A)

Accessories

- CCMI outlet 062 d560 insul KIT (313847)
- FGV 062/716-716 flex. conn. (4198)
- FRQ5-10A+LED V2 (36230)
- FXDM5AM Frequency inv. IP54 (31387)
- SD-MUB Vibration pad set (37324)
- U-EK230E Motor protection (30199)
- WSD 062 (860x860x70) complete (31482)
- FRQS-10A V2 (36232)
- SDM Service Door MUB 062 comp. (32573)
- CCM inlet MUB062 d630 (311783)
- CCM outlet MUB062 d630 (311681)
- RK-MUB-678x678-S (43681)
- CCMI outlet 062 d630 insul KIT (313848)
- FRQ-10A V2 (36228)
- FRQ5S-10A+LED V2 (36234)
- REV-5POL/05 ON/OFF (33979)
- TUNE-AHU-DE008-062-718x718-M0 (79882)
- UGS 062/630 adapter flex. (4358)
- WSG 062 MUB complete (31486)
- REV-5POL/05 incl. EMC KIT (34549)
- CCM inlet MUB062 d560 (311782)
- CCM outlet MUB062 d560 (311684)
- RK-MUB-678x678-R (43677)
- RKT-MUB-678x678-S (43685)

Documents

- IMO_MUB_141026_DE,EN,SE,DK,ES,RU_001_311722_WEB.PDF
- EU DECLARATION OF CONFORMITY_MUB_EN_[001].PDF

Specification