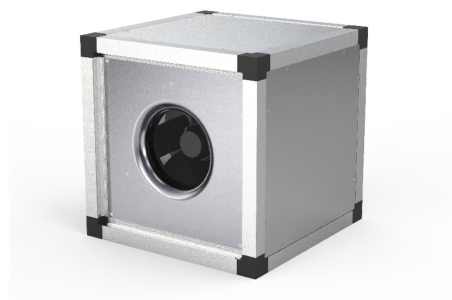


MUB 042 500EV sileo Multibox

Article Number: 235406

Variant : 230V 1~ 50Hz - 90° air flow



Description

- Speed-controllable
- Modular system
- Integral thermal contacts
- Low sound level
- Flexible airflow direction due to removable panels
- Installation in any mounting position
- Maintenance-free and reliable

The MUB fans size 500 have 3D profiled impellers with backward curved blades, manufactured from polyamide. The MUB 500 is equipped with external rotor motors, fully speed controllable. For speed controlling with a frequency converter a type with all pole sine filter is needed!. The three phase motors are D/Y connected for two speed operation. Motor protection is done by thermal contacts, which have to be connected to an...

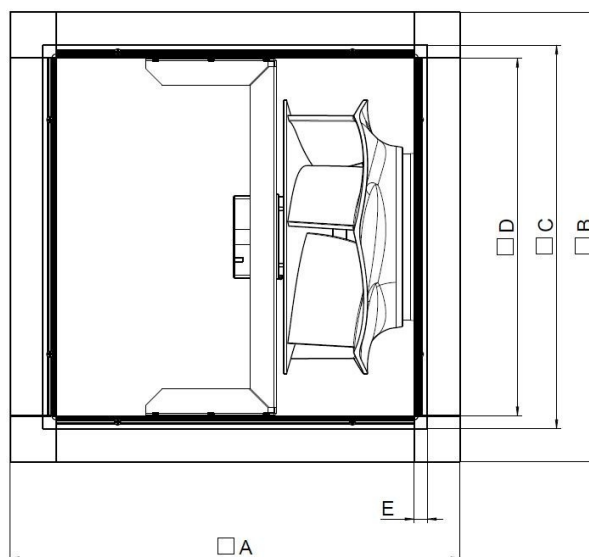
[Find more details in our online catalogue](#)

Technical parameters

Nominal data	
Voltage (nominal)	230 V
Frequency	50 Hz
Phase(s)	1~
Input power	1,130 W
Input current	5.56 A
Impeller speed	1,388 r.p.m.
Air flow	max 2.088 m ³ /s
Capacitance of capacitor	30 μF
Temperature of transported air	max 60 °C
Max temperature of transported air, when speed controlled	60 °C
Protection/Classification	
Enclosure class, motor	IP54
Insulation class	F
Data according to ErP	
ErP ready	ErP 2018
Dimensions and weights	
Weight	61 kg
Others	
Motor type	AC

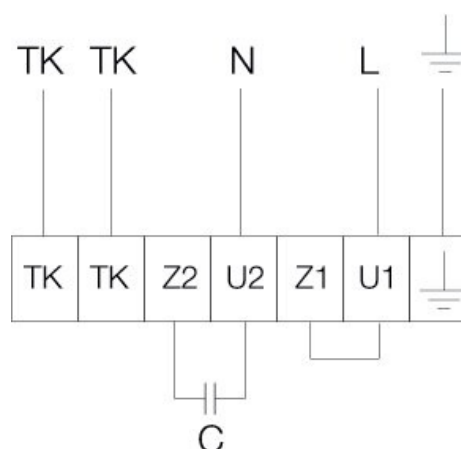
Dimension

MUB 042	A	B	C	D	E
400/450/500	690	690	590	548	21

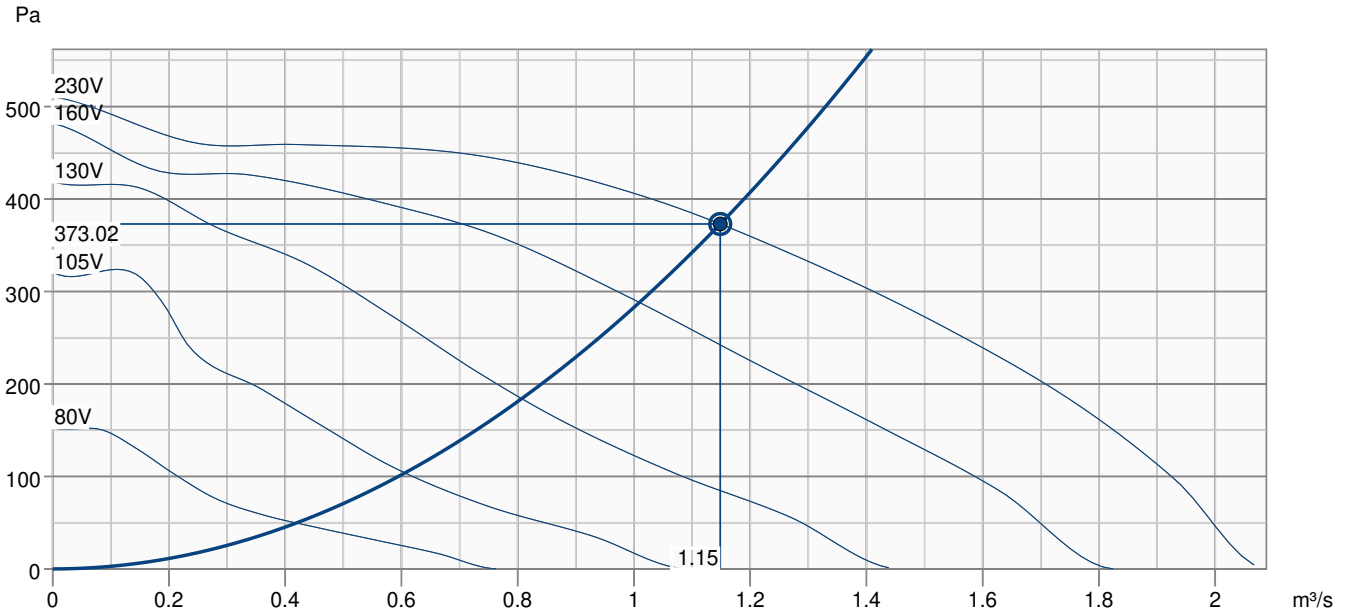


Wiring

230V 1~



Performance curve



Hydraulic data										
Required air flow										1.15 m³/s
Required static pressure										373 Pa
Working air flow										1.15 m³/s
Working static pressure										373 Pa
Air density										1.204 kg/m³
Power										1053.8 W
Fan control - RPM										1400 rpm
Current										5.14 A
SFP										0.918 kW/m³/s
Control voltage										230.0 V
Supply voltage										230 V
Sound power level		63	125	250	500	1k	2k	4k	8k	Total
Inlet	dB(A)	46	65	68	73	78	76	73	64	82
Outlet	dB(A)	48	67	69	75	79	78	74	66	83
Surrounding	dB(A)	26	47	44	43	48	50	41	29	54
Sound pressure level at 3m (20m² Sabine)	dB(A)	-	-	-	-	-	-	-	-	47
Sound pressure level at 3m free field	dB(A)	-	-	-	-	-	-	-	-	33

Accessories

FGV 042/586-586 flex. conn. (4605)
 REU 7 Speed control (5007)
 RTRE 7 Speed control (5011)
 SD-MUB Vibration pad set (37324)
 UGS 042/500 adapter flex. (4357)
 WSG 042 MUB complete (31485)
 CCM inlet MUB042 d400 (311780)
 CCM outlet MUB042 d400 (311682)
 CCMi outlet 042 d400 KIT 30mm (239093)
 GRU 042 base frame h= 100mm (276661)
 KKC-DX-R 042 cooling section (277265)
 KKC-W-R 042 cooling section (277273)
 KKH-HW 042 heater-section (93339)

FRQ5S-E-6A (37421)
 REV-5POL/05-7,5kW R/Y (33979)
 S-ET 10 Motor Protection (161199)
 TUNE-AHU-DE007-042-588x588-M0 (79881)
 WSD 042 (730x730x70) complete (31481)
 FRQS-E-6A (37419)
 CCM inlet MUB042 d500 (311781)
 CCM outlet MUB042 d500 (311683)
 CCMi outlet 042 d500 KIT 30mm (239094)
 KKC-DX-L 042 cooling section (277261)
 KKC-W-L 042 cooling section (277269)
 KKF 30 042-filter-section (93311)
 KKS 042 silencer-section (276851)

Documents

imo_mub_all_010_en_248056
 UKCA DECLARATION OF CONFORMITY_MUB_EN_[001].PDF
 COMMISSIONING REPORT_FANS_160628_EN_001.PDF