

MUB 042 450EV sileo Multibox

Centrifugal box fan, insulated, flexible outlet

Item Number: 235407

Variant: 230V 1~ 50Hz - 90° air flow



- Speed-controllable
- Modular system
- Integral thermal contacts
- Low sound level
- Flexible airflow direction due to removable panels
- Installation in any mounting position
- Maintenance-free and reliable

The MUB fans size 450 have 3D profiled impellers with backward curved blades, manufactured from polyamide. The MUB 450 is equipped with external rotor motors, fully speed controllable. For speed controlling with a frequency converter a type with all pole sine filter is needed!. The three phase motors are D/Y connected for two speed operation. Motor protection is done by thermal contacts, which have to be connected to an external motor protection device. The casing consists of a corrosion-resistant aluminium frame with fibreglass reinforced plastic corners of PA6; highly shock-resistant.

The double skin panels are manufactured from galvanised steel with 30 mm mineral wool insulation. To avoid condensation the profile is provided with a separate chamber to fix screws. The Multibox fans are delivered for straight through airflow but can easily be rebuilt due to removable panels. This allows flexible ventilation solutions. The MUB can also be used as extract- or supply air unit in air handling units. Installation in any mounting position is possible.



MUB with additional modules (filters, heaters etc.) are available as air handling units "K025, K042 or K062" on request!

Technical parameters

| Nominal data | | |
|---|-----------|--------|
| Voltage (nominal) | 230 | V |
| Frequency | 50 | Hz |
| Phase(s) | 1~ | |
| Input power | 752 | W |
| Input current | 3.1 | A |
| Impeller speed | 1,369 | r.p.m. |
| Air flow | max 1.608 | m³/s |
| Capacitance of capacitor | 16 | µF |
| Temperature of transported air | max 65 | °C |
| Max temperature of transported air, when speed controlled | 65 | °C |

Protection/Classification

| | |
|------------------------|------|
| Enclosure class, motor | IP54 |
|------------------------|------|

| | |
|------------------|---|
| Insulation class | F |
|------------------|---|

Data according to ErP

| | |
|-----------|----------|
| ErP ready | ErP 2018 |
|-----------|----------|

Dimensions and weights

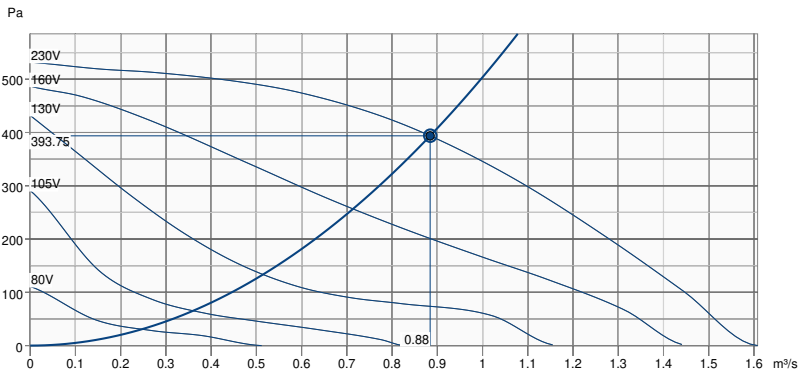
| | |
|--------|---------|
| Weight | 59.5 kg |
|--------|---------|

Others

| | |
|------------|----|
| Motor type | AC |
|------------|----|

Performance

Performance curve



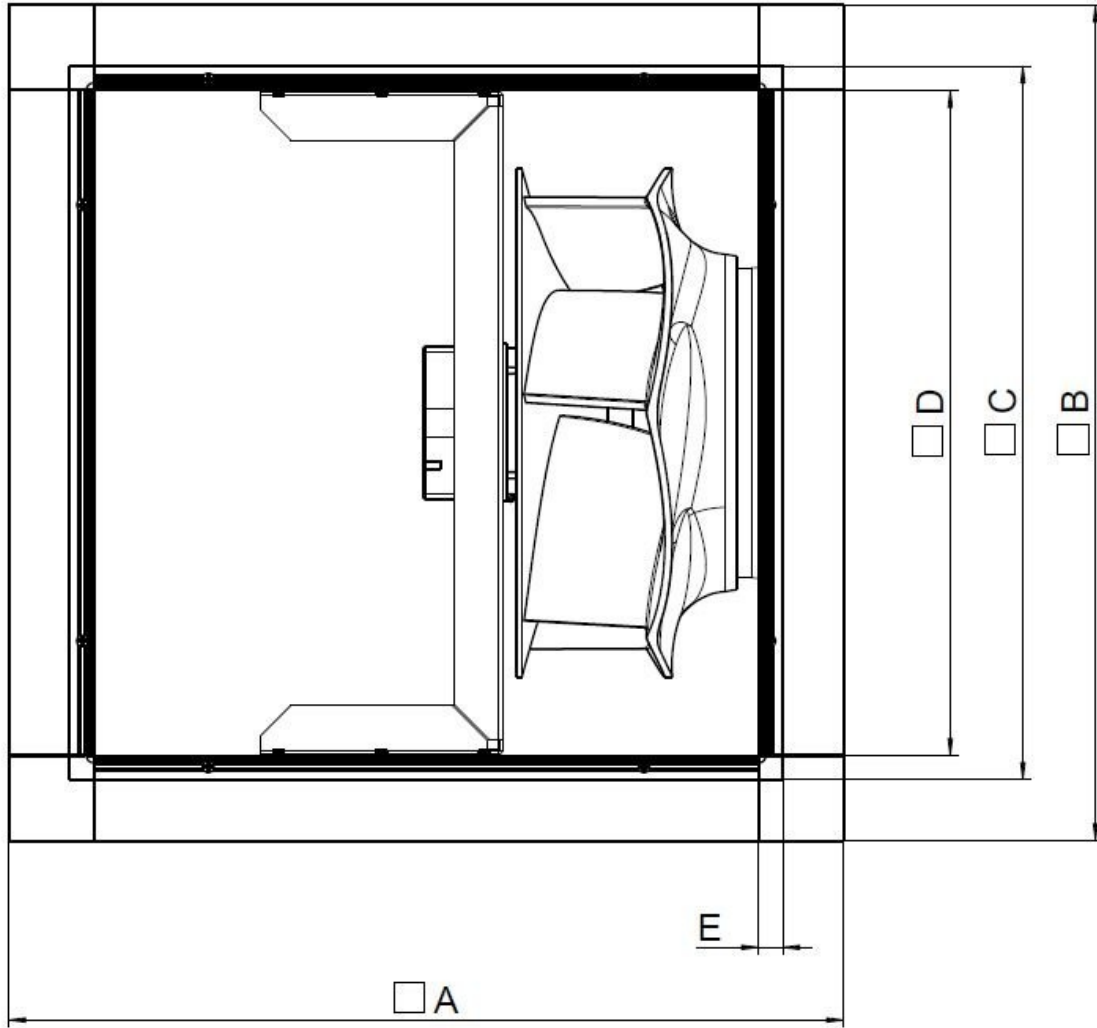
Hydraulic data

| | |
|--------------------------|---------------|
| Required air flow | 0.88 m³/s |
| Required static pressure | 394 Pa |
| Working air flow | 0.88 m³/s |
| Working static pressure | 394 Pa |
| Air density | 1.204 kg/m³ |
| Power | 751.1 W |
| Fan control - RPM | 1369 rpm |
| Current | 3.09 A |
| SFP | 0.849 kW/m³/s |
| Control voltage | 230.0 V |
| Supply voltage | 230 V |

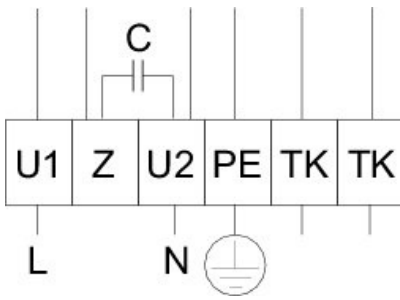
| Sound power level | | 63 | 125 | 250 | 500 | 1k | 2k | 4k | 8k | Total |
|--|-------|----|-----|-----|-----|----|----|----|----|-------|
| Inlet | dB(A) | 46 | 59 | 62 | 67 | 72 | 70 | 63 | 55 | 75 |
| Outlet | dB(A) | 47 | 61 | 64 | 69 | 73 | 71 | 64 | 56 | 77 |
| Surrounding | dB(A) | 30 | 44 | 45 | 42 | 46 | 47 | 38 | 24 | 52 |
| Sound pressure level at 3m (20m² Sabine) | dB(A) | - | - | - | - | - | - | - | - | 45 |
| Sound pressure level at 3m free field | dB(A) | - | - | - | - | - | - | - | - | 31 |

Dimension

| MUB 042 | □A | □B | □C | □D | E |
|-------------|-----|-----|-----|-----|----|
| 400/450/500 | 690 | 690 | 590 | 548 | 21 |



Wiring



Acoustic

The Level of Casing-Breakout-Noise depends on the quality of shielding the acoustic inlet and outlet noises.

The shown Level of Casing-Breakout-Noise will be reached only in case of 100 % shielding the acoustic inlet and outlet noise and a correspondingly low environment noise.