

MTP 10, 10K, Speed control

32731 MTP 10, 10K, Speed control

Item Number: 32731

Variant: 10V

Potentiometer 10kΩ for speed controlling

- Combined flush or surface mounting

For the manual control of speed and air flow of electrical fans with 0-10V output.

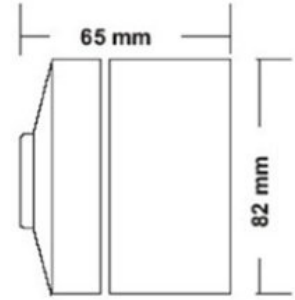
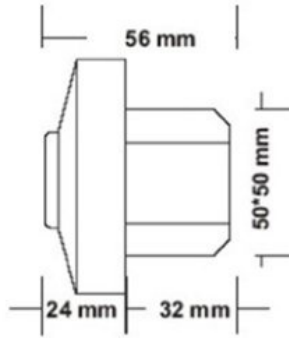
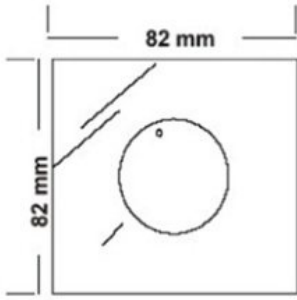
The jetproof IP 54 enclosure is achieved with the included surface mounting case. (Flush-mounting without the surface mounting case, gives a splash proof IP 44 enclosure also suitable for highly demand environments as bathrooms etc).



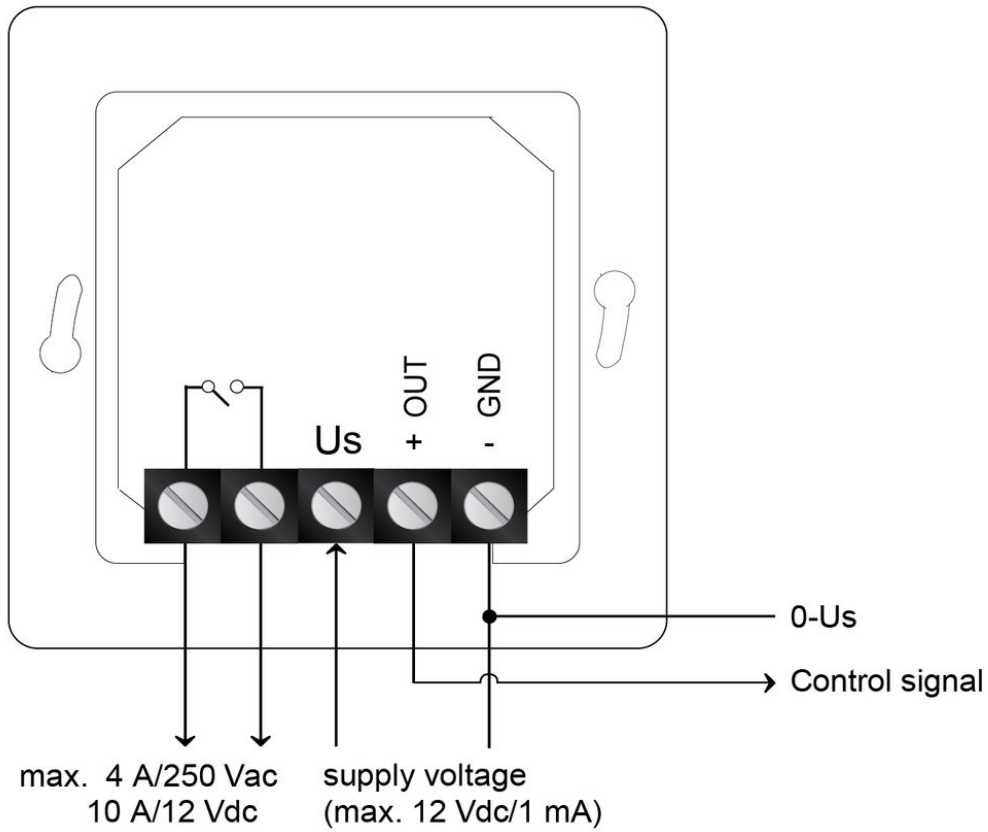
Technical parameters

Nominal data	
Voltage (Nominal)	10 V
Voltage type	DC
Protection/Classification	
Enclosure class	IP44
Controller and Sensors	
Switching capacity	4A / 250V
Rangeability	0...10 V
Control signal	0...10 kOhm
Dimensions and weights	
Weight	0.17 kg
Others	
Contact	1 NO

Dimension



Wiring



Us = 10V Supply

+ = 0-10V Output signal

- = GND

Documents

- DATASHEET_MTP_10.PDF
- MTP-Declaration of conformity.pdf