

K 315 M sileo**

Centrifugal circular duct fan

Item Number: [27758](#)

Variant: 230V 1~ 50Hz

- Speed-controllable
- Quiet-running
- Increased efficiency
- Integral thermal contacts
- Can be installed in any position
- Can be installed outdoors
- Maintenance-free and reliable

The K Sileo series is designed for installation in ducts. All K-fans have a minimum 25 mm long spigot connections.

The fans have backward-curved blades and external rotor motors. To simplify the installation the K Sileo fan has a fixing bracket together with screws for mounting the bracket included as standard. The FK mounting clamp facilitates easy installation and removal, and prevents the transfer of vibration to the duct. The fans can be speed-controlled via a stepless thyristor or a 5-step transformer.

To protect the motor from overheating the fan has integral thermal contacts with manual reset.

The casing is manufactured from galvanised sheet steel and folded which gives the fan a close to air tight casing. Duct connected outdoor and wet room applications of the fan are possible due to the air tight casing



Technical parameters

Normal data		
Voltage (Nominal)	230	V
Frequency	50	Hz
Phase(s)	1~	
Input power	201	W
Input current	0.882	A
Impeller speed	2,520	r.p.m.
Air flow	max 0.344	m³/s
Capacitance of capacitor	5	µF
Temperature of transported air	max 70	°C
Max temperature of transported air, when speed controlled	70	°C
Sound data		
Sound pressure level at 3m (20m² Sabin)	48	dB(A)

Protection/Classification

Enclosure class, motor	IP44
Insulation class	F

Data according to ErP

ErP ready	Not ErP relevant
-----------	------------------

Dimensions and weights

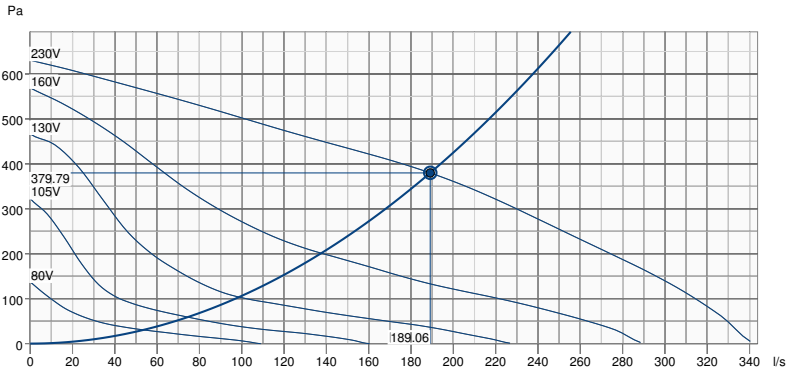
Duct dimension; Circular, inlet	315	mm
Duct dimension; Circular, outlet	315	mm
Weight	5.5	kg

Others

Duct connection type	Circular
Motor type	AC

Performance

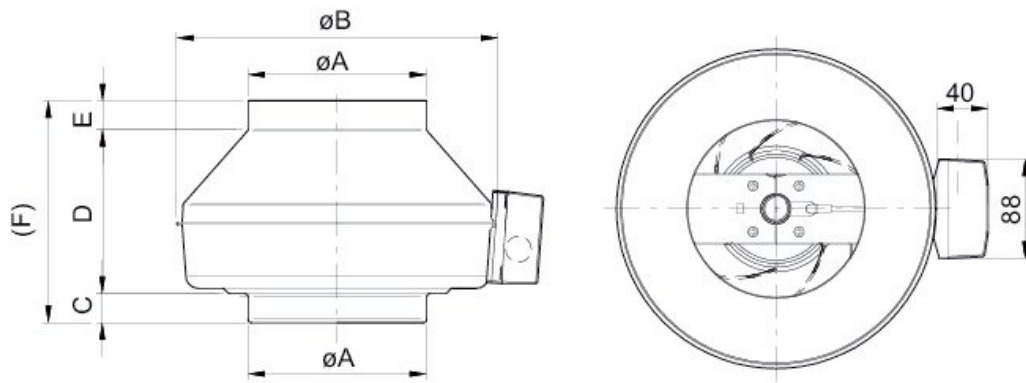
Performance curve



Hydraulic data	
Required air flow	189.09 l/s
Required static pressure	380 Pa
Working air flow	189.06 l/s
Working static pressure	380 Pa
Air density	1.204 kg/m ³
Power	197.8 W
Fan control - RPM	2521 rpm
Current	0.87 A
SFP	1.046 kW/m ³ /s
Control voltage	230.0 V
Supply voltage	230 V

Sound power level		63	125	250	500	1k	2k	4k	8k	Total
Inlet	dB(A)	45	60	64	63	65	63	64	53	71
Outlet	dB(A)	51	61	64	62	65	66	63	54	72
Surrounding	dB(A)	15	25	42	46	45	49	46	32	53
Sound pressure level at 3m (20m ² Sabine)	dB(A)	-	-	-	-	-	-	-	-	46
Sound pressure level at 3m free field	dB(A)	-	-	-	-	-	-	-	-	32

Dimension



↑

$\varnothing A$	$\varnothing B$	C	D	E	F
314	408	32.5	160.5	27	220

