

## K 315 L sileo

Centrifugal circular duct fan

Item Number: [19514](#)

Variant: 230V 1~ 50Hz

- Speed-controllable
- Integral thermal contacts
- Can be installed in any position
- Can be installed outdoors
- Maintenance-free and reliable

The K series is designed for installation in ducts. All the K-fans have minimum 25 mm long spigot connections.

The fans have backward-curved blades and external rotor motors. To simplify the installation the K-fan has a fixing bracket together with screws for mounting the bracket included as standard. The FK mounting clamp facilitates easy installation and removal, and prevents the transfer of vibration to the duct. The fans can be speed-controlled via a stepless thyristor or a 5-step transformer.

To protect the motor from overheating the fan has integral thermal contacts with manual reset. The casing is manufactured from galvanised sheet steel and folded which gives the fan a close to air tight casing. Duct connected outdoor and wet room applications of the fan are possible due to the air tight casing



### Technical parameters

Nominal data		
Voltage (Nominal)	230	V
Frequency	50	Hz
Phase(s)	1~	
Input power	318	W
Input current	1.39	A
Impeller speed	2,318	r.p.m.
Air flow	max 0.48	m <sup>3</sup> /s
Capacitance of capacitor	7	µF
Temperature of transported air	max 57	°C
Max temperature of transported air, when speed controlled	52	°C
Sound data		
Sound pressure level at 3m (20m <sup>2</sup> Sabin)	50	dB(A)
Protection/Classification		
Enclosure class, motor	IP44	
Insulation class	F	

**Data according to ErP**

ErP ready

Not ErP relevant

**Dimensions and weights**

Duct dimension; Circular, inlet

315 mm

Duct dimension; Circular, outlet

315 mm

Weight

6.6 kg

**Others**

Duct connection type

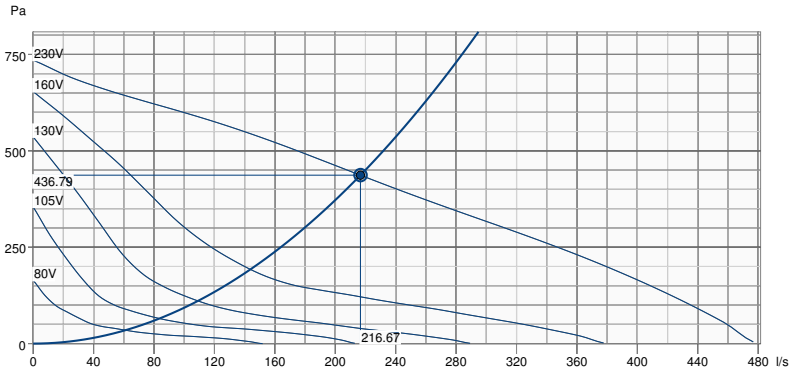
Circular

Motor type

AC

# Performance

## Performance curve

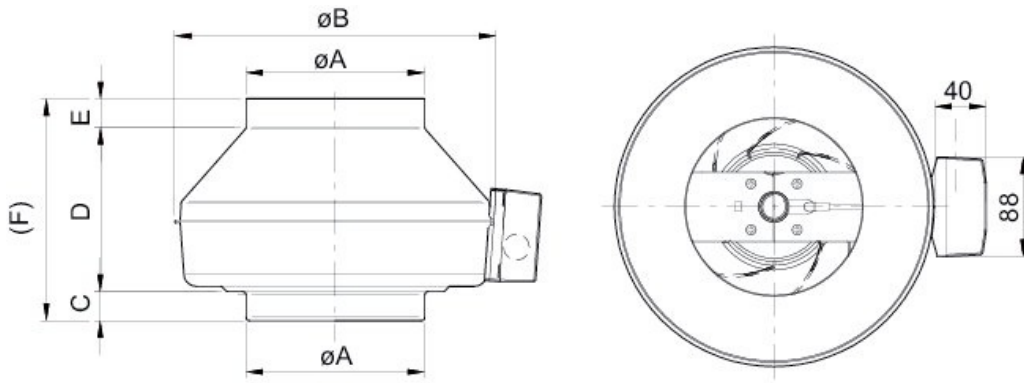


### Hydraulic data

Required air flow	216.72 l/s
Required static pressure	437 Pa
Working air flow	216.67 l/s
Working static pressure	437 Pa
Air density	1.204 kg/m <sup>3</sup>
Power	311.4 W
Fan control - RPM	2438 rpm
Current	1.35 A
SFP	1.437 kW/m <sup>3</sup> /s
Control voltage	230.0 V
Supply voltage	230 V

Sound power level		63	125	250	500	1k	2k	4k	8k	Total
Inlet	dB(A)	53	66	68	70	68	66	62	58	75
Outlet	dB(A)	56	65	68	70	71	70	64	58	77
Surrounding	dB(A)	27	36	49	58	47	50	46	38	59
Sound pressure level at 3m (20m <sup>2</sup> Sabine)	dB(A)	-	-	-	-	-	-	-	-	52
Sound pressure level at 3m free field	dB(A)	-	-	-	-	-	-	-	-	38

## Dimension

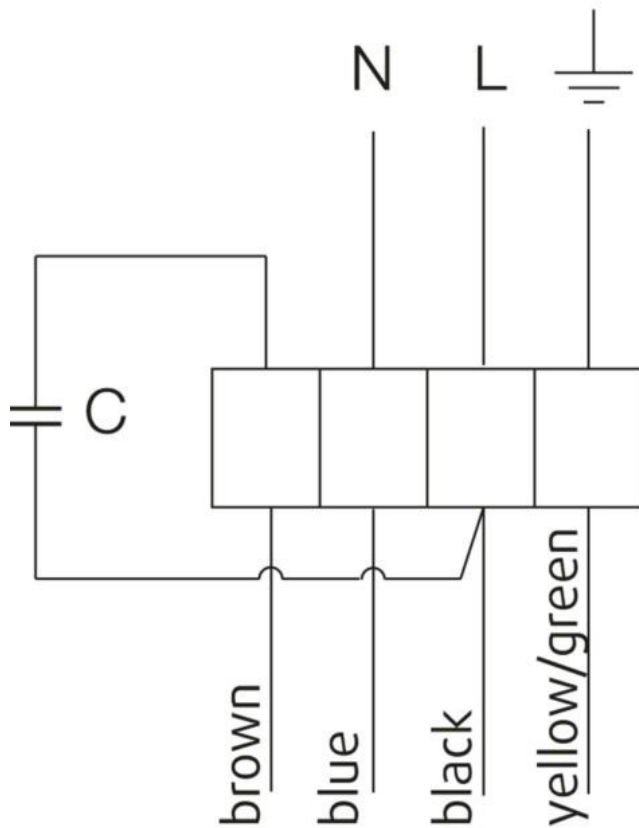


↑

$\varnothing A$	$\varnothing B$	C	D	E	F
314	408	38	161	27	225

## Wiring

230V 1~



U1 = blue = blau

U2 = black = schwarz

Z = brown = braun

PE = yellow/green = grün-gelb