

K 250 M sileo

Article Number: 25367

Variant : 230V 1~ 50Hz



Description

- Speed-controllable
- Quiet-running
- Increased efficiency
- Integral thermal contacts
- Can be installed in any position
- Can be installed outdoors
- Maintenance-free and reliable

The K Sileo series is designed for installation in ducts. All K-fans have a minimum 25 mm long spigot connections.

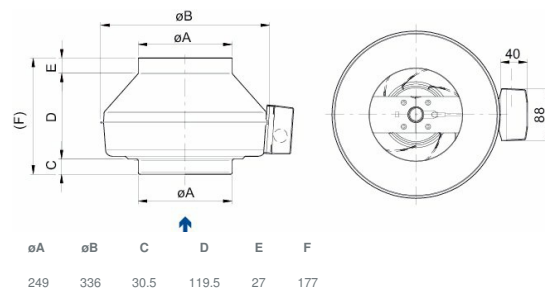
The fans have backward-curved blades and external rotor motors. To simplify the installation the K Sileo fan has a fixing bracket together with screws for mounting the bracket included as standard. The FK mounting clamp facilitates easy installation and removal, and prevents the transfer of vibration to the duct. The fans can be speed-controlled...

[Find more details in our online catalogue](#)

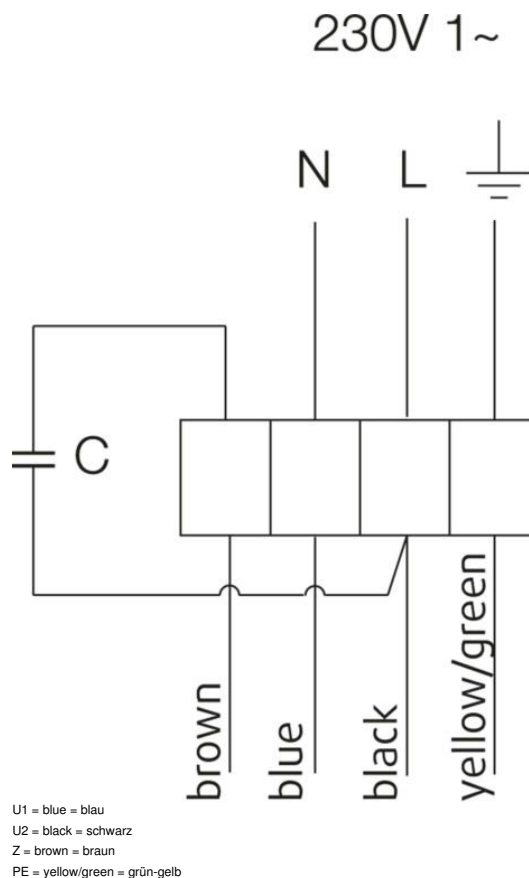
Technical parameters

Nominal data	
Voltage (Nominal)	230 V
Frequency	50 Hz
Phase(s)	1~
Input power	103 W
Input current	0.449 A
Impeller speed	2.535 r.p.m.
Air flow	max 0.219 m³/s
Capacitance of capacitor	2.5 µF
Temperature of transported air	max 70 °C
Max temperature of transported air, when speed controlled	70 °C
Sound data	
Sound pressure level at 3m (20m² Sabin)	43 dB(A)
Protection/Classification	
Enclosure class, motor	IP44
Insulation class	F
Data according to ErP	
ErP ready	ErP 2016; ErP 2018
Dimensions and weights	
Duct dimension: Circular, inlet	250 mm
Duct dimension: Circular, outlet	250 mm
Weight	3.9 kg
Others	
Duct connection type	Circular
Motor type	AC

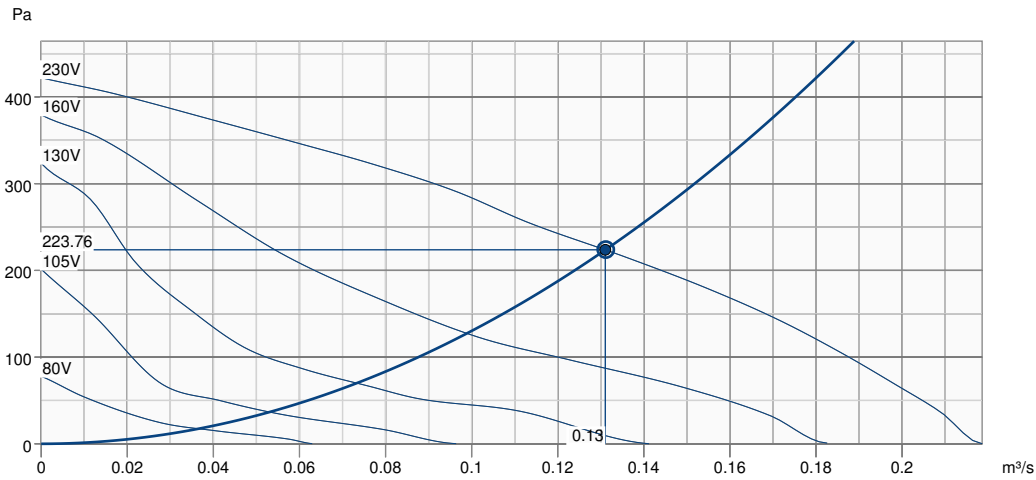
Dimension



Wiring



Performance curve



Hydraulic data

Required air flow	0.13 m³/s
Required static pressure	224 Pa
Working air flow	0.13 m³/s
Working static pressure	224 Pa
Air density	1.204 kg/m³
Power	101.2 W
Fan control - RPM	2520 rpm
Current	0.45 A
SFP	0.772 kW/m³/s
Control voltage	230.0 V
Supply voltage	230 V

Sound power level		63	125	250	500	1k	2k	4k	8k	Total
Inlet	dB(A)	38	59	64	61	61	59	54	49	68
Outlet	dB(A)	42	62	65	61	62	61	53	47	69
Surrounding	dB(A)	12	30	40	43	43	38	36	31	48
Sound pressure level at 3m (20m² Sabine)	dB(A)	-	-	-	-	-	-	-	-	41
Sound pressure level at 3m free field	dB(A)	-	-	-	-	-	-	-	-	27

Accessories

FRQ5S-E-6A (37421)	RE 1.5 Speed control (5000)
REE 1 Speed control (5314)	REPT 6 Digital regulator (5698)
RETP 6 Temp/Pressure regulator (32293)	REU 1.5 Speed control (5004)
REV-3POL/03 ON/OFF (33978)	SG 250 Protection guard (5610)
VKK-250 Back draft damper (1627)	CB 250-6,0 400V/2 Duct heater (5372)
CO2RT-R-D Transmitter (6993)	DTV500A (96807)
FRQS-E-6A (37419)	Presence detector/IR24-P (6995)
RT 0-30 Room Thermostat (5151)	CB 250-3,0 230V/1 Duct heater (5385)
CB 250-9,0 400V/3 Duct heater (5373)	CBM 250-6,0 400V/2 Duct heater (9089)
CWK 250-3-2,5 Duct cooler,circ (30024)	FFR 250 Filter cassette (1776)
FGR 250 Filter cassette (1815)	FK 250 Fast clamp (1612)
LDC 250-900 Silencer (5196)	RSK-250 Back draft damper (5603)
VBC 250-2 Water heating batt (5460)	VBC 250-3 Water heating batt (9843)
VBF 250 Water heating battery (1733)	VK-25 Louvre shutter (5640)
STL 1.5 Speed controller (84251)	

Documents

Fans_Operating and Maintenance_instr_202341_CE_multilingual.pdf
K fan mounting.wmv