

# K 200 M sileo

Article Number: 25366

Variant : 230V 1~ 50Hz



## Description

- Speed-controllable
- Quiet-running
- Increased efficiency
- Integral thermal contacts
- Can be installed in any position
- Can be installed outdoors
- Maintenance-free and reliable

The K Sileo series is designed for installation in ducts. All K-fans have a minimum 25 mm long spigot connections.

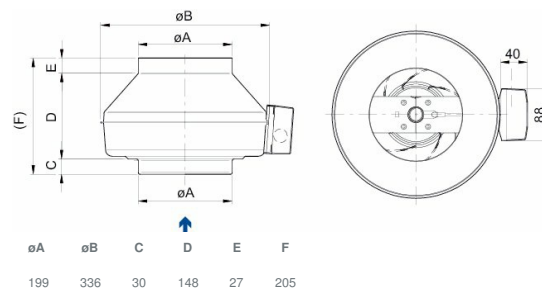
The fans have backward-curved blades and external rotor motors. To simplify the installation the K Sileo fan has a fixing bracket together with screws for mounting the bracket included as standard. The FK mounting clamp facilitates easy installation and removal, and prevents the transfer of vibration to the duct. The fans can be speed-controlled...

[Find more details in our online catalogue](#)

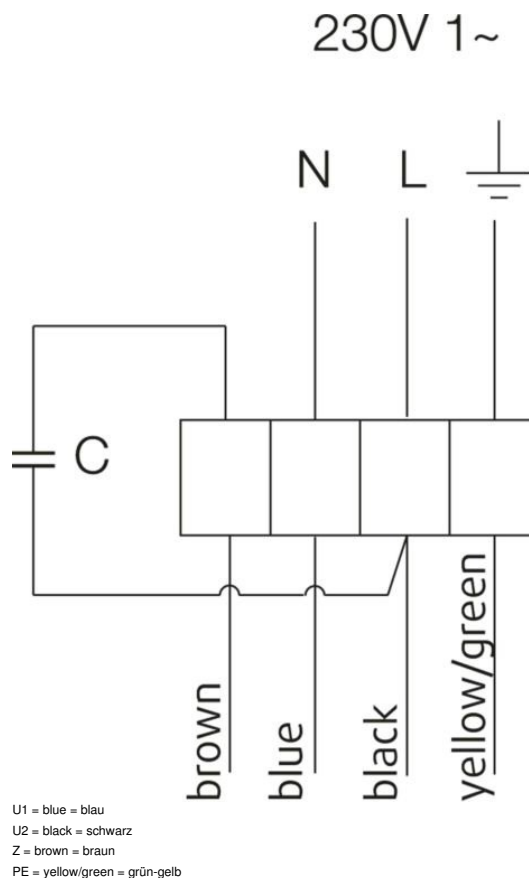
## Technical parameters

Nominal data	
Voltage (Nominal)	230 V
Frequency	50 Hz
Phase(s)	1~
Input power	102 W
Input current	0.442 A
Impeller speed	2.529 r.p.m.
Air flow	max 0.211 m³/s
Capacitance of capacitor	2.5 µF
Temperature of transported air	max 70 °C
Max temperature of transported air, when speed controlled	70 °C
Sound data	
Sound pressure level at 3m (20m² Sabin)	45 dB(A)
Protection/Classification	
Enclosure class, motor	IP44
Insulation class	F
Data according to ErP	
ErP ready	ErP 2016; ErP 2018
Dimensions and weights	
Duct dimension: Circular, inlet	200 mm
Duct dimension: Circular, outlet	200 mm
Weight	4.1 kg
Others	
Duct connection type	Circular
Motor type	AC

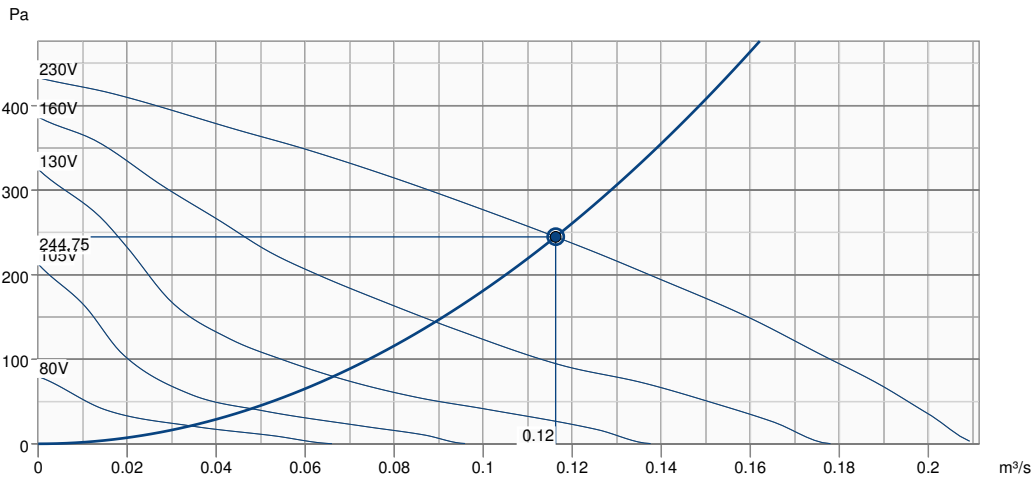
## Dimension



## Wiring



## Performance curve



### Hydraulic data

Required air flow	0.12 m³/s
Required static pressure	245 Pa
Working air flow	0.12 m³/s
Working static pressure	245 Pa
Air density	1.204 kg/m³
Power	99.0 W
Fan control - RPM	2530 rpm
Current	0.43 A
SFP	0.851 kW/m³/s
Control voltage	230.0 V
Supply voltage	230 V

Sound power level		63	125	250	500	1k	2k	4k	8k	Total
Inlet	dB(A)	42	62	62	65	63	62	57	50	70
Outlet	dB(A)	46	57	64	64	63	63	57	48	70
Surrounding	dB(A)	17	23	35	46	43	43	38	28	50
Sound pressure level at 3m (20m² Sabine)	dB(A)	-	-	-	-	-	-	-	-	43
Sound pressure level at 3m free field	dB(A)	-	-	-	-	-	-	-	-	29

## Accessories

FRQ5S-E-6A (37421)	RE 1,5 Speed control (5000)
REE 1 Speed control (5314)	REPT 6 Digital regulator (5698)
RETP 6 Temp/Pressure regulator (32293)	REU 1.5 Speed control (5004)
REV-3POL/03 ON/OFF (33978)	SG 200 Protection guard (5609)
VKK-200 Back draft damper (1626)	CO2RT-R-D Transmitter (6993)
DTV500A (96807)	FRQS-E-6A (37419)
IGK-200 Wall Grid (1633)	Presence detector/IR24-P (6995)
RT 0-30 Room Thermostat (5151)	VBF 200 Water heating battery (1732)
CB 200-2,1 230V/1 Duct heater (5384)	CB 200-3,0 230V/1 Duct heater (5370)
CB 200-3,0 400V/2 Duct heater (5294)	CB 200-5,0 400V/2 Duct heater (5371)
CBM 200-5,0 400V/2 Duct heater (5483)	CWK 200-3-2,5 Duct cooler,circ (30023)
FFR 200 Filter cassette (1773)	FGR 200 Filter cassette (1812)
FK 200 Fast clamp (1611)	LDC 200-300 Silencer (53369)
LDC 200-600 Silencer (5194)	LDC 200-900 Silencer (5195)
RSK-200 Back draft damper (5602)	VBC 200-2 Water heating batt (5459)
VBC 200-3 Water heating batt (9841)	VK-20 Louvre shutter (5639)
STL 1.5 Speed controller (84251)	

## Documents

Fans\_Operating and Maintenance\_instr\_202341\_CE\_multilingual.pdf  
K fan mounting.wmv