

K 200 L sileo

Centrifugal circular duct fan

Item Number: 19510

Variant: 230V 1~ 50Hz



- Speed-controllable
- Integral thermal contacts
- Can be installed in any position
- Can be installed outdoors
- Maintenance-free and reliable

The K series is designed for installation in ducts. All the K-fans have minimum 25 mm long spigot connections.

The fans have backward-curved blades and external rotor motors. To simplify the installation the K-fan has a fixing bracket together with screws for mounting the bracket included as standard. The FK mounting clamp facilitates easy installation and removal, and prevents the transfer of vibration to the duct. The fans can be speed-controlled via a stepless thyristor or a 5-step transformer.

To protect the motor from overheating the fan has integral thermal contacts with manual reset. The casing is manufactured from galvanised sheet steel and folded which gives the fan a close to air tight casing. Duct connected outdoor and wet room applications of the fan are possible due to the air tight casing



Technical parameters

Nominal data		
Voltage (nominal)	230	V
Frequency	50	Hz
Phase(s)	1~	
Input power	155	W
Input current	0.682	A
Impeller speed	2,638	r.p.m.
Air flow	max 0.2706	m ³ /s
Capacitance of capacitor	3.5	µF
Temperature of transported air	max 70	°C
Max temperature of transported air, when speed controlled	70	°C
Sound data		
Sound pressure level at 3m (20m ² Sabin)	48	dB(A)

Protection/Classification

Enclosure class, motor	IP44
------------------------	------

Insulation class	F
------------------	---

Data according to ErP

ErP ready	ErP 2016; ErP 2018
-----------	--------------------

Dimensions and weights

Duct dimension; Circular, inlet	200	mm
---------------------------------	-----	----

Duct dimension; Circular, outlet	200	mm
----------------------------------	-----	----

Weight	4.8	kg
--------	-----	----

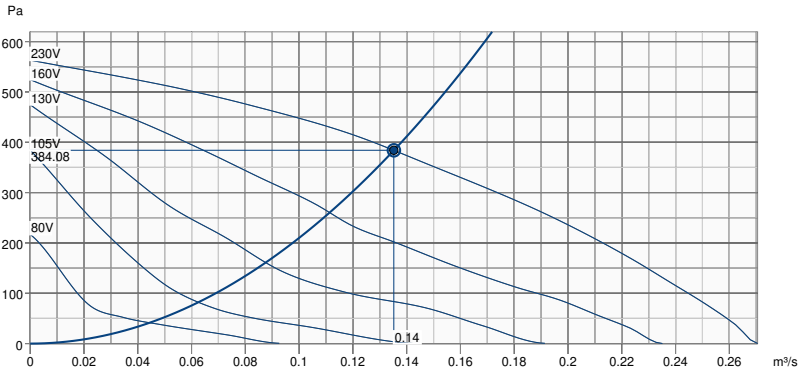
Others

Duct connection type	Circular
----------------------	----------

Motor type	AC
------------	----

Performance

Performance curve

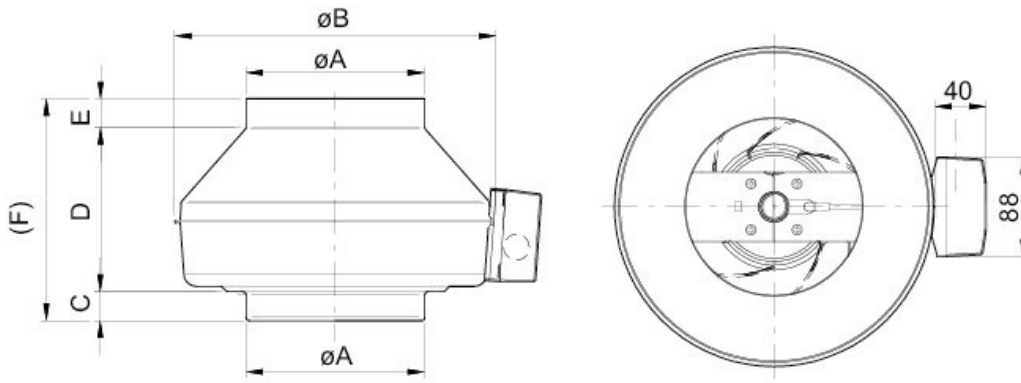


Hydraulic data

Required air flow	0.14 m³/s
Required static pressure	384 Pa
Working air flow	0.14 m³/s
Working static pressure	384 Pa
Air density	1.204 kg/m³
Power	147.0 W
Fan control - RPM	2668 rpm
Current	0.65 A
SFP	1.087 kW/m³/s
Control voltage	230.0 V
Supply voltage	230 V

Sound power level		63	125	250	500	1k	2k	4k	8k	Total
Inlet	dB(A)	55	61	66	63	63	60	53	47	70
Outlet	dB(A)	53	57	62	62	62	61	54	45	68
Surrounding	dB(A)	25	26	39	41	45	43	37	29	49
Sound pressure level at 3m (20m² Sabine)	dB(A)	-	-	-	-	-	-	-	-	42
Sound pressure level at 3m free field	dB(A)	-	-	-	-	-	-	-	-	28

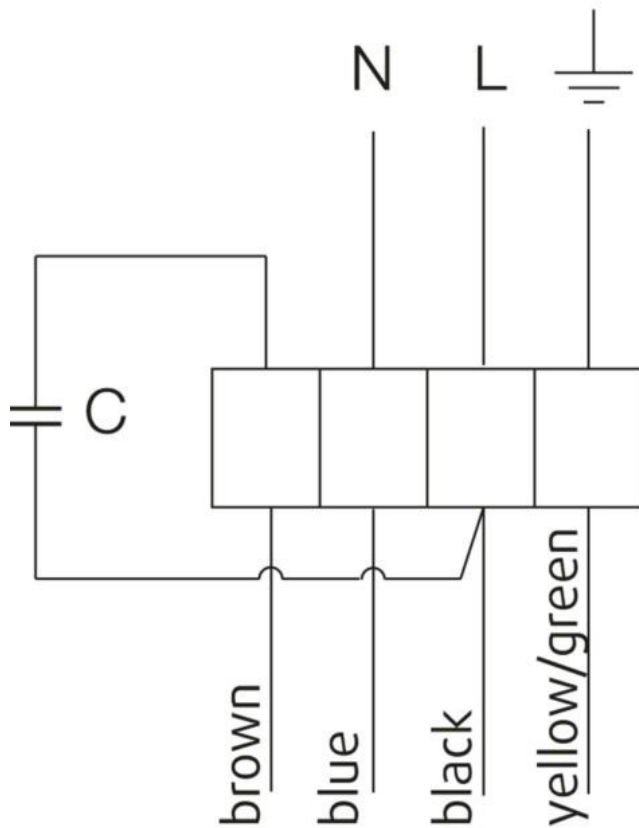
Dimension



$\varnothing A$	$\varnothing B$	C	D	E	F
199	336	30	174	27	231

Wiring

230V 1~



U1 = blue = blau

U2 = black = schwarz

Z = brown = braun

PE = yellow/green = grün-gelb

Ecodesign

Product	
Trade name	Systemair
Product name	K 200 L Sileo
Ecodesign	
ErP compliance	2018
Unit category	NRVU
Drive	External MSD or VSD
Unit type	UVU
Heat recovery type	None
Temperature ratio (UVU)	Not applicable
qv nom	0.135 m ³ /s
P nom	0.147 kW
Ps nom	384 Pa
Fan efficiency	35.3 %
External Leakage	0 %
Sound power level LWA	49 dB(A)

Accessories

- FRQ5S-E-6A (37421)
- REE 1 Speed control (5314)
- RETP 6 Temp/Pressure regulator (32293)
- REV-3POL/03-7,5kW R/Y (33978)
- VKK-200 Back draft damper (1626)
- DTV500A (96807)
- HR1 Room Humidistat (215150)
- Presence detector/IR24-P (6995)
- VBF 200 Water heating battery (1732)
- CB 200-3,0 230V/1 Duct heater (5370)
- CB 200-5,0 400V/2 Duct heater (5371)
- CBMF 200-3,0 230V/1 Duct heater (12245)
- CWK 200-3-2,5 Duct cooler,circ (30023)
- FGR 200 Filter cassette (1812)
- LDC 200-300 Silencer (53369)
- LDC 200-900 Silencer (5195)
- VBC 200-2 Water heating batt (5459)
- VK-20 Louvre shutter (5639)
- RE 1,5 Speed control (5000)
- REPT 6 Digital regulator (5698)
- REU 1.5 Speed control (5004)
- SG 200 Protection guard (5609)
- CO2RT-R-D Transmitter (6993)
- FRQS-E-6A (37419)
- IGK-200 Wall Grid (1633)
- RT 0-30 Room Thermostat (5151)
- CB 200-2,1 230V/1 Duct heater (5384)
- CB 200-3,0 400V/2 Duct heater (5294)
- CBM 200-5,0 400V/2 Duct heater (5483)
- CBMF 200-5,0 400V/2 Duct heater (12246)
- FFR 200 Filter cassette (1773)
- FK 200 Fast clamp (1611)
- LDC 200-600 Silencer (5194)
- RSK-200 Back draft damper (5602)
- VBC 200-3 Water heating batt (9841)

Documents

- Fans_Operating and Maintenance_instr_202341_CE_multilingual.pdf
- K fan mounting.wmv