

KVK Slim 400 EC

Centrifugal circular duct fan

Item Number: 92156

Variant: 230V 1~ 50/60Hz



- Slim design, easy to install
- Easy maintenance, service cover
- Low sound level, insulated cover
- High efficiency and low SFP in a real working point
- Potentiometer included, possible to speed control 0-100%
- Simple to install, mounting brackets included
- Integrated motor protection
- Aluzinc casing, C4 corrosion class

KVK Slim is a box fan with circular duct connections. The lid is insulated to keep a low sound level. The fan can be installed in any position. The casing is manufactured from Aluzinc in corrosion class C4.

KVK Slim EC is delivered with integrated motor protection and pre-wired potentiometer (0-10V) that allows you to easily find the desired working point. The fan can be demand controlled via sensors for CO₂, temperature, humidity, presence indication and VAV.

Size 315-500 also offers possibility to communication via Modbus. The FK mounting clamp (accessory) facilitates easy installation and removal and prevents the transfer of vibration to the duct.



Technical parameters

Nominal data		
Voltage (Nominal)	230	V
Frequency	50; 60	Hz
Phase(s)	1~	
Input power	536	W
Input current	2.35	A
Impeller speed	1,832	r.p.m.
Air flow	max 1.124	m ³ /s
Temperature of transported air	max 60	°C
Max temperature of transported air, when speed controlled	60	°C

Sound data

Sound pressure level at 3m (20m ² Sabin)	56 dB(A)
---	----------

Protection/Classification

Enclosure class, motor	IP55
------------------------	------

Insulation class	F
------------------	---

Data according to ErP

ErP ready	ErP 2018
-----------	----------

Dimensions and weights

Duct dimension; Circular, inlet	400 mm
---------------------------------	--------

Duct dimension; Circular, outlet	400 mm
----------------------------------	--------

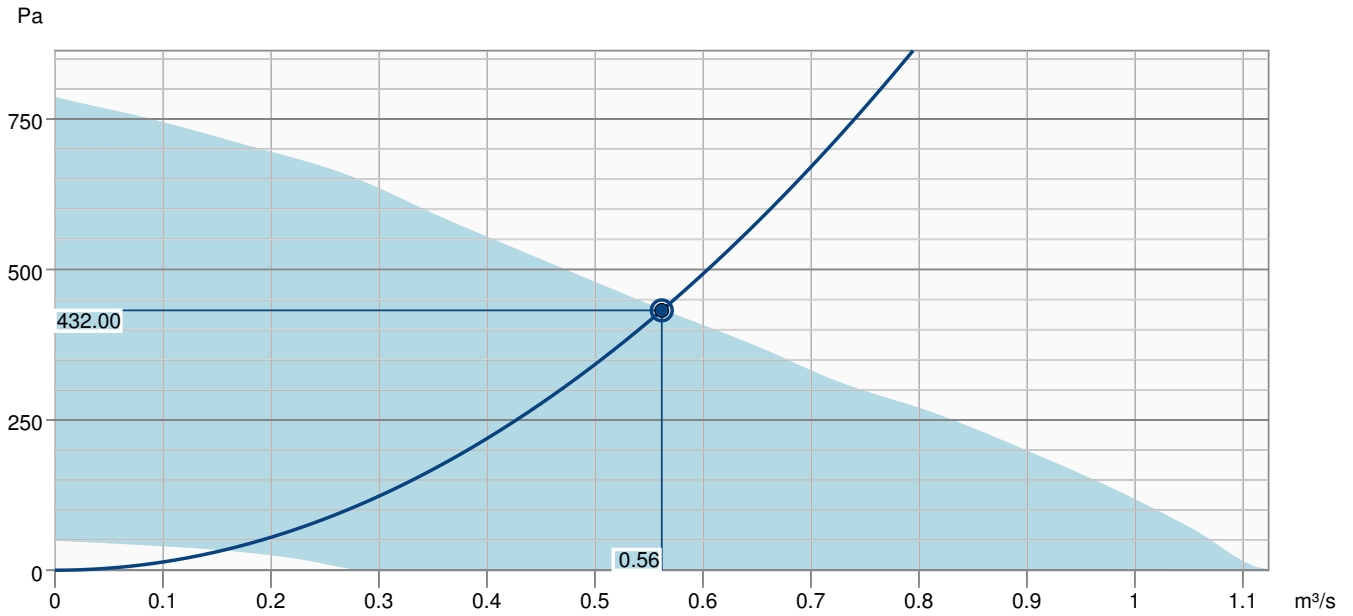
Weight	34.333 kg
--------	-----------

Others

Duct connection type	Circular
----------------------	----------

Motor type	EC
------------	----

Performance curve

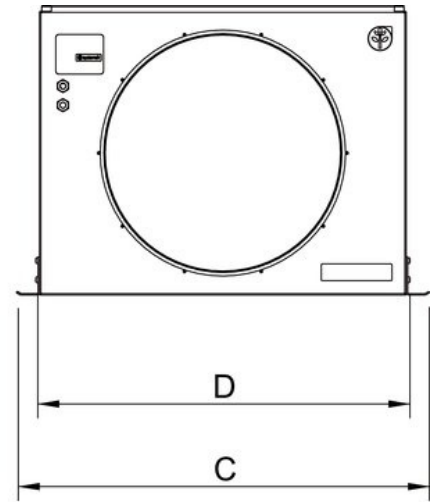
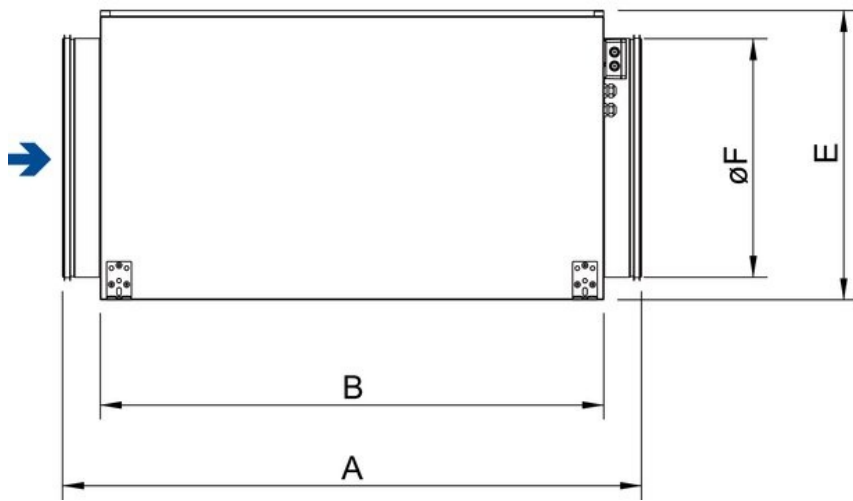


Hydraulic data

Required air flow	0.56 m³/s
Required static pressure	432 Pa
Working air flow	0.56 m³/s
Working static pressure	432 Pa
Air density	1.204 kg/m³
Power	519.9 W
Fan control - RPM	1832 rpm
Current	2.27 A
SFP	0.925 kW/m³/s
Control voltage	10.0 V
Supply voltage	230 V

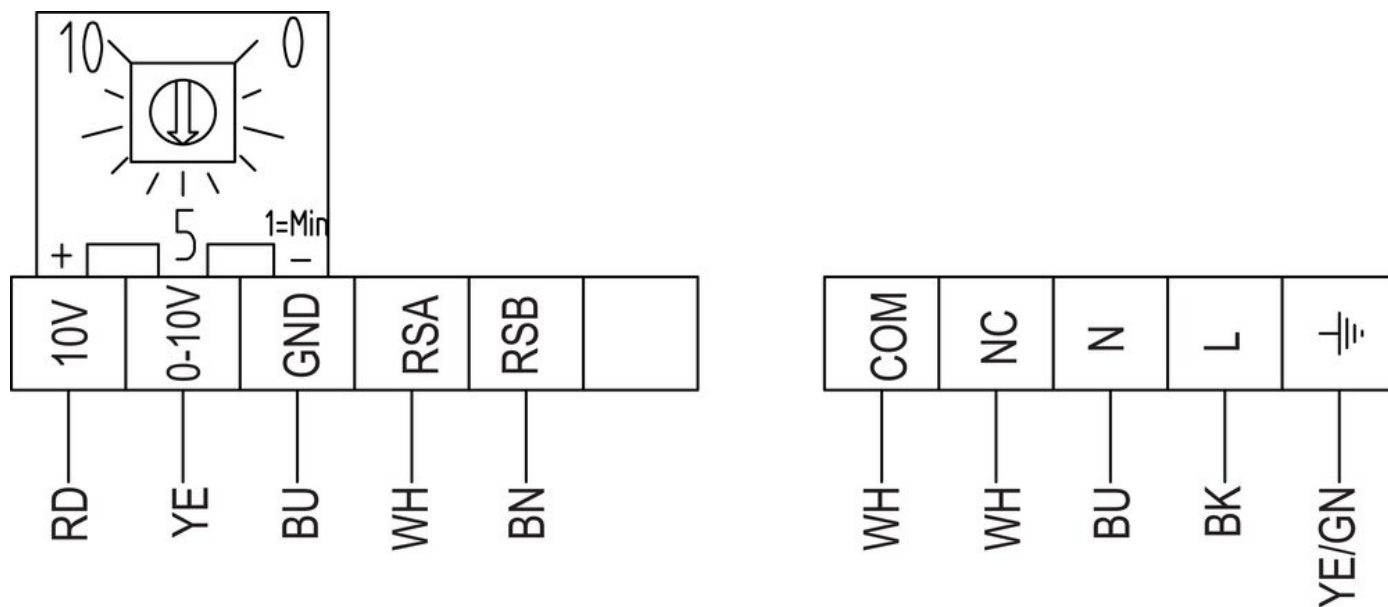
Sound power level		63	125	250	500	1k	2k	4k	8k	Total
Inlet	dB(A)	56	64	72	67	64	62	58	51	74
Outlet	dB(A)	57	67	73	67	67	63	59	51	76
Surrounding	dB(A)	44	52	61	56	53	49	46	39	64
Sound pressure level at 3m (20m² Sabine)	dB(A)	-	-	-	-	-	-	-	-	57
Sound pressure level at 3m free field	dB(A)	-	-	-	-	-	-	-	-	43

Dimension



KVK SLIM	A	B	C	D	E	øF
400 EC	1001	842	770	666	459	400

Wiring



RD Red

YE Yellow

BU Blue

WH White

GN Green

BN Brown

BK Black

Ecodesign

Product	
Trade name	Systemair
Product name	KVK Slim 400 EC
Ecodesign	
ErP compliance	2018
Unit category	NRVU
Drive	Integrated VSD
Unit type	UVU
Heat recovery type	None
Temperature ratio (UVU)	Not applicable
qv nom	0.562 m ³ /s
P nom	0.52 kW
Ps nom	432 Pa
Fan efficiency	46.7 %
External Leakage	0.9 %
Sound power level LWA	59 dB(A)

Accessories

- CXE/AVC Modbus (37256)
- EC-Basic-CO2 and temperature (24808)
- EC-Basic-T temperature (24805)
- EC-Selector (9908)
- EC-Vent Room Unit (3018)
- MTP 20, on/off, 3-step (310220)
- PCA 1000D2 Pressure controller (76739)
- S-5EC/FRQ (76738)
- VKK-400 Back draft damper (1629)
- Presence detector/IR24-P (6995)
- CB 400-12,0 400V/3 Duct heater (5393)
- CB 400-9,0 400V/3 Duct heater (5392)
- CWK 400-3-2,5 Duct cooler,circ (30026)
- FGR 400 Filter cassette (1823)
- LDC 400-900 Silencer (5198)
- VBC 400-2 Water heating batt (5462)
- VBF 400 Water heating battery (1736)
- DMD-C Pressure controller (15793)
- EC-Basic-H humidity (24807)
- EC-Basic-U universal 0-10V (24806)
- EC-Vent control board (3115)
- MTP 10, 10K, Speed control (32731)
- MTV-1/010 Controller 0..10V+ (30650)
- REV-3POL/03 ON/OFF (33978)
- SG 400 Protection guard (5613)
- CO2RT-R-D Transmitter (6993)
- RT 0-30 Room Thermostat (5151)
- CB 400-6,0 400V/2 Duct heater (5391)
- CBM 400-9,0 400V/3 Duct heater (5487)
- FFR 400 Filter cassette (1783)
- FK 400 Fast clamp (1615)
- RSK-400 Back draft dmp. (9973)
- VBC 400-3 Water heating batt (9845)
- VK-40 Louvre shutter (5643)

Documents

- KVK_SILENT_SLIM_OPERATING_MAINTENANCE_145899_CE_EN_A007.PDF
- MODBUS LITE V5.01 parameter specification.pdf