

KVK Slim 355 EC

Centrifugal circular duct fan

Item Number: 92155

Variant: 230V 1~ 50/60Hz



- Slim design, easy to install
- Easy maintenance, service cover
- Low sound level, insulated cover
- High efficiency and low SFP in a real working point
- Potentiometer included, possible to speed control 0-100%
- Simple to install, mounting brackets included
- Integrated motor protection
- Aluzinc casing, C4 corrosion class

KVK Slim is a box fan with circular duct connections. The lid is insulated to keep a low sound level. The fan can be installed in any position. The casing is manufactured from Aluzinc in corrosion class C4.

KVK Slim EC is delivered with integrated motor protection and pre-wired potentiometer (0-10V) that allows you to easily find the desired working point. The fan can be demand controlled via sensors for CO₂, temperature, humidity, presence indication and VAV.

Size 315-500 also offers possibility to communication via Modbus. The FK mounting clamp (accessory) facilitates easy installation and removal and prevents the transfer of vibration to the duct.



Technical parameters

Nominal data		
Voltage (Nominal)	230	V
Frequency	50; 60	Hz
Phase(s)	1~	
Input power	536	W
Input current	2.37	A
Impeller speed	1,887	r.p.m.
Air flow	max 1.031	m ³ /s
Temperature of transported air	max 60	°C
Max temperature of transported air, when speed controlled	60	°C

Sound data

Sound pressure level at 3m (20m ² Sabin)	59 dB(A)
---	----------

Protection/Classification

Enclosure class, motor	IP55
------------------------	------

Insulation class	F
------------------	---

Data according to ErP

ErP ready	ErP 2018
-----------	----------

Dimensions and weights

Duct dimension; Circular, inlet	355 mm
---------------------------------	--------

Duct dimension; Circular, outlet	355 mm
----------------------------------	--------

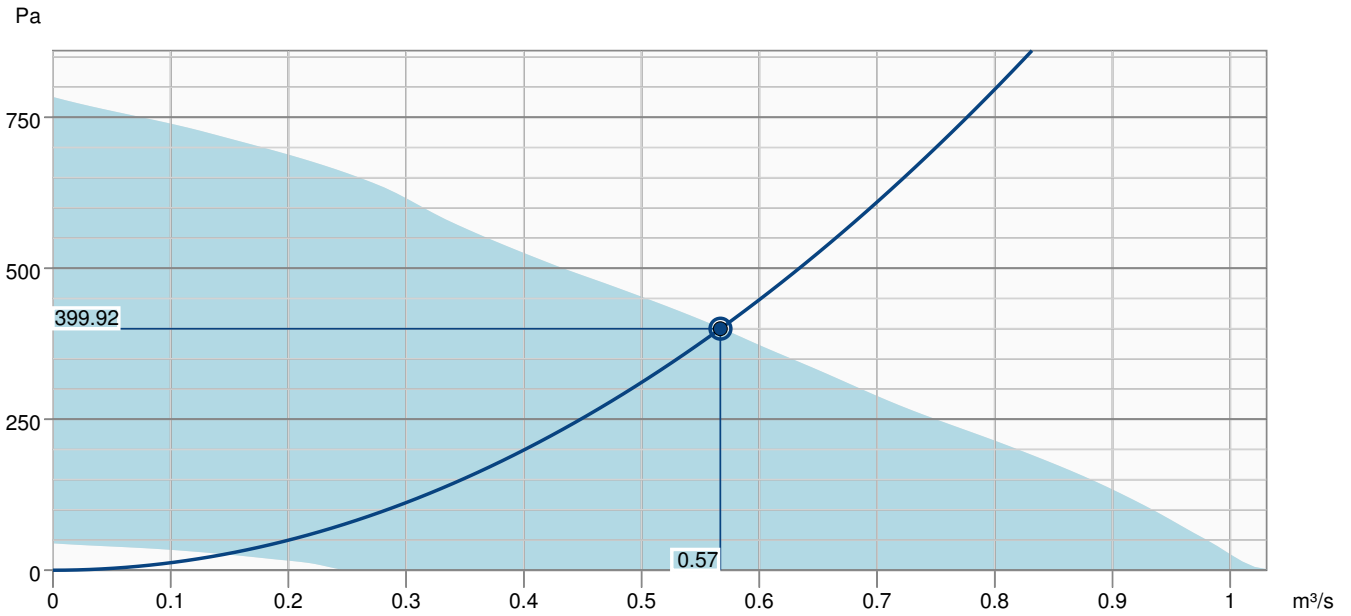
Weight	34.333 kg
--------	-----------

Others

Duct connection type	Circular
----------------------	----------

Motor type	EC
------------	----

Performance curve

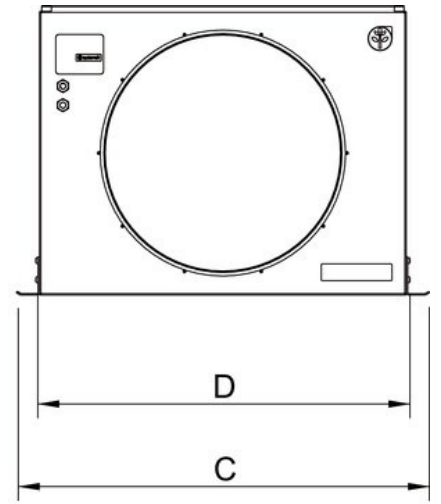
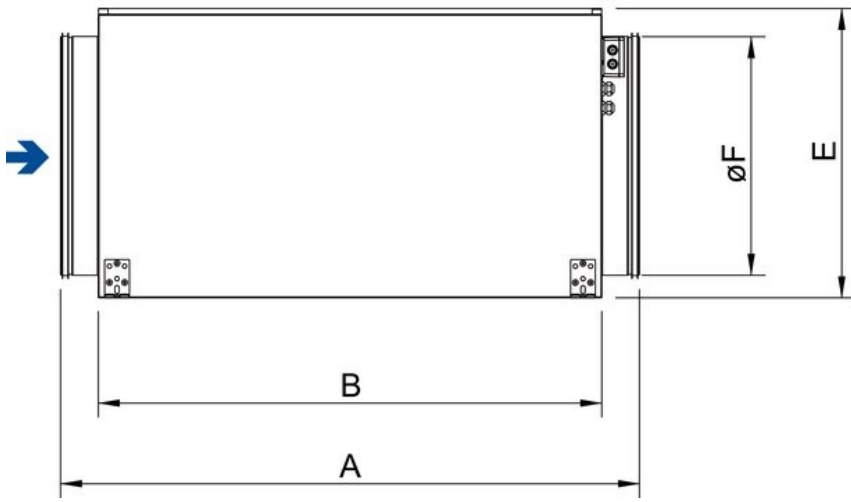


Hydraulic data

Required air flow	0.57 m³/s
Required static pressure	400 Pa
Working air flow	0.57 m³/s
Working static pressure	400 Pa
Air density	1.204 kg/m³
Power	528.7 W
Fan control - RPM	1851 rpm
Current	2.31 A
SFP	0.933 kW/m³/s
Control voltage	10.0 V
Supply voltage	230 V

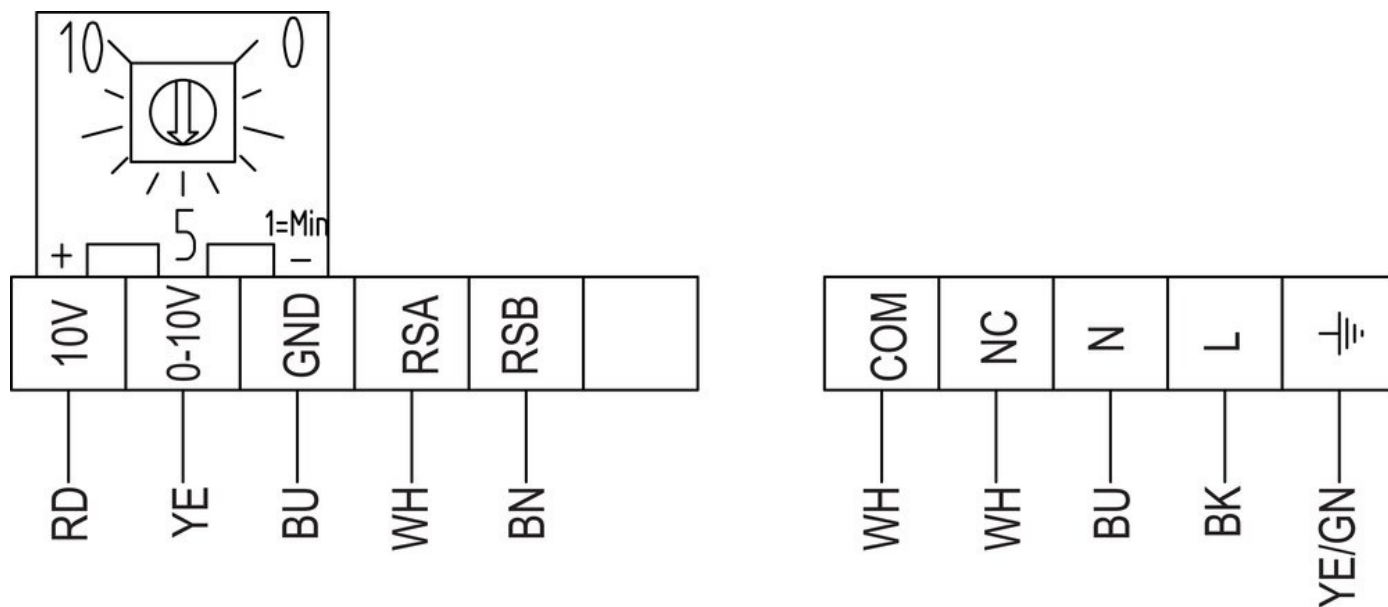
Sound power level		63	125	250	500	1k	2k	4k	8k	Total
Inlet	dB(A)	57	70	77	69	65	62	58	51	78
Outlet	dB(A)	54	68	72	65	66	62	58	50	75
Surrounding	dB(A)	43	56	64	57	53	48	49	39	66
Sound pressure level at 3m (20m² Sabine)	dB(A)	-	-	-	-	-	-	-	-	59
Sound pressure level at 3m free field	dB(A)	-	-	-	-	-	-	-	-	45

Dimension



KVK SLIM	A	B	C	D	E	øF
355 EC	976	842	770	666	459	355

Wiring



RD Red

YE Yellow

BU Blue

WH White

GN Green

BN Brown

BK Black

Ecodesign

Product	
Trade name	Systemair
Product name	KVK Slim 355 EC
Ecodesign	
ErP compliance	2018
Unit category	NRVU
Drive	Integrated VSD
Unit type	UVU
Heat recovery type	None
Temperature ratio (UVU)	Not applicable
qv nom	0.567 m ³ /s
P nom	0.529 kW
Ps nom	400 Pa
Fan efficiency	42.9 %
External Leakage	0.9 %
Sound power level LWA	61 dB(A)

Accessories

- CXE/AVC Modbus (37256)
- EC-Basic-CO2 and temperature (24808)
- EC-Basic-T temperature (24805)
- EC-Selector (9908)
- EC-Vent Room Unit (3018)
- MTP 10, 10K, Speed control (32731)
- MTV-1/010 Controller 0..10V+ (30650)
- REV-3POL/03 ON/OFF (33978)
- SG 355 Protection guard (5612)
- Presence detector/IR24-P (6995)
- CB 355-12,0 400V/3 Duct heater (5390)
- CB 355-9,0 400V/3 Duct heater (5389)
- FGR 355 Filter cassette (1821)
- LDC 355-900 Silencer (5399)
- VK-35 Louvre shutter (5642)
- DMD-C Pressure controller (15793)
- EC-Basic-H humidity (24807)
- EC-Basic-U universal 0-10V (24806)
- EC-Vent control board (3115)
- FFR 355 Filter cassette (1782)
- MTP 20, on/off, 3-step (310220)
- PCA 1000D2 Pressure controller (76739)
- S-5EC/FRQ (76738)
- CO2RT-R-D Transmitter (6993)
- RT 0-30 Room Thermostat (5151)
- CB 355-6,0 400V/2 Duct heater (5388)
- CBM 355-9,0 400V/3 Duct heater (5486)
- FK 355 Fast clamp (1614)
- RSK-355 Back draft dmp. (9972)

Documents

- KVK_SILENT_SLIM_OPERATING_MAINTENANCE_145899_CE_EN_A007.PDF
- MODBUS LITE V5.01 parameter specification.pdf