

KVK Slim 315 EC

Centrifugal circular duct fan

Item Number: 92154

Variant: 230V 1~ 50/60Hz



Slim design, easy to install
 Easy maintenance, service cover
 Low sound level, insulated cover
 High efficiency and low SFP in a real working point
 Potentiometer included, possible to speed control 0-100%
 Simple to install, mounting brackets included
 Integrated motor protection
 Aluzinc casing, C4 corrosion class
 KVK Slim is a box fan with circular duct connections. The lid is insulated to keep a low sound level. The fan can be installed in any position. The casing is manufactured from Aluzinc in corrosion class C4.
 KVK Slim EC is delivered with a pre-wired potentiometer (0-10V) that allows you to easily find the desired working point.
 The FK mounting clamp (accessory) facilitates easy installation and removal and prevents the transfer of vibration to the duct.



Technical parameters

Nominal data		
Voltage (Nominal)	230	V
Frequency	50; 60	Hz
Phase(s)	1~	
Input power	533	W
Input current	2.34	A
Impeller speed	2,400	r.p.m.
Air flow	max 0.849	m ³ /s
Temperature of transported air	max 60	°C
Max temperature of transported air, when speed controlled	60	°C

Sound data

Sound pressure level at 3m (20m ² Sabin)	61 dB(A)
---	----------

Protection/Classification

Enclosure class, motor	IP55
------------------------	------

Insulation class	F
------------------	---

Data according to ErP

ErP ready	ErP 2018
-----------	----------

Dimensions and weights

Duct dimension; Circular, inlet	315 mm
---------------------------------	--------

Duct dimension; Circular, outlet	315 mm
----------------------------------	--------

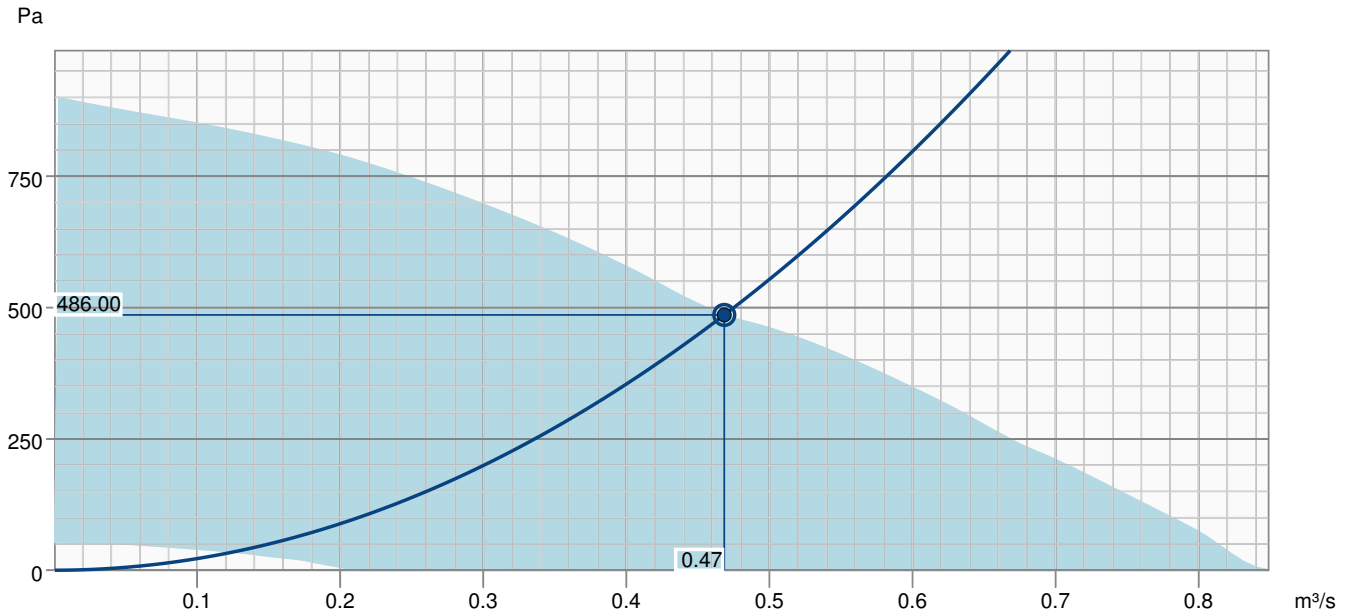
Weight	29.333 kg
--------	-----------

Others

Duct connection type	Circular
----------------------	----------

Motor type	EC
------------	----

Performance curve

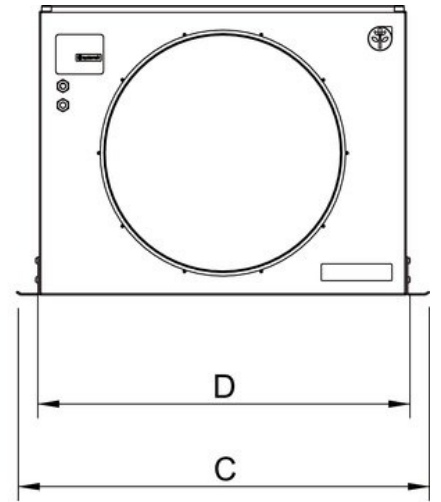
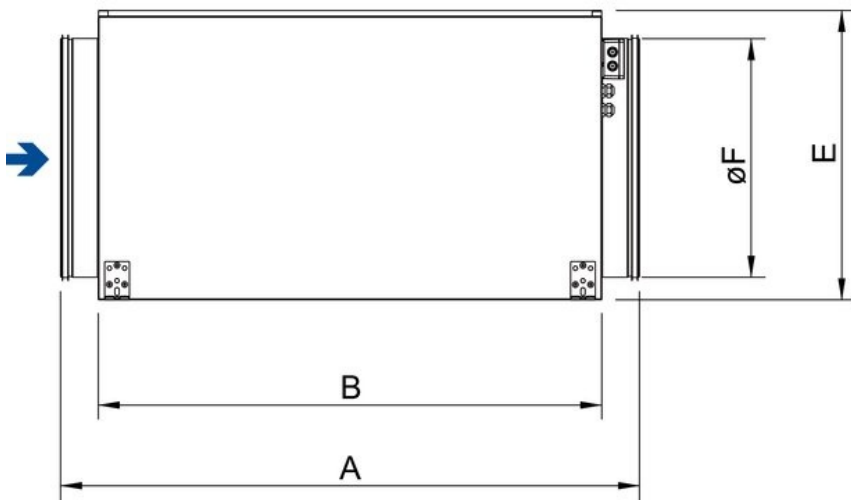


Hydraulic data

Required air flow	0.47 m³/s
Required static pressure	486 Pa
Working air flow	0.47 m³/s
Working static pressure	486 Pa
Air density	1.204 kg/m³
Power	515.1 W
Fan control - RPM	2289 rpm
Current	2.27 A
SFP	1.100 kW/m³/s
Control voltage	10.0 V
Supply voltage	230 V

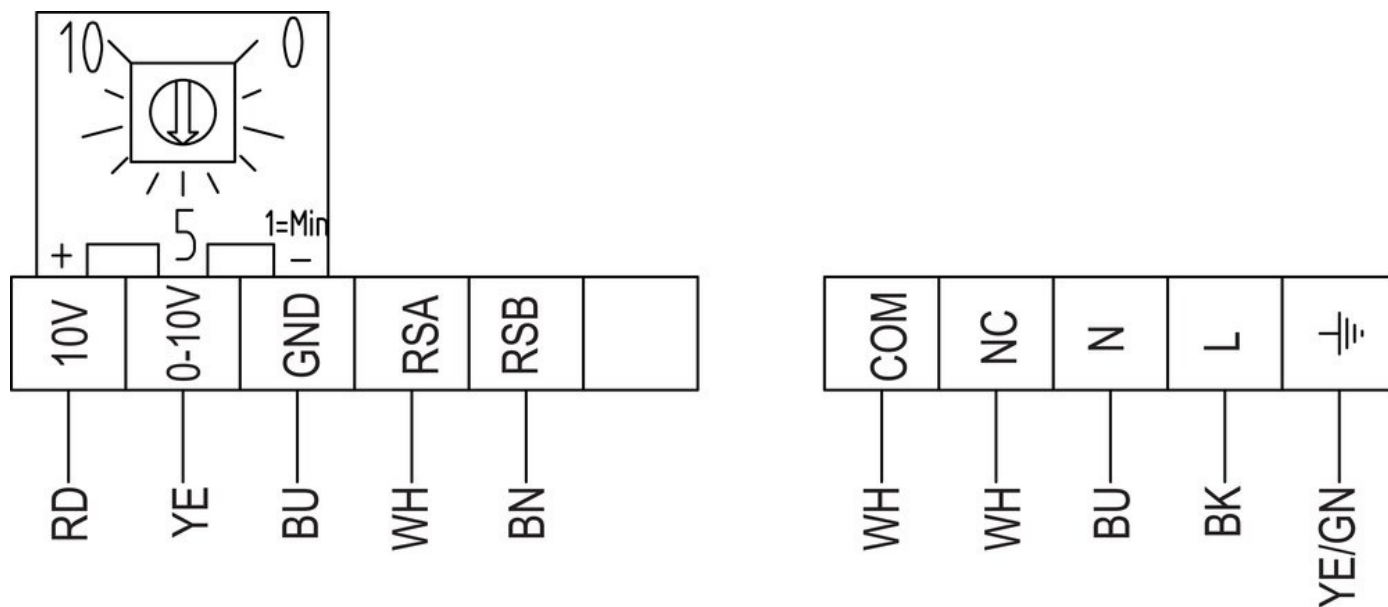
Sound power level		63	125	250	500	1k	2k	4k	8k	Total
Inlet	dB(A)	61	69	78	71	68	65	61	55	80
Outlet	dB(A)	60	70	77	71	71	68	62	54	80
Surrounding	dB(A)	45	52	67	60	55	48	40	31	68
Sound pressure level at 3m (20m² Sabine)	dB(A)	-	-	-	-	-	-	-	-	61
Sound pressure level at 3m free field	dB(A)	-	-	-	-	-	-	-	-	47

Dimension



KVK SLIM	A	B	C	D	E	øF
315 EC	866	746	694	590	414	315

Wiring



RD Red

YE Yellow

BU Blue

WH White

GN Green

BN Brown

BK Black

Ecodesign

Product	
Trade name	Systemair
Product name	KVK Slim 315 EC
Ecodesign	
ErP compliance	2018
Unit category	NRVU
Drive	Integrated VSD
Unit type	UVU
Heat recovery type	None
Temperature ratio (UVU)	Not applicable
qv nom	0.468 m ³ /s
P nom	0.515 kW
Ps nom	486 Pa
Fan efficiency	44.2 %
External Leakage	1 %
Sound power level LWA	62 dB(A)

Accessories

- CXE/AVC Modbus (37256)
- EC-Basic-CO2 and temperature (24808)
- EC-Basic-T temperature (24805)
- EC-Selector (9908)
- EC-Vent Room Unit (3018)
- MTP 20, on/off, 3-step (310220)
- PCA 1000D2 Pressure controller (76739)
- S-5EC/FRQ (76738)
- VKK-315 Back draft damper (1628)
- CO2RT-R-D Transmitter (6993)
- RT 0-30 Room Thermostat (5151)
- CB 315-3,0 230V/1 Duct heater (5386)
- CBM 315-9,0 400V/3 Duct heater (5485)
- FFR 315 Filter cassette (1779)
- FK 315 Fast clamp (1613)
- RSK-315 Back draft damper (5604)
- VBC 315-3 Water heating batt (9844)
- VK-30 Louvre shutter (5641)
- DMD-C Pressure controller (15793)
- EC-Basic-H humidity (24807)
- EC-Basic-U universal 0-10V (24806)
- EC-Vent control board (3115)
- MTP 10, 10K, Speed control (32731)
- MTV-1/010 Controller 0..10V+ (30650)
- REV-3POL/03 ON/OFF (33978)
- SG 315 Protection guard (5611)
- CB 315-6,0 400V/2 Duct heater (5374)
- Presence detector/IR24-P (6995)
- CB 315-12,0 400V/3 Duct heater (5387)
- CB 315-9,0 400V/3 Duct heater (5375)
- CWK 315-3-2,5 Duct cooler,circ (30025)
- FGR 315 Filter cassette (1818)
- LDC 315-900 Silencer (5197)
- VBC 315-2 Water heating batt (5461)
- VBF 315 Water heating battery (1734)

Documents

- KVK_SILENT_SLIM_OPERATING_MAINTENANCE_145899_CE_EN_A007.PDF
- MODBUS LITE V5.01 parameter specification.pdf