

KVK DUO 250 Circular duct fan

Systemair Acoustic twin fan KVKDUO250

Item Number: 27793

Variant: 230V 1~ 50Hz



- Speed-controllable
- Integral thermal contacts
- Low noise level
- Twin fan

KVK DUO models have double inlet centrifugal fans with forward-curved impellers and maintenance-free external rotor motors. To protect the motors from overheating the fans have integral thermal contacts with leads for connection to a motor protection device.

The fans are easy to connect to spiral ducts using FK mounting clamps.

The KVK DUO models are manufactured from galvanised sheet steel and are thermally and acoustically insulated with a 50 mm layer of mineral wool. Internal surfaces are protected with perforated galvanised sheet steel.



Technical parameters

Norminal data		
Voltage (Nominal)	230	V
Frequency	50	Hz
Phase(s)	1~	
Input power	266	W
Input current	1.18	A
Impeller speed	1,846	r.p.m.
Air flow	max 0.296	m ³ /s
Min. Static back pressure	30	Pa
Capacitance of capacitor	4	µF
Temperature of transported air	max 41	°C
Max temperature of transported air, when speed controlled	41	°C
Sound data		
Sound pressure level at 3m (20m ² Sabin)	40	dB(A)

Protection/Classification

Enclosure class	IP54
Enclosure class, motor	IP44
Insulation class	F

Data according to ErP

Energy class, Basic unit	F
Energy class, Local demand	C
ErP ready	ErP 2016; ErP 2018

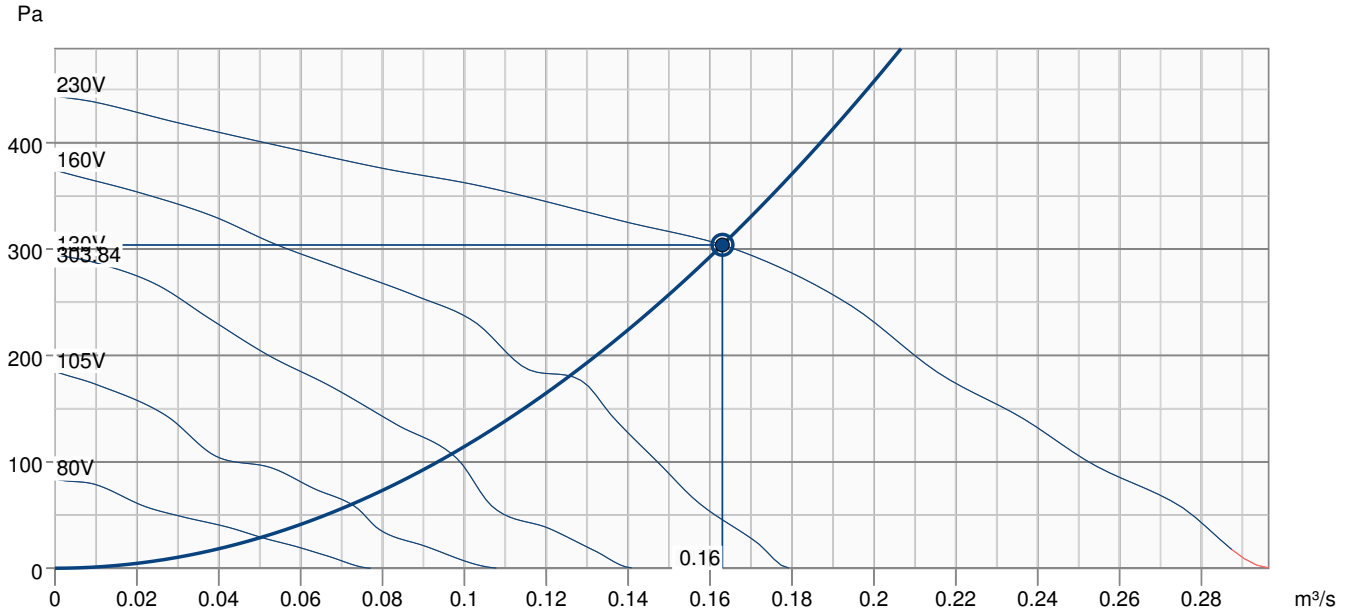
Dimensions and weights

Duct dimension; Circular, inlet	250	mm
Duct dimension; Circular, outlet	250	mm
Weight	39.8	kg

Others

Duct connection type	Circular
Motor type	AC

Performance curve

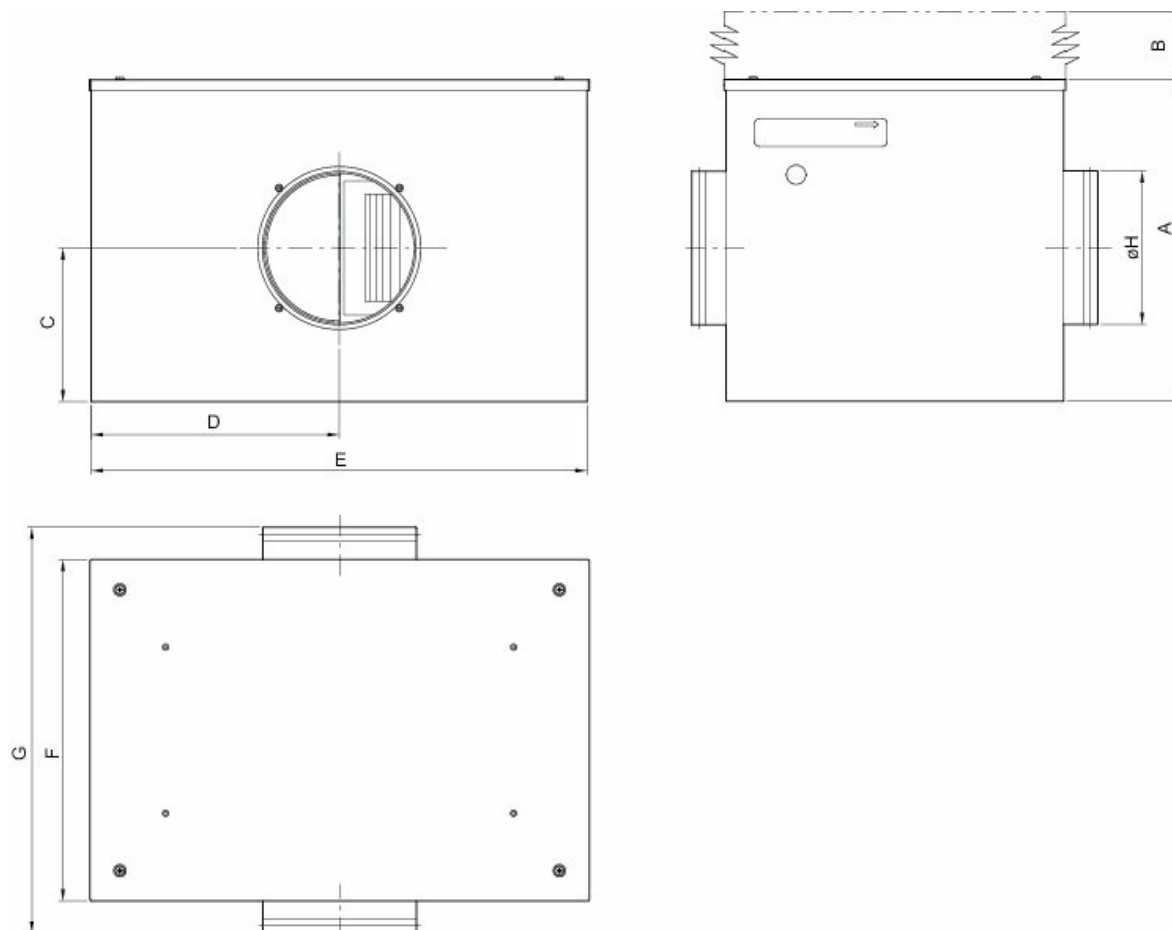


Hydraulic data

Required air flow	0.16 m³/s
Required static pressure	304 Pa
Working air flow	0.16 m³/s
Working static pressure	304 Pa
Air density	1.204 kg/m³
Power	177.5 W
Fan control - RPM	2506 rpm
Current	0.78 A
SFP	1.089 kW/m³/s
Control voltage	230.0 V
Supply voltage	230 V

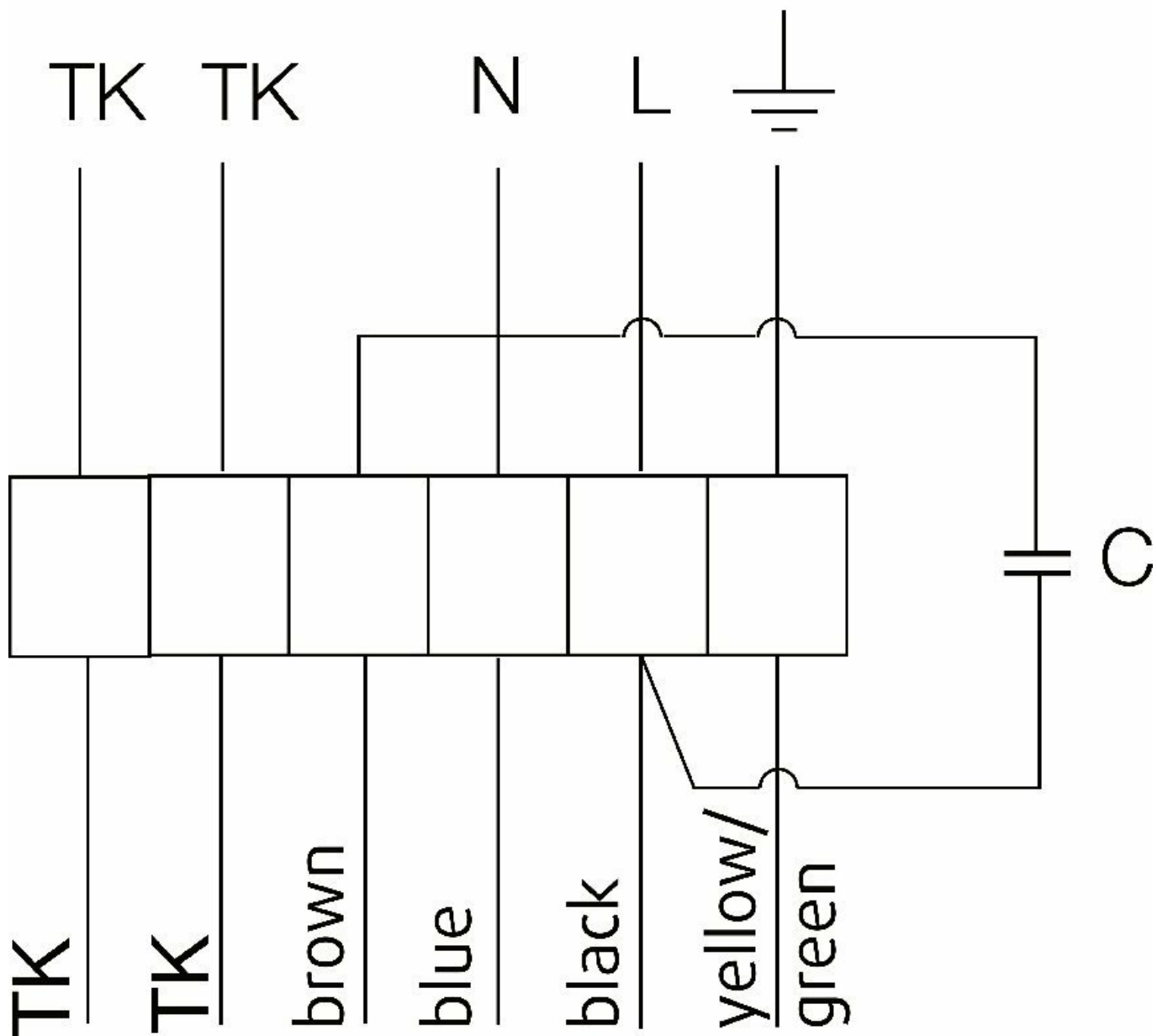
Sound power level		63	125	250	500	1k	2k	4k	8k	Total
Inlet	dB(A)	60	59	62	55	52	51	46	39	66
Outlet	dB(A)	59	69	66	68	70	69	65	59	76
Surrounding	dB(A)	37	35	44	40	37	38	32	23	47
Sound pressure level at 3m (20m² Sabine)	dB(A)	-	-	-	-	-	-	-	-	40
Sound pressure level at 3m free field	dB(A)	-	-	-	-	-	-	-	-	26

Dimension



KVK DUO	A	B	C	D	E	F	G	øH
125	333	275	165	255	510	350	425	125
160	333	275	165	255	510	350	425	160
200	386	325	190	300	600	400	475	200
250	460	400	207	360	720	500	615	250

230V 1~



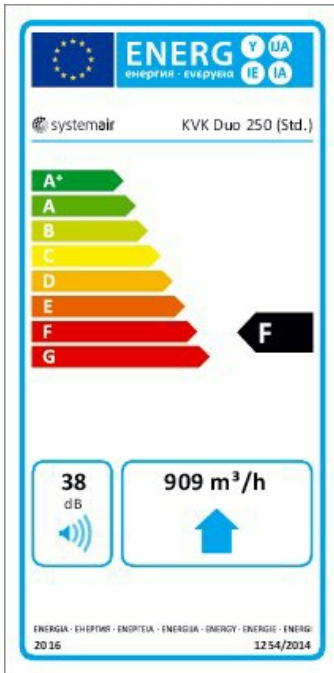
Ecodesign

Product		
Trade name	Systemair	
Product name	KVK DUO 250 Circular duct fan	
Basic unit		
ErP compliance	2016	
SEC Average	-9.8	kWh/(m ² .a)
SEC Cold	-26.2	kWh/(m ² .a)
SEC Warm	-0.4	kWh/(m ² .a)
SEC Class	F	
Unit category	RVU	
Unit type	UVU	
Drive	External MSD or VSD	
Heat recovery type	None	
Temperature ratio (UVU)	Not applicable	
qv max	907	m ³ /h
P max	231	W
Sound power level LWA	38	dB(A)
qv ref	0.177	m ³ /s
Ps ref	50	Pa
SPI	0.236	W/(m ³ /h)
CTRL	1	
MISC	1.1	
x-value	1.5	
External Leakage	5	%
AEC average	295.1	kWh
AHS Cold	295.1	kWh
AEC warm	295.1	kWh
AHS Average	1,715.2	kWh/a
AHS Cold	3,355.3	kWh/a
AHS Warm	775.6	kWh/a

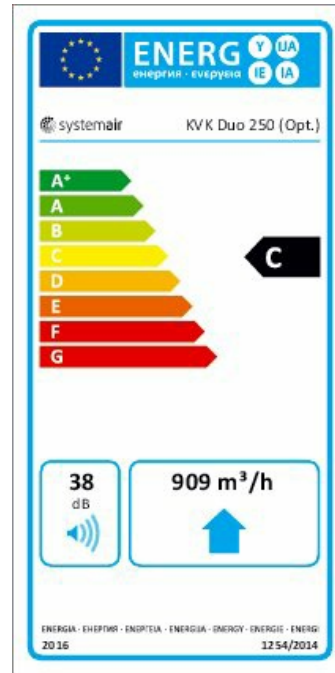
Units with local demand control		
ErP compliance		2018
SEC Average	-24.4	kWh/(m ² .a)
SEC Cold	-51.5	kWh/(m ² .a)
SEC Warm	-8.9	kWh/(m ² .a)
SEC Class		C
Unit category		RVU
Unit type		UVU
Drive		External MSD or VSD
Heat recovery type		None
Temperature ratio (UVU)		Not applicable
qv max	909	m ³ /h
P max	231	W
Sound power level LWA	38	dB(A)
qv ref	0.1767	m ³ /s
Ps ref	50	Pa
SPI	0.236	W/(m ³ /h)
CTRL	0.65	
MISC	1.1	
x-value	1.5	
External Leakage	5	%
AEC average	154.6	kWh
AEC cold	154.6	kWh
AEC warm	154.6	kWh
AHS Average	2,830	kWh/a
AHS Cold	5,536.2	kWh/a
AHS Warm	1,279.7	kWh/a

Energy class label

Energy class, Basic unit



Energy class, Local demand



Accessories

- FFR 250 Filter cassette (1776)
- FK 250 Fast clamp (1612)
- REU 1.5 Speed control (5004)
- RTRE 1,5 Speed control (5008)
- VKK-250 Back draft damper (1627)
- CB 250-6,0 400V/2 Duct heater (5372)
- CWK 250-3-2,5 Duct cooler,circ (30024)
- VBC 250-2 Water heating batt (5460)
- VK-25 Louvre shutter (5640)
- S-ET 10 Motor Protection (5154)
- FGR 250 Filter cassette (1815)
- REE 2 Speed control (5316)
- RSK-250 Back draft damper (5603)
- SG 250 Protection guard (5610)
- CB 250-3,0 230V/1 Duct heater (5385)
- CB 250-9,0 400V/3 Duct heater (5373)
- LDC 250-900 Silencer (5196)
- VBF 250 Water heating battery (1733)
- ACO8A Auto Changeover panel (84291)
- STL 3 Speed controller (84261)

Documents

- Fans_Operating and Maintenance_instr_202341_CE_multilingual.pdf