

KVK DUO 125 Circular duct fan

Centrifugal circular duct fan <125W

Item Number: 5341

Variant: 230V 1~ 50Hz



- Speed-controllable
- Integral thermal contacts
- Low noise level
- Twin fan

KVK DUO models have double inlet centrifugal fans with forward-curved impellers and maintenance-free external rotor motors. To protect the motors from overheating the fans have integral thermal contacts with leads for connection to a motor protection device.

The fans are easy to connect to spiral ducts using FK mounting clamps.

The KVK DUO models are manufactured from galvanised sheet steel and are thermally and acoustically insulated with a 50 mm layer of mineral wool. Internal surfaces are protected with perforated galvanised sheet steel.



Technical parameters

Norminal data		
Voltage (Nominal)	230	V
Frequency	50	Hz
Phase(s)	1~	
Input power	41	W
Input current	0.171	A
Impeller speed	1,724	r.p.m.
Air flow	max 0.0528	m ³ /s
Capacitance of capacitor	1.5	µF
Temperature of transported air	max 65	°C
Max temperature of transported air, when speed controlled	65	°C
Sound data		
Sound pressure level at 3m (20m ² Sabin)	29	dB(A)

Protection/Classification

Enclosure class	IP54
Enclosure class, motor	IP44
Insulation class	B

Data according to ErP

Energy class, Basic unit	E
Energy class, Local demand	C
ErP ready	ErP 2016; ErP 2018

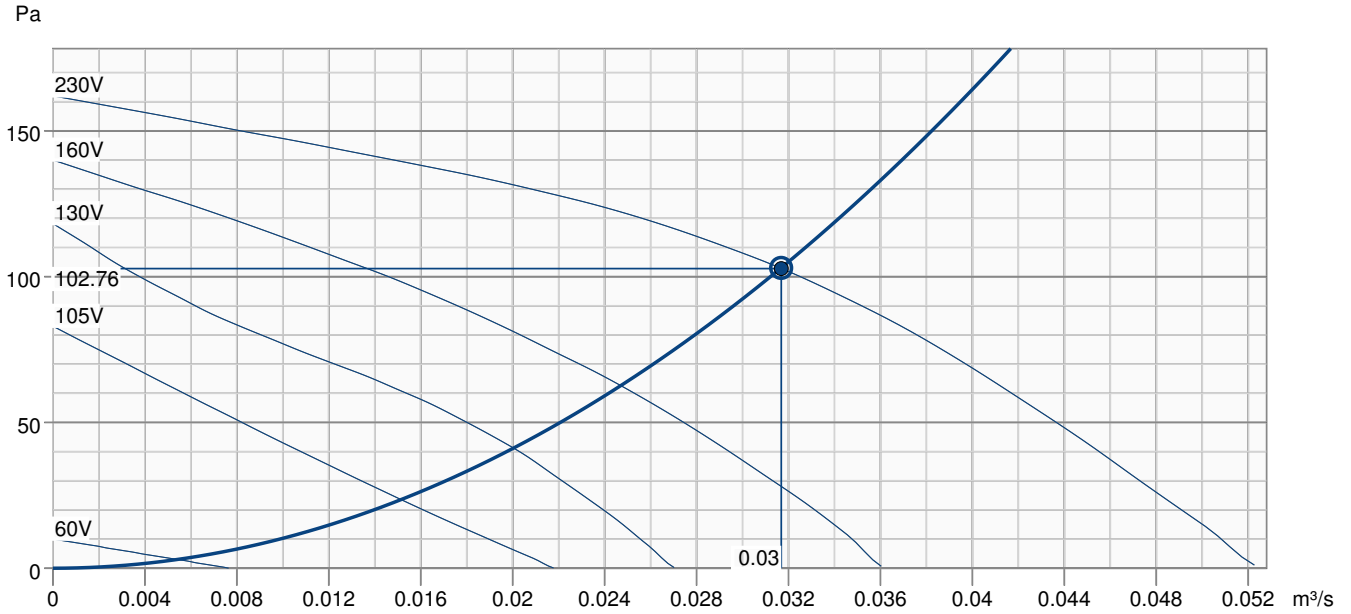
Dimensions and weights

Duct dimension; Circular, inlet	125	mm
Duct dimension; Circular, outlet	125	mm
Weight	17.8	kg

Others

Duct connection type	Circular
Motor type	AC

Performance curve

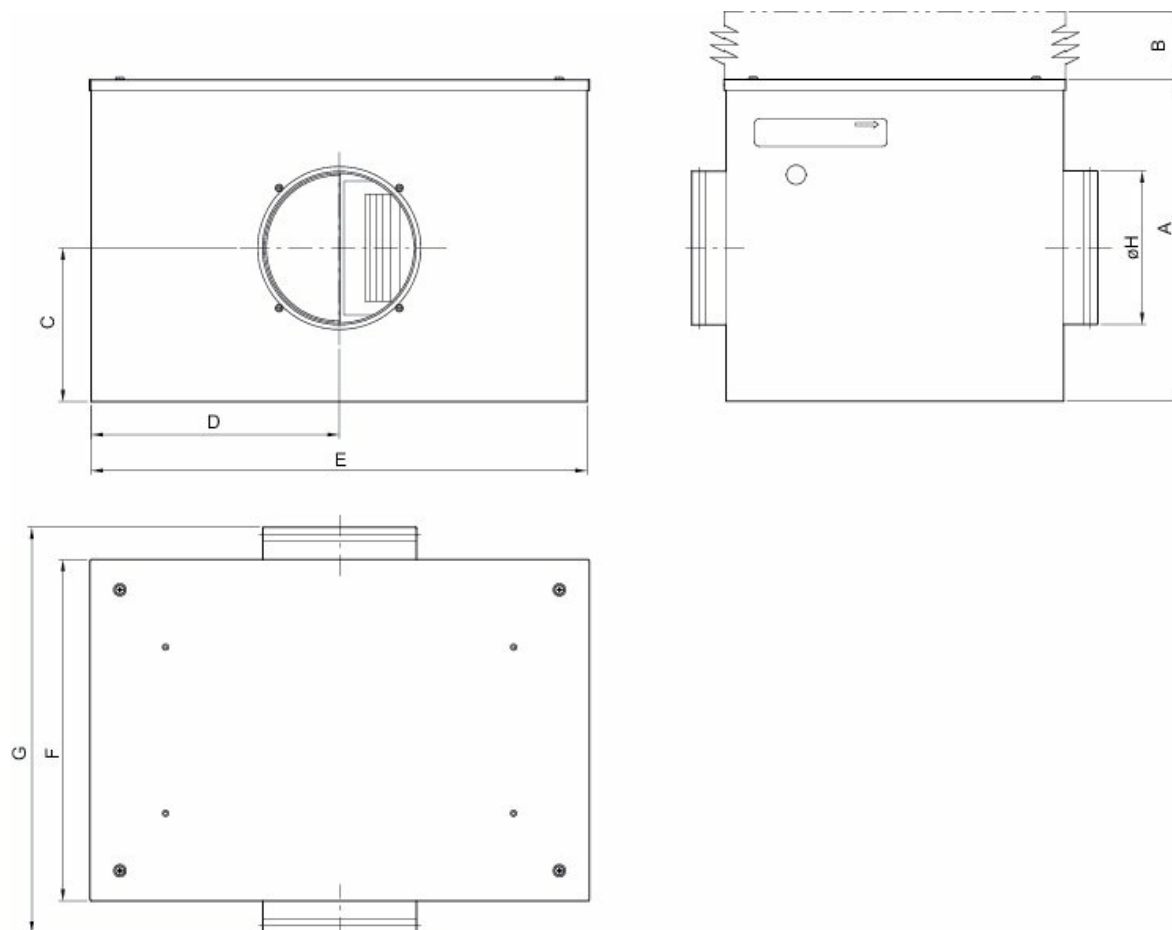


Hydraulic data

Required air flow	0.03 m³/s
Required static pressure	103 Pa
Working air flow	0.03 m³/s
Working static pressure	103 Pa
Air density	1.204 kg/m³
Power	38.8 W
Fan control - RPM	2101 rpm
Current	0.16 A
SFP	1.224 kW/m³/s
Control voltage	230.0 V
Supply voltage	230 V

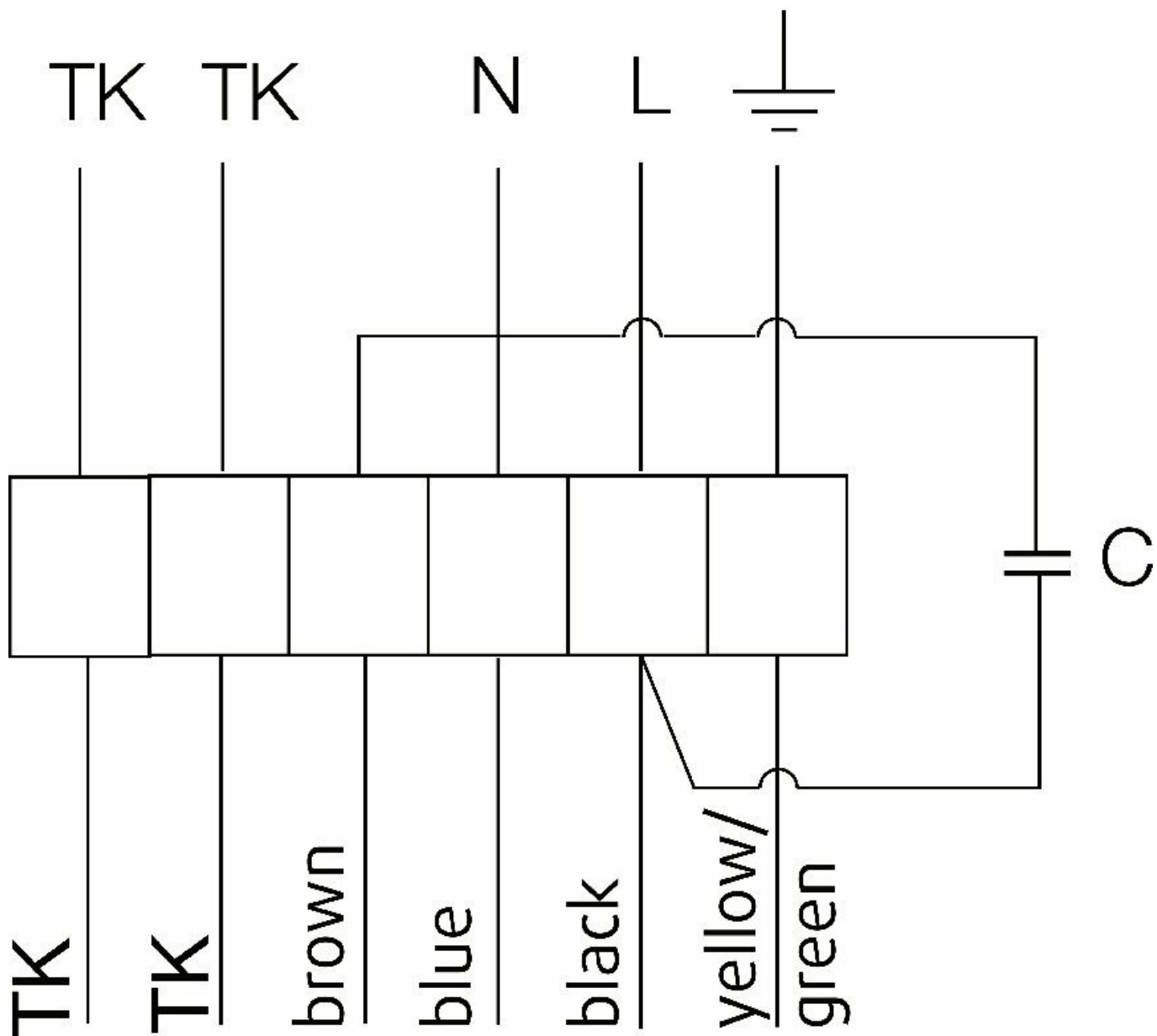
Sound power level		63	125	250	500	1k	2k	4k	8k	Total
Inlet	dB(A)	51	48	41	40	39	33	27	24	53
Outlet	dB(A)	49	56	53	55	53	53	47	41	62
Surrounding	dB(A)	31	31	25	25	26	17	18	19	36
Sound pressure level at 3m (20m² Sabine)	dB(A)	-	-	-	-	-	-	-	-	29
Sound pressure level at 3m free field	dB(A)	-	-	-	-	-	-	-	-	15

Dimension



KVK DUO	A	B	C	D	E	F	G	øH
125	333	275	165	255	510	350	425	125
160	333	275	165	255	510	350	425	160
200	386	325	190	300	600	400	475	200
250	460	400	207	360	720	500	615	250

230V 1~



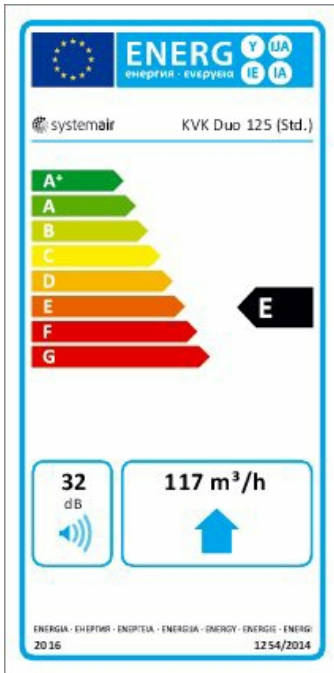
Ecodesign

Product		
Trade name	Systemair	
Product name	KVK DUO 125 Circular duct fan	
Basic unit		
ErP compliance	2016	
SEC Average	-11.1	kWh/(m ² .a)
SEC Cold	-27.5	kWh/(m ² .a)
SEC Warm	-1.7	kWh/(m ² .a)
SEC Class	E	
Unit category	RVU	
Unit type	UVU	
Drive	External MSD or VSD	
Heat recovery type	None	
Temperature ratio (UVU)	Not applicable	
qv max	115	m ³ /h
P max	38	W
Sound power level LWA	32	dB(A)
qv ref	0.023	m ³ /s
Ps ref	50	Pa
SPI	0.192	W/(m ³ /h)
CTRL	1	
MISC	1.1	
x-value	1.5	
External Leakage	5	%
AEC average	240.6	kWh
AHS Cold	240.6	kWh
AEC warm	240.6	kWh
AHS Average	1,715.2	kWh/a
AHS Cold	3,355.3	kWh/a
AHS Warm	775.6	kWh/a

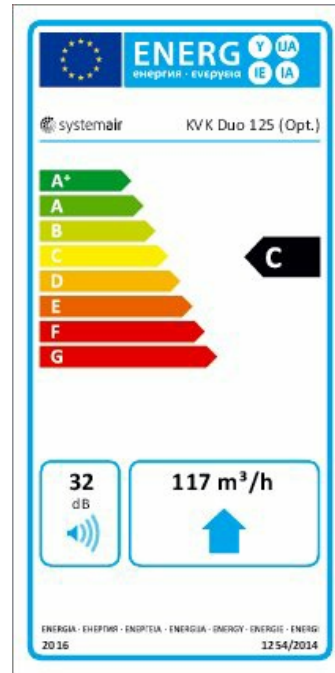
Units with local demand control		
ErP compliance		2018
SEC Average	-25.1	kWh/(m ² .a)
SEC Cold	-52.2	kWh/(m ² .a)
SEC Warm	-9.6	kWh/(m ² .a)
SEC Class		C
Unit category		RVU
Unit type		UVU
Drive		External MSD or VSD
Heat recovery type		None
Temperature ratio (UVU)		Not applicable
qv max	117	m ³ /h
P max	38	W
Sound power level LWA	32	dB(A)
qv ref	0.0227	m ³ /s
Ps ref	50	Pa
SPI	0.192	W/(m ³ /h)
CTRL	0.65	
MISC	1.1	
x-value	1.5	
External Leakage	5	%
AEC average	126.1	kWh
AEC cold	126.1	kWh
AEC warm	126.1	kWh
AHS Average	2,830	kWh/a
AHS Cold	5,536.2	kWh/a
AHS Warm	1,279.7	kWh/a

Energy class label

Energy class, Basic unit



Energy class, Local demand



Accessories

- AWE-SK Motorprotection 2A/230V (5138)
- FGR 125 Filter cassette (1804)
- IGK-125 Wall Grid (1631)
- REU 1.5 Speed control (5004)
- RTRE 1,5 Speed control (5008)
- VKK-125 Back draft damper (1624)
- CB 125-1,2 230V/1 Duct heater (5290)
- CBM 125-1,2 230V/1 Duct heater (5480)
- LDC 125-300 Silencer (53722)
- LDC 125-900 Silencer (5191)
- VBF 125 Water heating battery (1730)
- STL 1.5 Speed controller (84251)
- FFR 125 Filter cassette (1768)
- FK 125 Fast clamp (1608)
- REE 1 Speed control (5314)
- RSK-125 Back draft damper (5598)
- SG 125 Protection guard (5607)
- CB 125-0,6 230V/1 Duct heater (5289)
- CB 125-1,8 230V/1 Duct heater (5377)
- CWK 125-3-2,5 Duct cooler,circ (30021)
- LDC 125-600 Silencer (5190)
- VBC 125-2 Water heating batt (5457)
- ACO8A Auto Changeover panel (84291)

Documents

- Fans_Operating and Maintenance_instr_202341_CE_multilingual.pdf