

KBT 160E4 Thermo fan

Article Number: 77161

Variant : 230V 1~ 50Hz



Description

Max temperature of transported air 120°C

Speed-controllable

Integral thermal contacts

Low sound level

Weather protection for the motor is standard

Drain plug for liquids that accumulate in the casing is standard

The KBT fans have impellers manufactured from galvanised sheet steel with forward-curved blades. The casing is manufactured from double-skinned galvanised sheet steel and is insulated with 50 mm mineral wool.

The KBT fans have a swing-out door for easy inspection and service. The fan is isolated from the casing via connectors and anti-vibration dampers are incorporated into the base frame.

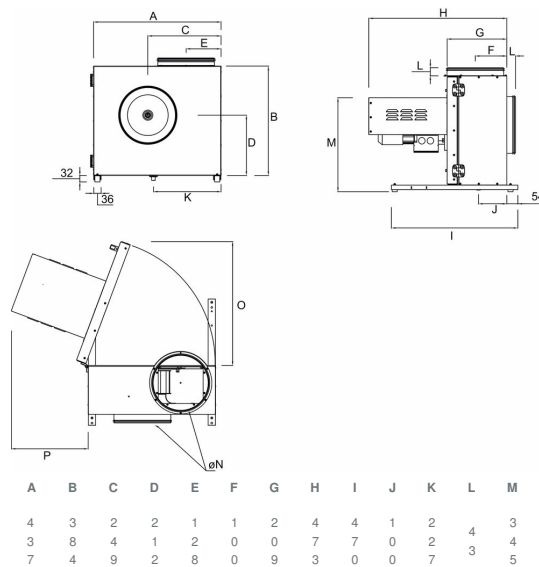
To protect the motors from overheating the KBT fans have integral thermal contacts with external leads for...

[Find more details in our online catalogue](#)

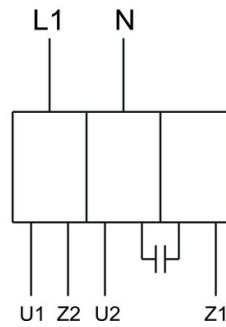
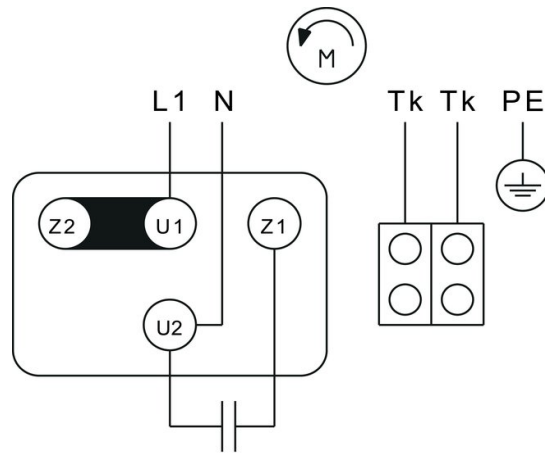
Technical parameters

Nominal data	
Voltage (Nominal)	230 V
Frequency	50 Hz
Phase(s)	1~
Input power	121 W
Input current	1.11 A
Impeller speed	1,476 r.p.m.
Air flow	max 0.231 m³/s
Temperature of transported air	max 120 °C
Max temperature of transported air, when speed controlled	120 °C
Sound data	
Sound pressure level at 4m (free field)	31 dB(A)
Protection/Classification	
Enclosure class, motor	IP54
Insulation class	F
Dimensions and weights	
Duct dimension: Circular, inlet	160 mm
Duct dimension: Circular, outlet	160 mm
Weight	24.2 kg
Others	
Duct connection type	Circular
Color name, casing	Grey
Motor type	AC

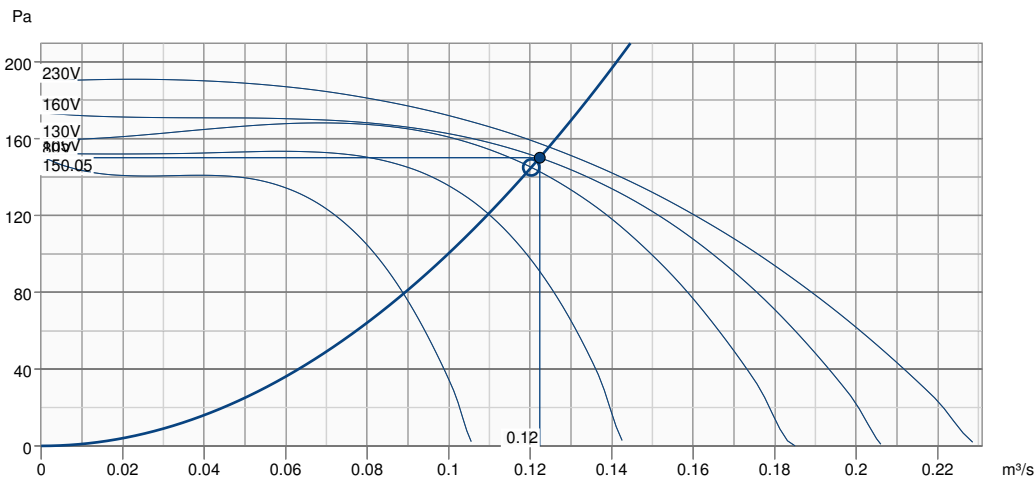
Dimension



Wiring



Performance curve



Hydraulic data

Required air flow	0.12 m ³ /s
Required static pressure	145 Pa
Working air flow	0.12 m ³ /s
Working static pressure	150 Pa
Air density	1.204 kg/m ³
Power	79.5 W
Fan control - RPM	1421 rpm
Current	0.52 A
SFP	0.649 kW/m ³ /s
Control voltage	160.0 V
Supply voltage	160 V

Accessories

CO2RT-R-D Transmitter (6993)	FRQ5S-E-6A (37421)
REU 1.5 Speed control (5004)	REV-5POL/05 ON/OFF (33979)
RT 0-30 Room Thermostat (5151)	RTRE 1.5 Speed control (5008)
S-ET 10 Motor Protection (161199)	FRQS-E-6A (37419)
Presence detector/IR24-P (6995)	S-ET 10 Motor Protection (5154)
S-ET 10E Motor Protection (5155)	

Documents

[Fans_Operating and Maintenance_instr_202341_CE_multilingual.pdf](#)
[EC Declaration of Conformity KBT, KBR, MUB-K, MUB-T, MUB-T-S, DVV](#)