



EC-vent Electronic

Intelligent control for EC fans

- User friendly
- Multiple control options
- Demand-controlled operation
- Additional control of accessories

[Find more details in our online catalogue.](#)

Multiple sensor connection

The EC Vent is ready for connection to CO₂, moisture, temperature, presence and pressure sensors.

Lowers energy consumption

The unit's multiple sensor options can detect precise ventilation requirements maximising the efficient use of energy.

User-friendly menu

The EC Vent allows for a number of control options and is straightforward to operate via a simple, user-friendly menu.

Additional control

EC Vent can also be used for additional control a heater or an extra fan via 0-10 V signal. EC Vent also can be connected to the BMS via Modbus.

The EC Vent is an intelligent control that when combined with EC fans, simplifies demand-controlled ventilation. It makes the whole process easy to set up and operate, maximising comfort and reducing energy consumption. The unit is ready for connection to CO₂, moisture, temperature, presence and pressure sensors. This allows for a number of control options that enable highly responsive ventilation. A single parameter such as temperature can be controlled at several different locations, or various parameters can be combined. These can control the fan directly or can be used as a complement to the weekly schedule and/or manual control to boost the ventilation rate if required.

The EC Vent is made up of a *EC Vent Control board* that should be placed near the fan and a *EC Vent Room unit* that will normally be located in a room with easy user access. The units are connected to each other via a low-voltage cable.

Technical parameters

Nominal data

Voltage (nominal)	230	V
Frequency	50; 60	Hz
Phases	1~	

Protection/Classification

Enclosure class	IP44
-----------------	------

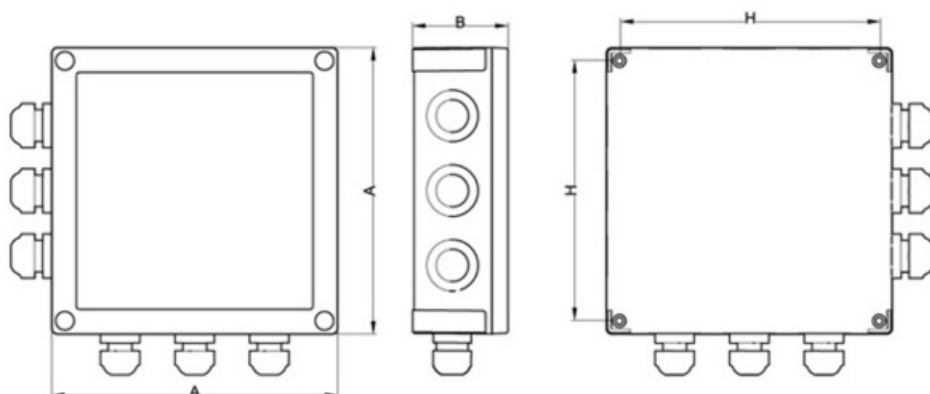
Ambient and duct temperature

Permitted ambient temperature	-20 to 50	°C
Current to sensor, 24VDC	150	mA
Sensor Input	0..10V / PT1000 / DI	
Control signal	PWM / 0..10V / 24V	

Dimensions and weights

Weight	0.95	kg
--------	------	----

Dimension



A	B	c/c H
180,0	60,0	164,0

Accessories

- EC-Vent Room Unit (3018)
- HR1 Room Humidistat (215150)
- RMK (153549)
- TG-R5/PT1000 Room sensor 0-50° (5404)
- RVAZ4 24A Actuator 0-10V (9862)
- TTC-2000 Temp. control 25A (5171)
- Presence detector/IR24-P (6995)
- Sensor DSG 1000, 0...1000Pa (78662)
- TG-UH3/PT1000 Wall sensor (35203)
- TG-KH/PT1000 Duct sensor (202705)

Documents

- EC-VENT INSTALLATION INSTRUCTIONS_CE_GB (A004).PDF
- EC-Vent User Manual GB (A005).pdf
- MODBUS FOR EC-VENT_USER MANUAL.PDF
- EC-VENT_IB_PROTOKOLL.PDF
- EC CONTROL PANEL WIR DIAGR CB.PDF
- EC-Vent_FRQ.pdf