

EC-Basic-H humidity

Humidity controller, 100-240VAC, 50/60 Hz

Item Number: [24807](#)

Variant: 265V 50/60Hz

- Simple to install, connect and set up
- 50/60HZ mains option
- Can be used with all 220V single phase and 380V three phase EC fans
- Built in sensor
- Conforms to CE standards EN 60730-1, EN 61000-6-3, EN 61000-6-1
- Demand control made simple

The controller compares room humidity with an adjustable set point (SW1) and regulates a 0..10 V output signal applied to a ventilator with a proportional algorithm in direct or reverse action based on jumper JP1 setting:

JP1 closed 1-2 = reverse action

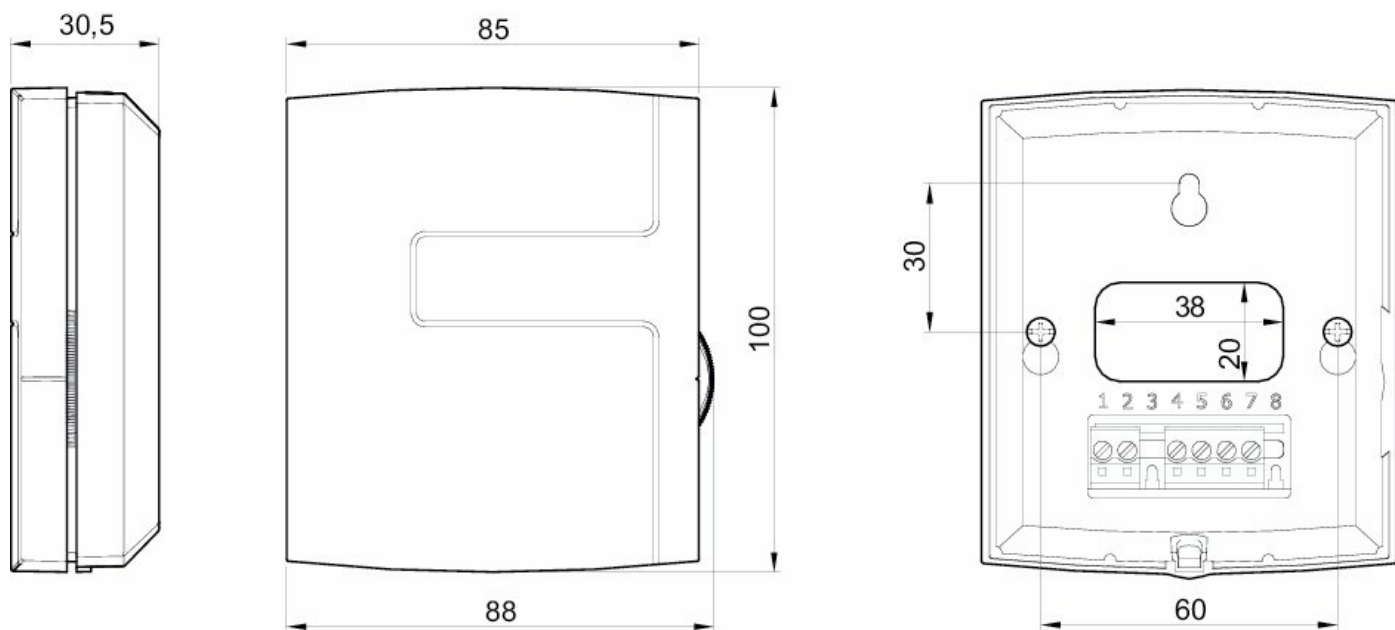
JP1 closed 2-3 = direct action



Technical parameters

Nominal data		
Voltage (Nominal)	265	V
Rated voltage	85 to 265	V
Frequency	50; 60	Hz
Input power	0	W
Temperature	-20 to 50	°C
Controller and Sensors		
Humidity measurement	0 to 100	%RH
Dimensions and weights		
Weight	0.137	kg

Dimension



Wiring

