

DHS Roof Fans

Centrifugal roof fan with horizontal discharge



- Available with AC motors for 50 and 60Hz
- Extensive range of accessories

[Find more details in our online catalogue](#)

Flexibility

The DHS fans are intended to use for **extract** air with **horizontal discharge**.

The fans are designed to handle high volumes at medium pressure without generating excessive noise.

Reliability

The casing made out of **seawater resistant aluminium** with an inside **galvanised steel frame** is hard-wearing.

The combination of casing and motor construction ensures to minimize the need for maintenance of the fans and allows long **continuous operation**.

Performance

The sound optimized impellers together with **high efficient** external rotor motors are designed to ensure high-level performance to **minimize power consumption** and **maximize efficiency**.

Accessories

DHS fans can be selected together with variety types of **accessories** as roof sockets, tilting devices, dampers, etc.

Certifications



Ecodesign (ErP) compliant

Features

Construction

The **Casing** is made from **sea water resistant aluminium**. **Base frame** manufactured from **galvanised steel** with integrated inlet cone. Integrated bird guard manufactured from powder coated, galvanised steel or sea water resistant aluminium.

Impeller

The DHS fans use **radial** impeller with **backward curved blades**. These are made out of high-performance composite material or aluminum, dynamically **balanced** and paired with corresponding **external rotor** motors.

Motor

DHS fans are delivered with **AC motors**. Motors are suitable for **50Hz** and **60Hz**.

Motor protection

Depending on the type, **AC** motors have an **integrated** thermal protection with manual (electrical) reset, prewired integral **thermocontact TK** or **thermistor PTC** with leads to a **motor protection device**.

Control

AC motors can be controlled by **5-step, stepless** speed regulator, **D/Y** switch or **frequency converter**.

Installation

The DHS fans are for **outside installation**.

Technical parameters

Nominal data

Voltage (nominal)	400	V
Frequency	50	Hz
Phases	3~	
Motor circuit connection	D; Y	
Input power	697	W
Input power kW	0.697	kW
Input current	1.51	A
Impeller speed	887	rpm
Air flow	max 2.2203	m³/s
Temperature of transported air	max 60	°C
Max temperature of transported air, when speed controlled	60	°C

Protection/Classification

Enclosure class, motor	IP54
Insulation class	F

Data according to ErP

ErP ready	ErP 2018
-----------	----------

Dimensions and weights

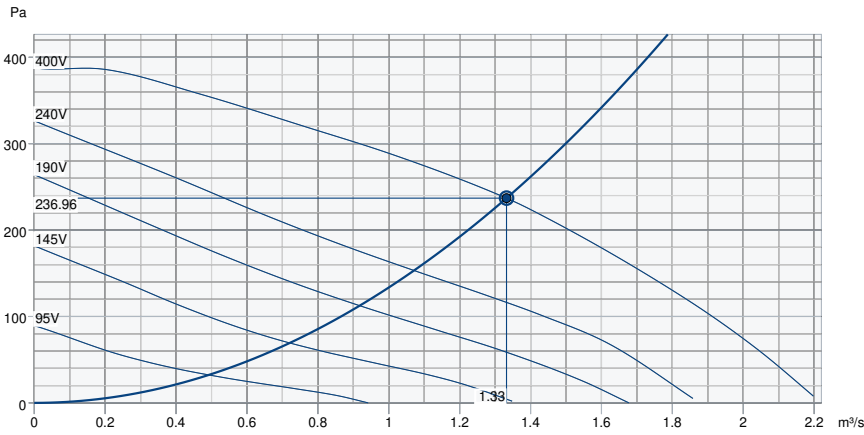
Weight	57.5	kg
--------	------	----

Others

Motor type	AC
------------	----

Performance

Performance curve



Hydraulic data

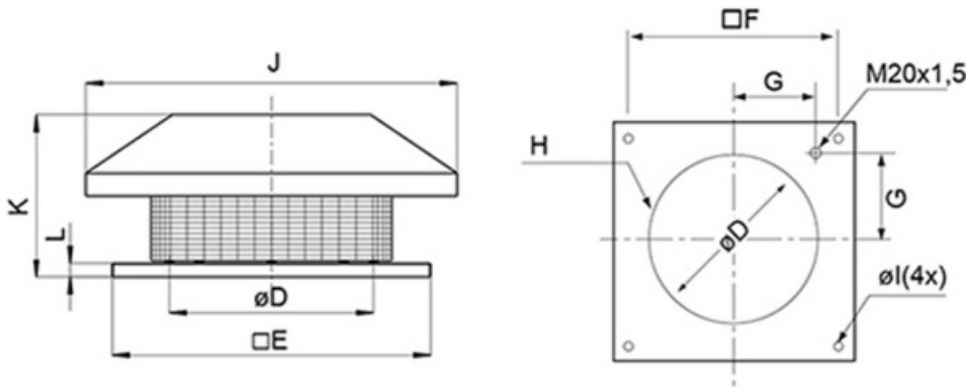
Required air flow	1.33 m³/s
Required static pressure	237 Pa
Working air flow	1.33 m³/s
Working static pressure	237 Pa
Air density	1.204 kg/m³
Power	695.9 W
Fan control - RPM	887 rpm
Current	1.50 A
SFP	0.522 kW/m³/s
Supply voltage	400 V

Sound power level		63	125	250	500	1k	2k	4k	8k	Total
Inlet	dB(A)	34	54	66	67	67	61	56	51	72
Outlet	dB(A)	36	55	67	69	69	62	58	53	74

Ecodesign

Product	
Trade name	Systemair
Product name	DHS 560DS sileo roof fan
Ecodesign	
ErP compliance	2016/2018
Unit category	NRVU
Drive	External MSD or VSD
Unit type	UVU
Heat recovery type	None
Temperature ratio (UVU)	Not applicable
qv nom	1.3322 m ³ /s
P nom	0.696 kW
Ps nom	237 Pa
Fan efficiency	45.4 %
External Leakage	0 %
Sound power (LWA)	74 dB(A)

Dimension

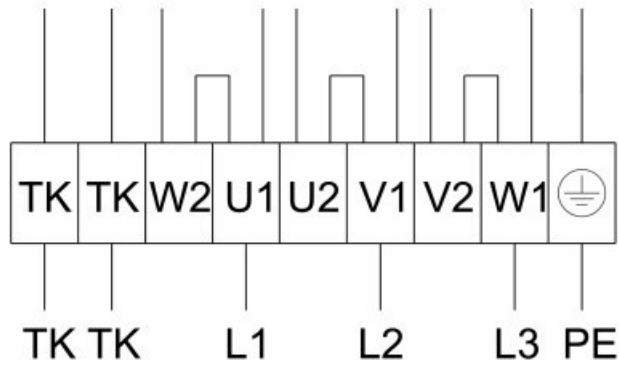


* diameter D refers to scREW-hole-circuit H

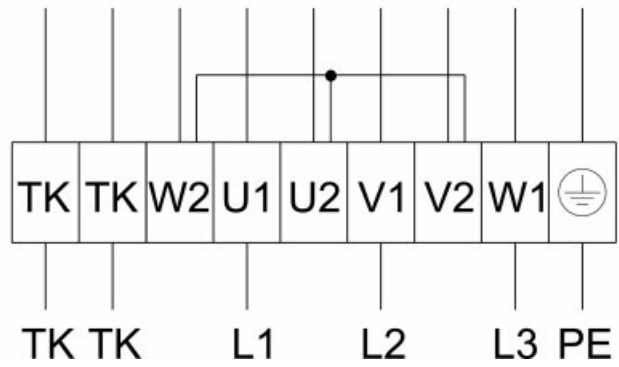
DHS/DHS sileo	øD	□E	□F	G	H	øI	J	K	L
560-630	605	939	750	293	8xM8	14	□1100	535	30

Wiring

Delta connection



Star connection



Accessories

- ASF 560/630 inlet flange DVS (9570)
- ASS 560/630 flex. inl.con. DVS (9577)
- Frequency converter FRQS-4A (36231)
- REV-5POL/07-7,5kW R/Y (33980)
- RTRD 2 Speed Cont. Systemair (5941)
- SSD 560/630 socket silencer (9564)
- TDA DV 560/630 Adapter (304815)
- HR1 Room Humidistat (215150)
- Presence detector/IR24-P (6995)
- SDS 560/630 slant. roof socket (3781)
- BTG 940 Back Draft Damper (5096)
- FDS-L 560/630 flat roof socket (95283)
- TG 940-1200 Roof Curb (5090)
- VKS 560/630 Back draft damper (9545)
- ASK 560/630 inflow box SSD (300908)
- Frequency converter FRQ5S-4A (36233)
- Motor protect. switch S-DT 16E (161207)
- REV-9POL/12-7,5kW R/Y (33981)
- RTRDU 2 Speed contr. Systemair (5945)
- Step switch S-DT2SKT, Y/D (2697)
- DTV500A (96807)
- MicroREX D21 Plus Time Switch (17822)
- RT 0-30 Room Thermostat (5151)
- SSS 560 slant. socket silencer (30079)
- FDS 560/630 flat roof socket (9552)
- FTG 560/630 Tilting device (30509)
- VKM 560/630 Back draft damper (9557)

Documents

- [MANUAL_ROOF_FANS_EN_002_.PDF](#)
- [UKCA DECLARATION OF CONFORMITY_ROOF FANS_EN_002.PDF](#)