

DHS 560DS sileo

Centrifugal roof fan, horizontal discharge

Item Number: 36130

Variant: 400V 3~ 50Hz



- High efficiency
- Speed-controllable
- Integral thermal contacts
- Excellent sound level
- Extensive range of accessories
- Maintenance-free and reliable

The DVS/DHS/DVSI sileo is well suited for applications requiring high air volumes at medium pressure and very low noise levels. These models have 3D profiled impellers with backward curved blades and external rotor motors. All motors are speed controllable over the voltage. For speed controlling of the DVS/DHS/DVSI sileo roof fans with a frequency converter a type with all pole sine filter is needed! The motors are suspended on effective vibration dampers.

DVS/DHS/DVSI sileo ...E4 / E6 / EZ / EV: 1~ motor

DVS/DHS/DVSI sileo ...DV / DS: 3~ with Y/D-connection for 2-speeds

To protect the motors from overheating the sileo range motors up to size 311 are equipped with integrated thermal contacts with manual reset in acc. with EN 60335-2-80. From size 355 with external leads for connection to a motor protection device. The casing is made from aluminum and the base frame from galvanized steel. Suitable for coastal applications. The impellers of the sileo types are manufactured from high-performance composite material with highly efficient 3D fan blade profile technology.

DVS sileo with vertical outlet

DHS sileo with horizontal outlet

DVSI sileo has a 50 mm mineral wool insulation for lower noise levels.



Technical parameters

Nominal data		
Voltage (nominal)	400	V
Frequency	50	Hz
Phase(s)	3~	
Motor circuit connection	D; Y	
Input power	697	W
Input current	1.51	A
Impeller speed	885	r.p.m.
Air flow	max 8,039	m³/h
Temperature of transported air	max 60	°C

Max temperature of transported air, when speed controlled	60 °C
---	-------

Sound data

Sound pressure level at 10m (free field)	37 dB(A)
Sound pressure level at 4m (free field)	45 dB(A)

Protection/Classification

Enclosure class, motor	IP54
Insulation class	F

Data according to ErP

ErP ready	ErP 2016; ErP 2018
-----------	--------------------

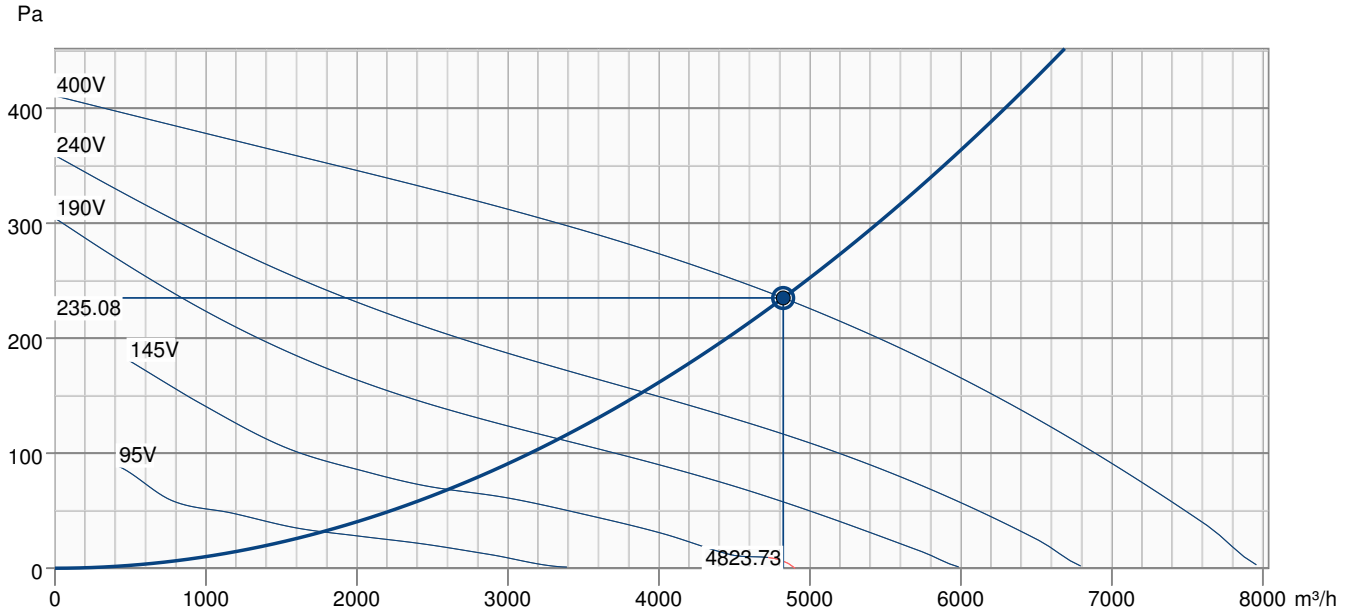
Dimensions and weights

Weight	57.5 kg
--------	---------

Others

Motor type	AC
------------	----

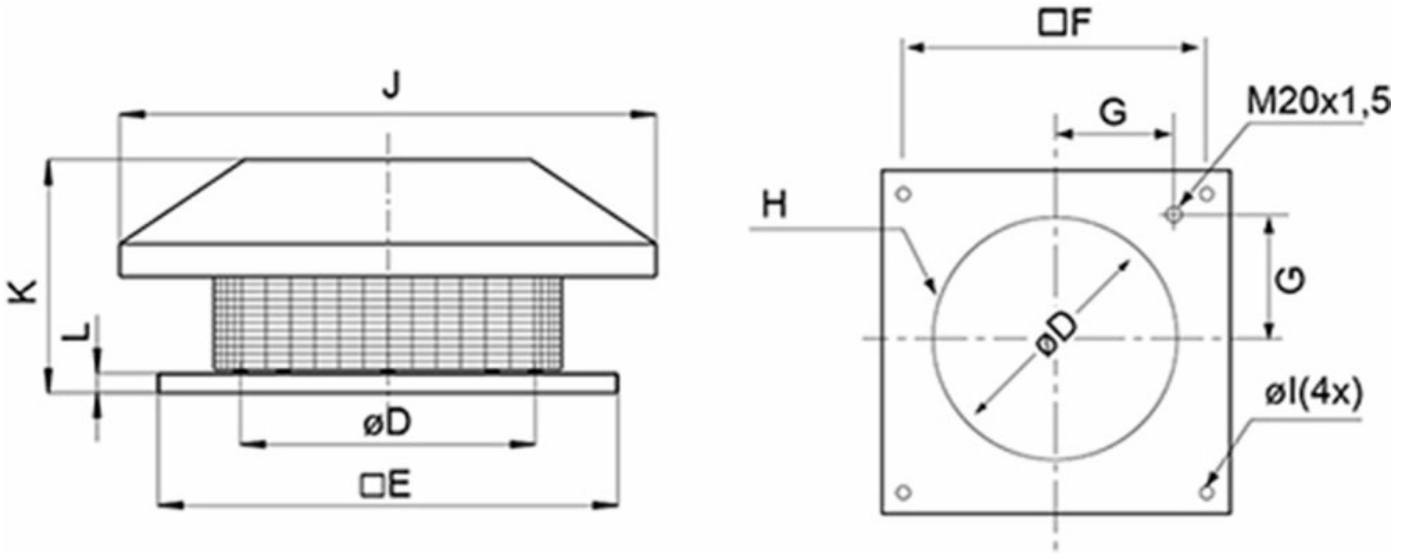
Performance curve



Hydraulic data

Required air flow	4823 m³/h
Required static pressure	235 Pa
Working air flow	4824 m³/h
Working static pressure	235 Pa
Air density	1.204 kg/m³
Power	697.5 W
Fan control - RPM	885 rpm
Current	1.51 A
SFP	0.521 kW/m³/s
Control voltage	400.0 V
Supply voltage	400 V

Dimension

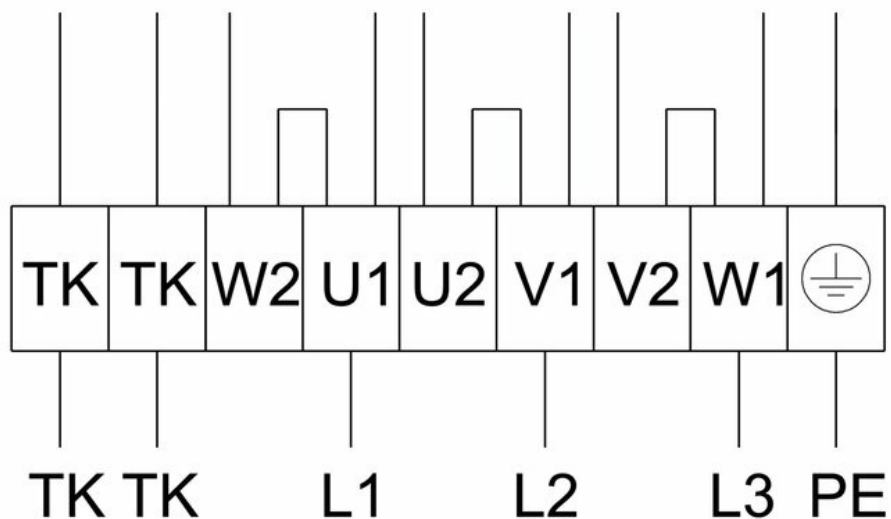


* diameter D refers to screw-hole-circuit H

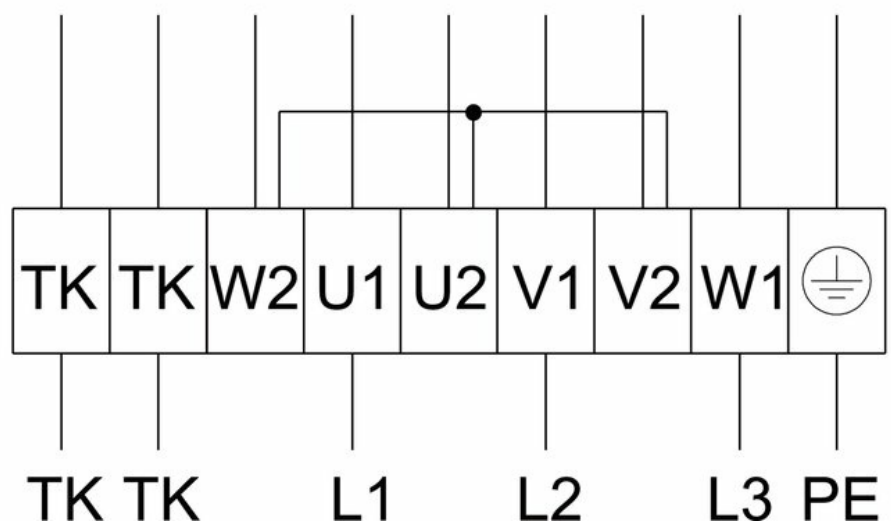
DHS/DHS silo	øD	□E	□F	G	H	øl	J	K	L
560-630	605	939	750	293	8xM8	14	□1100	535	30

Wiring

Delta connection



Star connection



Acoustic

Mid-frequency band, Hz

	Hz	Tot	63	125	250	500	1k	2k	4k	8k
LwA Inlet	dB(A)	65	36	54	58	60	59	56	51	44
LwA Surrounding	dB(A)	67	38	56	60	62	61	58	53	46

With SSD 560/630

LwA Inlet	dB(A)	56	45	44	46	44	38	30	27	26
-----------	-------	----	----	----	----	----	----	----	----	----

Measuring point: $qv = 1,34 \text{ m}^3/\text{s}$, $Ps = 235 \text{ Pa}$

Ecodesign

Product	
Trade name	Systemair
Product name	DHS 560DS sileo roof fan
Ecodesign	
ErP compliance	2016/2018
Unit category	NRVU
Drive	External MSD or VSD
Unit type	UVU
Heat recovery type	None
Temperature ratio (UVU)	Not applicable
qv nom	1.34 m ³ /s
P nom	0.697 kW
Ps nom	235 Pa
Fan efficiency	45 %
External Leakage	0 %
Sound power level LWA	67 dB(A)

Accessories

- ASF 560/630 inlet flange DVS (9570)
- ASS 560/630 flex. inl.con. DVS (9577)
- DTV500A (96807)
- FRQ5S-4A+LED V2 (36233)
- MicroREX D21 Plus Time Switch (17822)
- REV-9POL/12 ON/OFF (33981)
- RTRD 2 Speed Cont. Systemair (5941)
- S-DT 16 Motor Protection (161206)
- S-DT2SKT Two speed switch Y/D (2697)
- T 120 Timer (5165)
- VKM 560/630 Back draft damper (9557)
- FDS-L 560/630 flat roof socket (95283)
- Presence detector/IR24-P (6995)
- SSS 560 slant. socket silencer (30079)
- BTG 940 Back Draft Damper (5096)
- ASK 560/630 inflow box SSD (300908)
- CO2RT-R-D Transmitter (6993)
- FDS 560/630 flat roof socket (9552)
- FTG 560/630 Tilting device (30509)
- REV-5POL/07 ON/OFF (33980)
- RT 0-30 Room Thermostat (5151)
- RTRDU 2 Speed contr. Systemair (5945)
- S-DT 16E Motor Protection (161207)
- SSD 560/630 socket silencer (9564)
- TDA DV 560/630 Adapter (304815)
- VKS 560/630 Back draft damper (9545)
- FRQS-4A V2 (36231)
- SDS 560/630 slant. roof socket (3781)
- TG 940-1200 Roof Curb (5090)
- STDT 16E Motor Protection (5153)

Documents

-
-
-

Specification