

# DHS 400E6 sileo roof fan

Item Number: 37792

Variant: 230V 1~ 50Hz



- High efficiency
- Speed-controllable
- Integral thermal contacts
- Excellent sound level
- Extensive range of accessories
- Maintenance-free and reliable

The DVS/DHS/DVSI sileo is well suited for applications requiring high air volumes at medium pressure and very low noise levels. These models have 3D profiled impellers with backward curved blades and external rotor motors. All motors are speed controllable over the voltage. For speed controlling of the DVS/DHS/DVSI sileo roof fans with a frequency converter a type with all pole sine filter is needed! The motors are suspended on effective vibration dampers.

DVS/DHS/DVSI sileo ...E4 / E6 / EZ / EV: 1~ motor

DVS/DHS/DVSI sileo ...DV / DS: 3~ with Y/D-connection for 2-speeds

To protect the motors from overheating the sileo range motors up to size 311 are equipped with integrated thermal contacts with manual reset in acc. with EN 60335-2-80. From size 355 with external leads for connection to a motor protection device. The casing is made from aluminum and the base frame from galvanized steel. Suitable for coastal applications. The impellers of the sileo types are manufactured from high-performance composite material with highly efficient 3D fan blade profile technology.

DVS sileo with vertical outlet

DHS sileo with horizontal outlet

DVSI sileo has a 50 mm mineral wool insulation for lower noise levels.



## Technical parameters

Norminal data		
Voltage (Nominal)	230	V
Frequency	50	Hz
Phase(s)	1~	
Input power	111	W
Input current	0.48	A
Impeller speed	871	r.p.m.
Air flow	max 0.672	m <sup>3</sup> /s
Capacitance of capacitor	4	μF
Temperature of transported air	max 60	°C
Max temperature of transported air, when speed controlled	60	°C

**Sound data**

Sound pressure level at 10m (free field)	26	dB(A)
Sound pressure level at 4m (free field)	34	dB(A)

**Protection/Classification**

Enclosure class, motor	IP54
Insulation class	F

**Data according to ErP**

ErP ready	ErP 2016; ErP 2018
-----------	--------------------

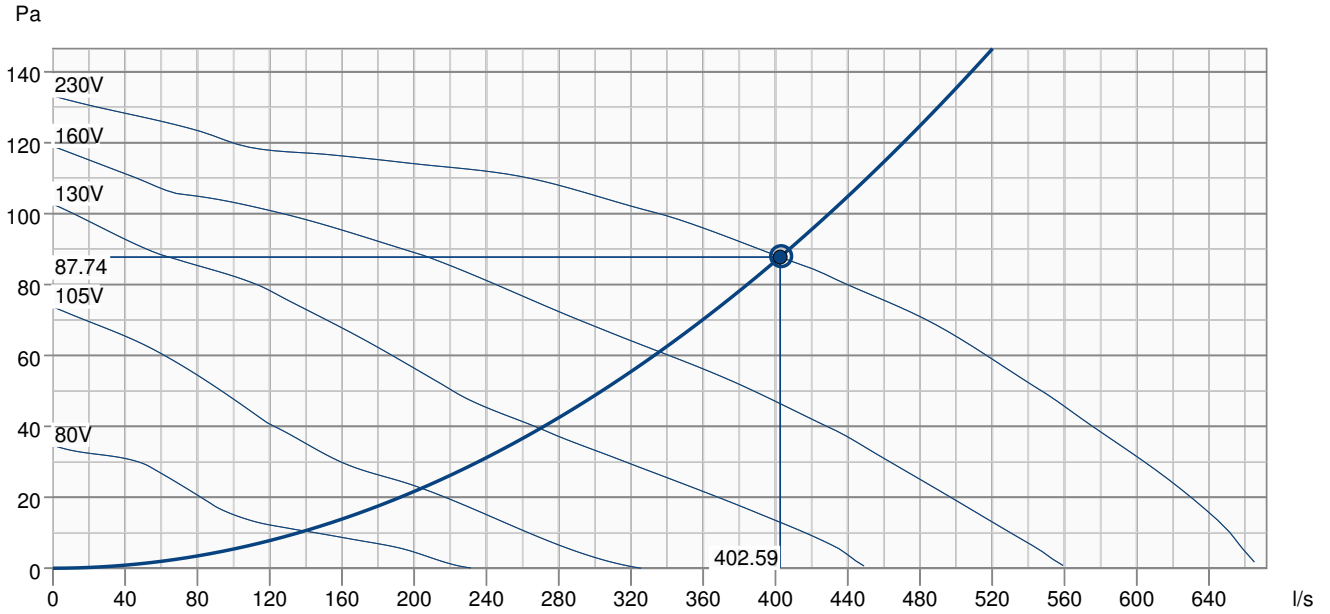
**Dimensions and weights**

Weight	20.8	kg
--------	------	----

**Others**

Motor type	AC
------------	----

## Performance curve

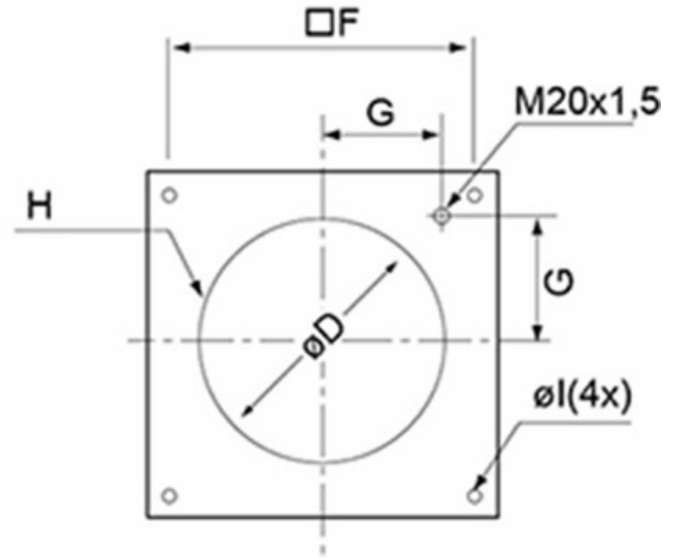
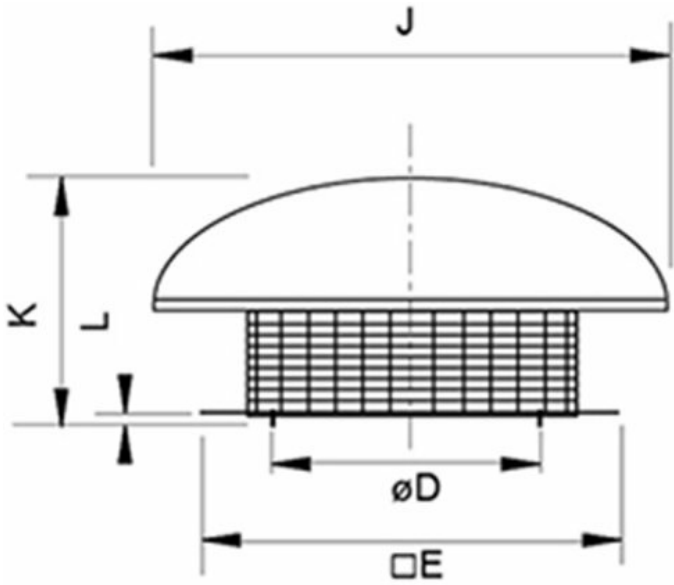


### Hydraulic data

Required air flow	403.14 l/s
Required static pressure	88 Pa
Working air flow	402.59 l/s
Working static pressure	88 Pa
Air density	1.204 kg/m <sup>3</sup>
Power	110.1 W
Fan control - RPM	868 rpm
Current	0.48 A
SFP	0.273 kW/m <sup>3</sup> /s
Control voltage	230.0 V
Supply voltage	230 V

Sound power level		63	125	250	500	1k	2k	4k	8k	Total
Outlet	dB(A)	31	44	52	53	54	51	47	35	59

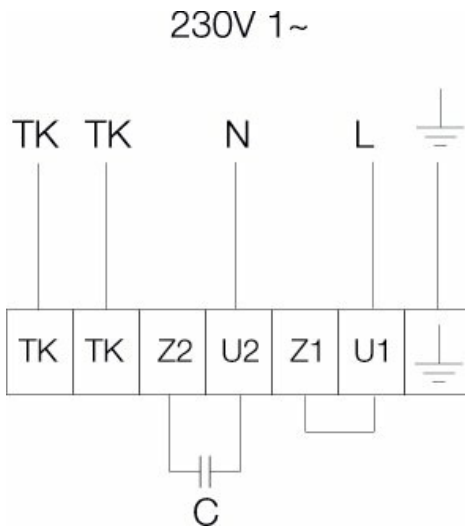
## Dimension



\* diameter D refers to screw-hole-circuit H

DHS/DHS sileo	øD	□E	□F	G	H	øl	J	K	L
355-400	438	595	450	200	6xM8	12	ø720	330	30

## Wiring



## Acoustic

### Mid-frequency band, Hz

	Hz	Tot	63	125	250	500	1k	2k	4k	8k
LwA Inlet	dB(A)	57	39	49	49	54	46	42	48	31
LwA Surrounding	dB(A)	60	43	50	51	55	52	50	47	35
With SSD 355/400										
LwA Inlet	dB(A)	46	26	40	40	42	35	31	29	18

Measuring point:  $q_v = 0,40 \text{ m}^3/\text{s}$ ,  $P_s = 87 \text{ Pa}$

## Ecodesign

Product	
Trade name	Systemair
Product name	DHS 400E6 sileo roof fan
Ecodesign	
ErP compliance	2016/2018
Unit category	NRVU
Drive	External MSD or VSD
Unit type	UVU
Heat recovery type	None
Temperature ratio (UVU)	Not applicable
qv nom	0.403 m <sup>3</sup> /s
P nom	0.11 kW
Ps nom	87 Pa
Fan efficiency	32 %
External Leakage	0 %
Sound power level LWA	60 dB(A)