

AW 710E6 sileo Axial fan

Axial wall fan

Item Number: [34142](#)

Variant: 230V 1~ 50Hz - D (Delta)

- speed controllable by voltage reduction, plus option of 2-step operation by D/Y switching for 400V versions
- inlet protection guard up to size 630 (from size 710-1000 available as an accessory)
- safe and maintenance free operation
- can be installed in any mounting position
- electric connection via terminal box mounted on the motor
- single phase fans are supplied with capacitor

Axial fans of the AW sileo range do have a bionic shape of the fan blade, and are driven by external rotor motors. The AW range is equipped with a square wall plate, galvanized steel and powder coated in black (RAL9005). Sizes 200-630 include are protection guard on the intake side. Protection guards for the sizes 710-1000 are available as an accessory. The axial impeller is manufactured from pressure die cast aluminum and also painted in black (RAL9005). The impeller is balanced dynamically in two levels in accordance with DIN ISO 1940 part 1, quality G6.3.

The motors are equipped with thermal contacts for motor protection, with leads to be connected to a motor protection unit.



Technical parameters

Nominal data		
Voltage (Nominal)	230	V
Frequency	50	Hz
Phase(s)	1~	
Motor circuit connection	D	
Input power	950	W
Input current	4.4	A
Impeller speed	850	r.p.m.
Air flow	max 3.859	m ³ /s
Air flow at max. efficiency	2.454	m ³ /s
Specific ratio	1,000000	
Capacitance of capacitor	16	µF
Temperature of transported air	max 65	°C
Max temperature of transported air, when speed controlled	65	°C

Sound data

Sound pressure level at 1m	67 dB(A)
----------------------------	----------

Protection/Classification

Enclosure class, motor	IP54
------------------------	------

Insulation class	F
------------------	---

Data according to ErP

ErP ready	ErP 2018
-----------	----------

Measurement category	A
----------------------	---

Efficiency grade	42 η_{actual}
------------------	---------------------------

Efficiency, static	35.2 η_{statA}
--------------------	----------------------------

Target efficiency grade ErP2013	36 $\eta_{\text{target2013}}$
---------------------------------	-------------------------------

Target efficiency grade ErP2015	40 $\eta_{\text{target2015}}$
---------------------------------	-------------------------------

Dimensions and weights

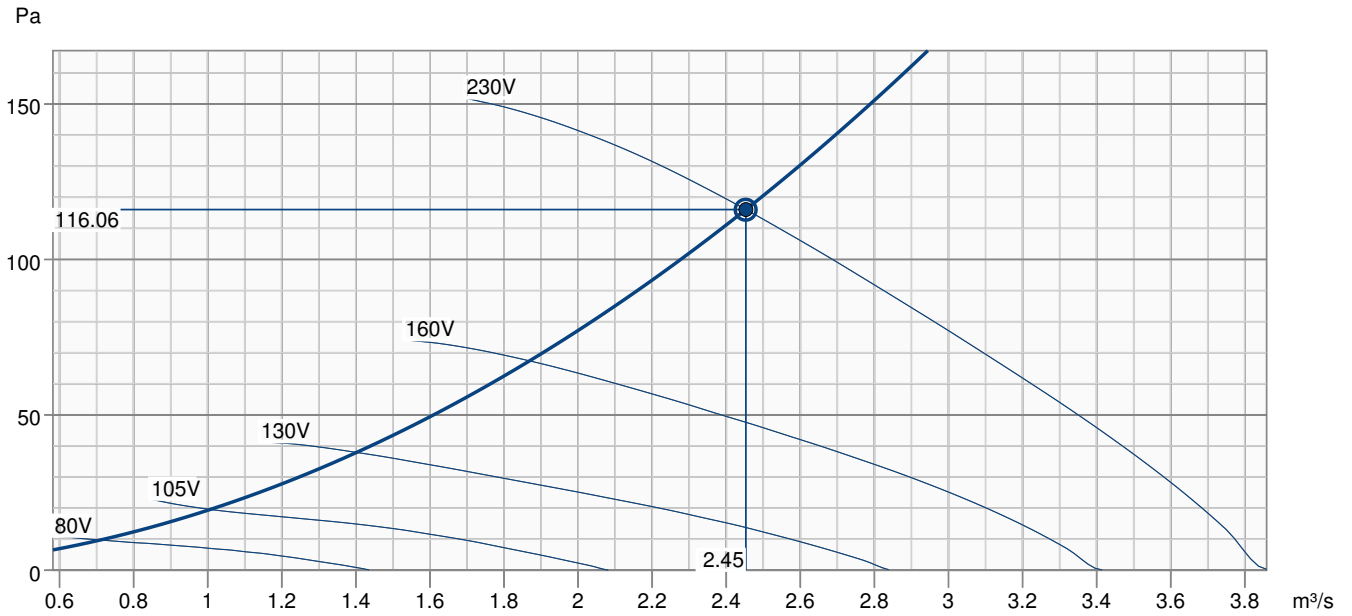
Weight	34 kg
--------	-------

Others

Color name, casing	Black
--------------------	-------

Motor type	AC
------------	----

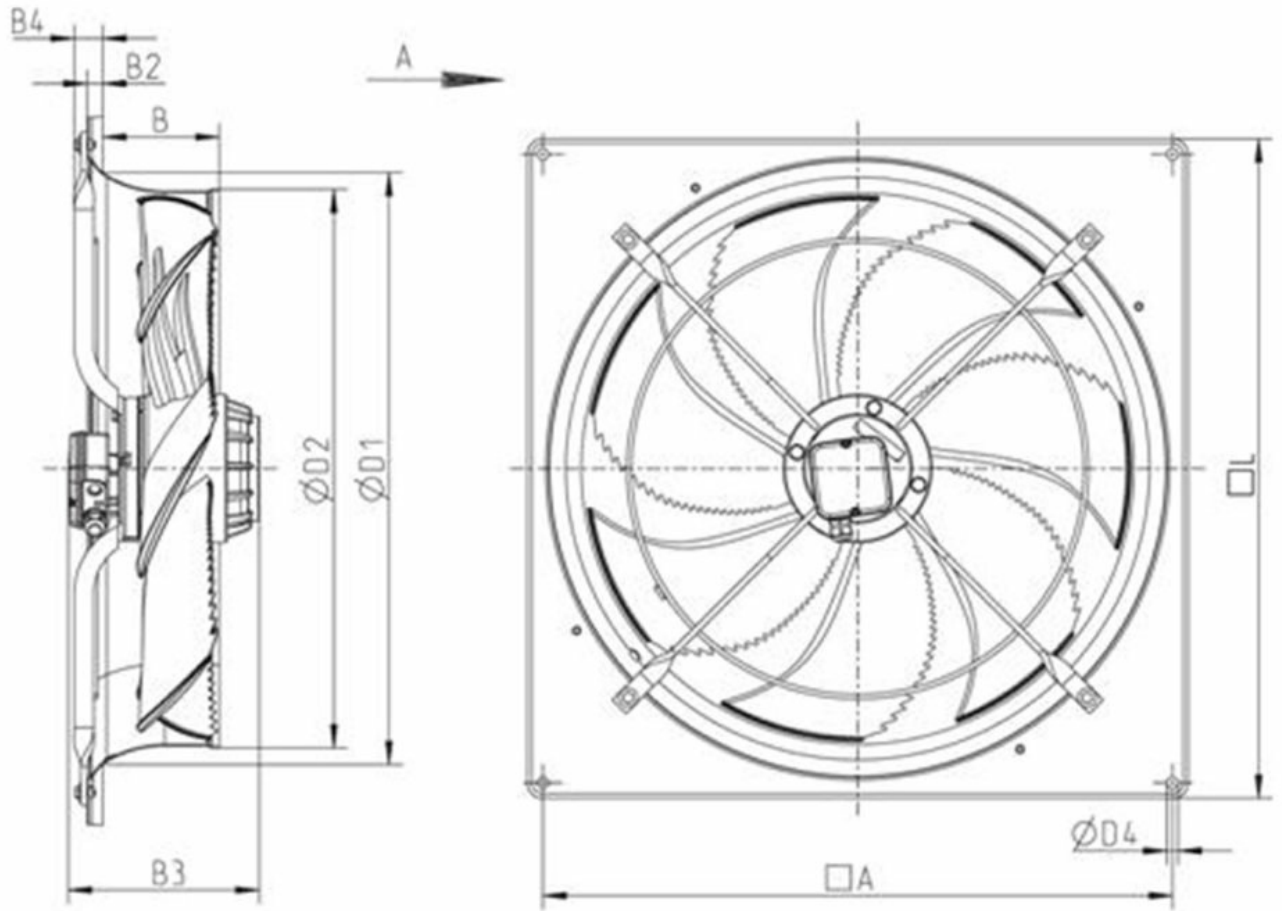
Performance curve



Hydraulic data

Required air flow	2.45 m³/s
Required static pressure	116 Pa
Working air flow	2.45 m³/s
Working static pressure	116 Pa
Air density	1.204 kg/m³
Power	839.7 W
Fan control - RPM	881 rpm
Current	3.79 A
SFP	0.342 kW/m³/s
Control voltage	230.0 V
Supply voltage	230 V

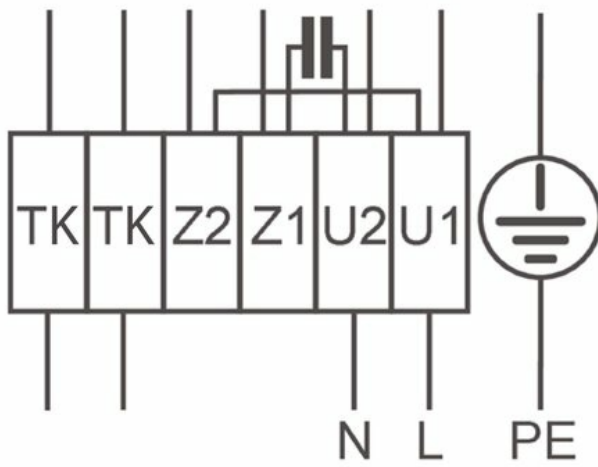
Dimension



	□A	B	B2	B3	B4	ØD1	ØD2	ØD4	□L
AW 710	810	150	20	272	37	763	720	14.5	850

Wiring

Linkslauf
Counter Clockwise rotation
Rotation á gauche



Ecodesign

Ecodesign 327	
Manufacturer	Systemair GmbH, Seehöfer Str. 45, DE-97944 Boxberg, Amtsgericht (court of registration) Mannheim, HRB 560437
Type	AW 710E6
Year of manufacture	See name plate of the fan
Air flow qv	2.4539 m ³ /s
Efficiency category	static
Efficiency grade N	42
Efficiency grade target N	40
Speed (rpm) n	881 r.p.m.
Pressure increase total psf	117 Pa
Power consumption Ped	840 W
Overall efficiency	35.2 %
Variable speed drive	No
Additional components	Components used to calculate the energy efficiency that are not apparent from the measurement category are detailed in the CE declaration.
Maintenance	Information on installation, operation and maintenance is provided in the operating instructions.
Recycling / disposal	Information on recycling and disposal is provided in the operating instructions.

Accessories

- REU 5 Speed control (5006)
- RTRE 5 Speed control (5010)
- SG AW-D BGr 071, RAL 9005 (30606)
- S-ET 10 Motor Protection (5154)
- STL 5 Speed controller (84271)
- REV-5POL/05 ON/OFF (33979)
- S-ET 10 Motor Protection (161199)
- RAW 630/710 Roof Cowl c/w BG (86531)
- SG AW 710 Guard grill (GFC) (3395)
- VK-71 Louvre shutter (5653)

Documents

- L-BAL-001-SYSTEMAIR.PDF
- EU_DECLARATION_OF_CONFORMITY_AXIAL_FANS_EN_003.PDF

Specification

The box with a quadratic wall plate made out of electroplated steel plate is powder-coated and black. The protection guard is included. The fan can be installed in each fitting position. The axial impeller with airfoil made out of electroplated steel plate is coated black. The actuation is carried out by a maintenance-free, speed-controlled external rotor motor. The fan is speed-controllable by a thyristor or a transformer alternatively at a 400V-Construction a 2-stepped operation through a D/Y-Connection is also possible. For protecting the motor integrated thermostat relays with completed lines to a motor protection device are built in. For annealing the motor is situated in the air flow. Impeller according to VDI 2060, quality category Q6,3 and dynamically weigh heavy in to levels.