

AW 630E6 sileo Axial fan

Axial wall fan

Item Number: [37414](#)

Variant: 230V 1~ 50Hz - D (Delta)

- speed controllable by voltage reduction, plus option of 2-step operation by D/Y switching for 400V versions
- inlet protection guard up to size 630 (from size 710-1000 available as an accessory)
- safe and maintenance free operation
- can be installed in any mounting position
- electric connection via terminal box mounted on the motor
- single phase fans are supplied with capacitor

Axial fans of the AW sileo range do have a bionic shape of the fan blade, and are driven by external rotor motors. The AW range is equipped with a square wall plate, galvanized steel and powder coated in black (RAL9005). Sizes 200-630 include are protection guard on the intake side. Protection guards for the sizes 710-1000 are available as an accessory. The axial impeller is manufactured from pressure die cast aluminum and also painted in black (RAL9005). The impeller is balanced dynamically in two levels in accordance with DIN ISO 1940 part 1, quality G6.3.

The motors are equipped with thermal contacts for motor protection, with leads to be connected to a motor protection unit.



Technical parameters

Normal data		
Voltage (Nominal)	230	V
Frequency	50	Hz
Phase(s)	1~	
Motor circuit connection	D	
Input power	600	W
Input current	2.8	A
Impeller speed	920	r.p.m.
Air flow	max 2.951	m³/s
Air flow at max. efficiency	1.9328	m³/s
Specific ratio	1,000000	
Capacitance of capacitor	14	µF
Temperature of transported air	max 70	°C
Max temperature of transported air, when speed controlled	70	°C

Sound data

Sound pressure level at 1m	67 dB(A)
----------------------------	----------

Protection/Classification

Enclosure class, motor	IP54
------------------------	------

Insulation class	F
------------------	---

Data according to ErP

ErP ready	ErP 2018
-----------	----------

Measurement category	A
----------------------	---

Efficiency grade	45.6 η_{actual}
------------------	-----------------------------

Efficiency, static	37.7 η_{statA}
--------------------	----------------------------

Target efficiency grade ErP2013	36 $\eta_{\text{target2013}}$
---------------------------------	-------------------------------

Target efficiency grade ErP2015	40 $\eta_{\text{target2015}}$
---------------------------------	-------------------------------

Dimensions and weights

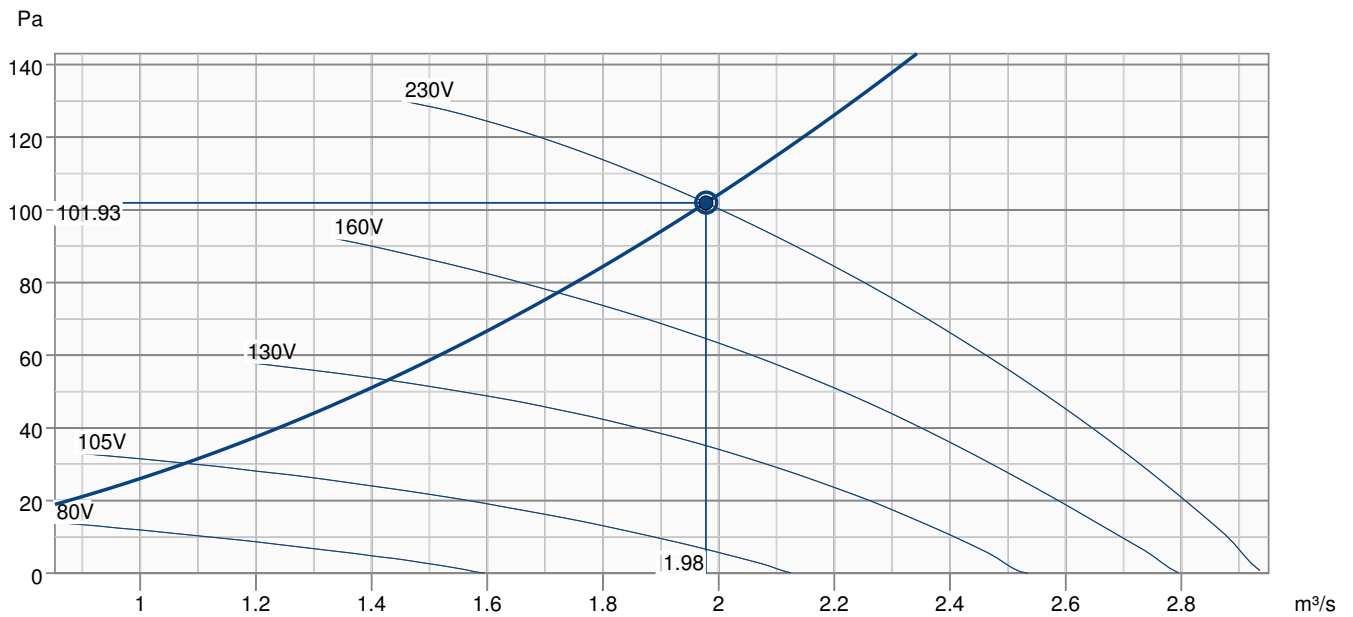
Weight	26.5 kg
--------	---------

Others

Color name, casing	Black
--------------------	-------

Motor type	AC
------------	----

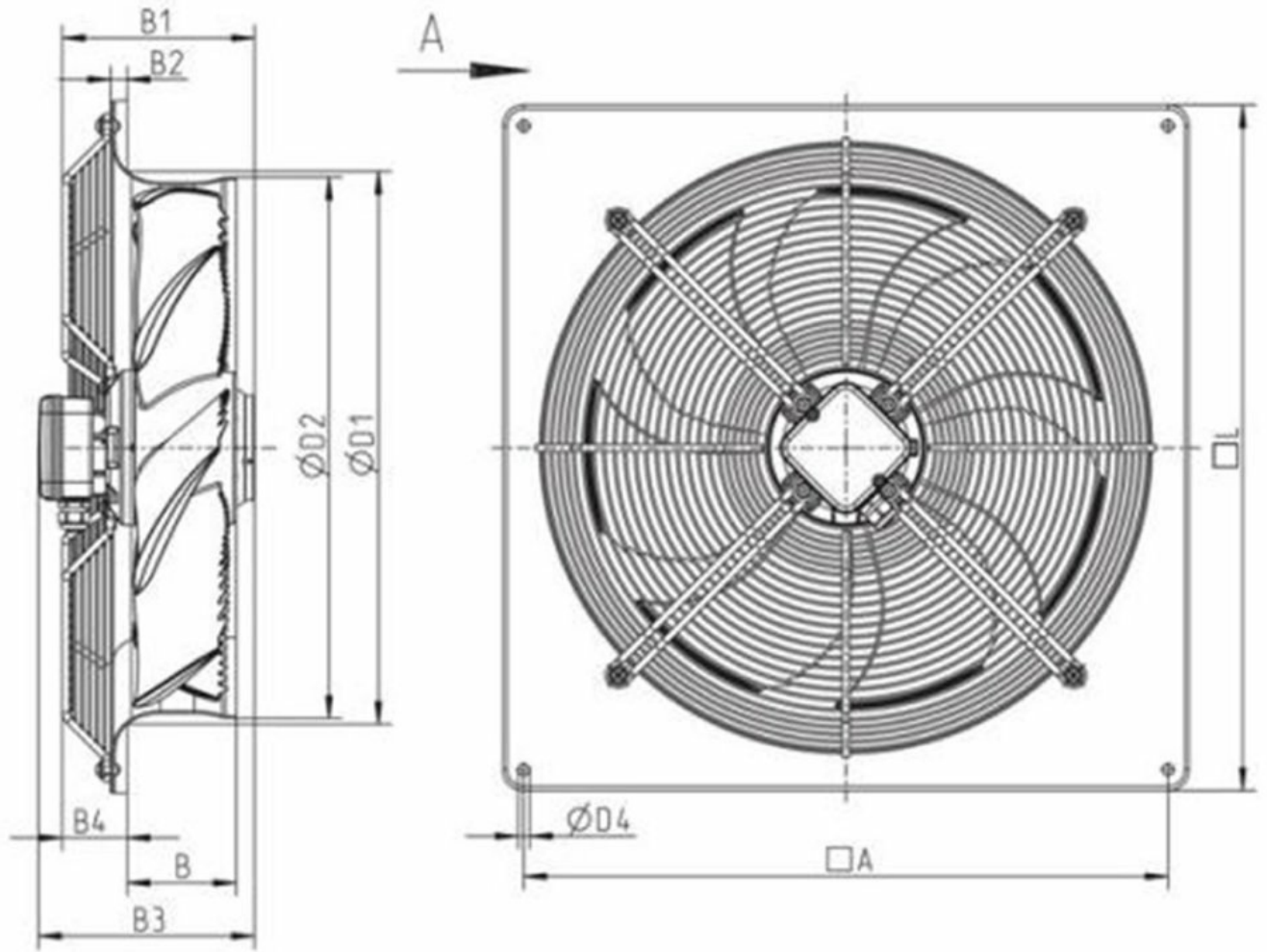
Performance curve



Hydraulic data

Required air flow	1.98 m³/s
Required static pressure	102 Pa
Working air flow	1.98 m³/s
Working static pressure	102 Pa
Air density	1.204 kg/m³
Power	565.5 W
Fan control - RPM	925 rpm
Current	2.60 A
SFP	0.286 kW/m³/s
Control voltage	230.0 V
Supply voltage	230 V

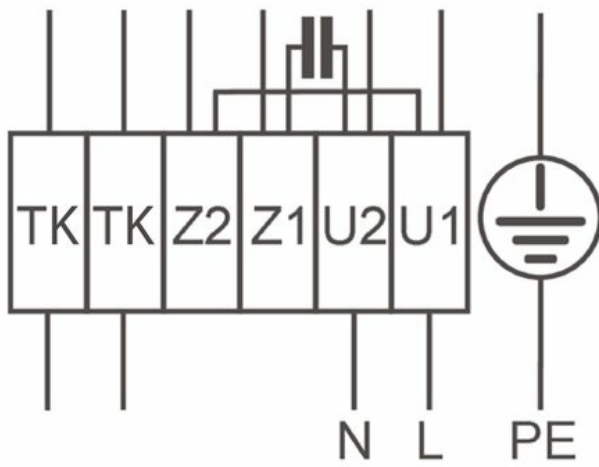
Dimension



	□A	B	B1	B2	B3	B4	ØD1	ØD2	ØD4	□L
AW 630	750	130	225	20	246	50	664	643	11	805

Wiring

Linkslauf
Counter Clockwise rotation
Rotation á gauche



Ecodesign

Ecodesign 327	
Manufacturer	Systemair GmbH, Seehöfer Str. 45, DE-97944 Boxberg, Amtsgericht (court of registration) Mannheim, HRB 560437
Type	AW 630E6
Year of manufacture	See name plate of the fan
Air flow qv	1.9328 m ³ /s
Efficiency category	static
Efficiency grade N	45.6
Efficiency grade target N	40
Speed (rpm) n	923 r.p.m.
Pressure increase total psf	106 Pa
Power consumption Ped	570 W
Overall efficiency	37.7 %
Variable speed drive	No
Additional components	Components used to calculate the energy efficiency that are not apparent from the measurement category are detailed in the CE declaration.
Maintenance	Information on installation, operation and maintenance is provided in the operating instructions.
Recycling / disposal	Information on recycling and disposal is provided in the operating instructions.

Accessories

- REE 4 Speed control (5317)
- REV-5POL/05 ON/OFF (33979)
- S-ET 10 Motor Protection (161199)
- RAW 630/710 Roof Cowl c/w BG (86531)
- STL 5 Speed controller (84271)
- REU 5 Speed control (5006)
- RTRE 5 Speed control (5010)
- SG AW-D BGr 065, RAL 9005 (30605)
- S-ET 10 Motor Protection (5154)
- VK-63 Louvre shutter (5651)

Documents

- L-BAL-001-SYSTEMAIR.PDF
- EU_DECLARATION_OF_CONFORMITY_AXIAL_FANS_EN_003.PDF
- installation variations_1_AR_AW.pdf

Specification

Axial fans of the AW sileo range do have a bionic shape of the fan blade, and are driven by external rotor motors. The AW range is equipped with a square wall plate, galvanized steel and powder coated in black (RAL9005). The protection guard at the inlet side is powder coated in black. The axial impeller is manufactured from pressure die cast aluminum and is powder coated in black. The impeller is balanced dynamically in two levels in accordance with DIN ISO 1940 part 1, quality G6.3. The motors are equipped with thermal contacts for motor protection, with leads to be connected to a motor protection unit, for example Systemair unit S-ET.